

[MS-QSSWS]:

Search Query Shared Services Protocol

Intellectual Property Rights Notice for Open Specifications Documentation

- **Technical Documentation.** Microsoft publishes Open Specifications documentation (“this documentation”) for protocols, file formats, data portability, computer languages, and standards support. Additionally, overview documents cover inter-protocol relationships and interactions.
- **Copyrights.** This documentation is covered by Microsoft copyrights. Regardless of any other terms that are contained in the terms of use for the Microsoft website that hosts this documentation, you can make copies of it in order to develop implementations of the technologies that are described in this documentation and can distribute portions of it in your implementations that use these technologies or in your documentation as necessary to properly document the implementation. You can also distribute in your implementation, with or without modification, any schemas, IDLs, or code samples that are included in the documentation. This permission also applies to any documents that are referenced in the Open Specifications documentation.
- **No Trade Secrets.** Microsoft does not claim any trade secret rights in this documentation.
- **Patents.** Microsoft has patents that might cover your implementations of the technologies described in the Open Specifications documentation. Neither this notice nor Microsoft's delivery of this documentation grants any licenses under those patents or any other Microsoft patents. However, a given Open Specifications document might be covered by the Microsoft [Open Specifications Promise](#) or the [Microsoft Community Promise](#). If you would prefer a written license, or if the technologies described in this documentation are not covered by the Open Specifications Promise or Community Promise, as applicable, patent licenses are available by contacting iplg@microsoft.com.
- **License Programs.** To see all of the protocols in scope under a specific license program and the associated patents, visit the [Patent Map](#).
- **Trademarks.** The names of companies and products contained in this documentation might be covered by trademarks or similar intellectual property rights. This notice does not grant any licenses under those rights. For a list of Microsoft trademarks, visit www.microsoft.com/trademarks.
- **Fictitious Names.** The example companies, organizations, products, domain names, email addresses, logos, people, places, and events that are depicted in this documentation are fictitious. No association with any real company, organization, product, domain name, email address, logo, person, place, or event is intended or should be inferred.

Reservation of Rights. All other rights are reserved, and this notice does not grant any rights other than as specifically described above, whether by implication, estoppel, or otherwise.

Tools. The Open Specifications documentation does not require the use of Microsoft programming tools or programming environments in order for you to develop an implementation. If you have access to Microsoft programming tools and environments, you are free to take advantage of them. Certain Open Specifications documents are intended for use in conjunction with publicly available standards specifications and network programming art and, as such, assume that the reader either is familiar with the aforementioned material or has immediate access to it.

Support. For questions and support, please contact dochelp@microsoft.com.

Preliminary Documentation. This particular Open Specifications document provides documentation for past and current releases and/or for the pre-release version of this technology. This document provides final documentation for past and current releases and preliminary documentation, as applicable and specifically noted in this document, for the pre-release version. Microsoft will release final documentation in connection with the commercial release of the updated or new version of this technology. Because this documentation might change between the pre-release version and the final

version of this technology, there are risks in relying on this preliminary documentation. To the extent that you incur additional development obligations or any other costs as a result of relying on this preliminary documentation, you do so at your own risk.

Preliminary

Revision Summary

Date	Revision History	Revision Class	Comments
7/13/2009	0.1	Major	Initial Availability
8/28/2009	0.2	Editorial	Revised and edited the technical content
11/6/2009	0.3	Editorial	Revised and edited the technical content
2/19/2010	1.0	Minor	Updated the technical content
3/31/2010	1.01	Editorial	Revised and edited the technical content
4/30/2010	1.02	Editorial	Revised and edited the technical content
6/7/2010	1.03	Editorial	Revised and edited the technical content
6/29/2010	1.04	Editorial	Changed language and formatting in the technical content.
7/23/2010	1.05	Minor	Clarified the meaning of the technical content.
9/27/2010	1.05	None	No changes to the meaning, language, or formatting of the technical content.
11/15/2010	1.05	None	No changes to the meaning, language, or formatting of the technical content.
12/17/2010	1.05	None	No changes to the meaning, language, or formatting of the technical content.
3/18/2011	1.05	None	No changes to the meaning, language, or formatting of the technical content.
6/10/2011	1.05	None	No changes to the meaning, language, or formatting of the technical content.
1/20/2012	2.0	Major	Significantly changed the technical content.
4/11/2012	2.0	None	No changes to the meaning, language, or formatting of the technical content.
7/16/2012	2.0	None	No changes to the meaning, language, or formatting of the technical content.
9/12/2012	2.0	None	No changes to the meaning, language, or formatting of the technical content.
10/8/2012	2.0.1	Editorial	Changed language and formatting in the technical content.
2/11/2013	2.0.2	Editorial	Changed language and formatting in the technical content.
7/30/2013	3.0	Major	Significantly changed the technical content.
11/18/2013	3.0	None	No changes to the meaning, language, or formatting of the technical content.
2/10/2014	3.1	Minor	Clarified the meaning of the technical content.
4/30/2014	3.2	Minor	Clarified the meaning of the technical content.
7/31/2014	3.3	Minor	Clarified the meaning of the technical content.
10/30/2014	3.4	Minor	Clarified the meaning of the technical content.

Date	Revision History	Revision Class	Comments
2/26/2016	4.0	Major	Significantly changed the technical content.
7/15/2016	4.0	None	No changes to the meaning, language, or formatting of the technical content.
9/14/2016	4.0	None	No changes to the meaning, language, or formatting of the technical content.
6/20/2017	5.0	Major	Significantly changed the technical content.
11/3/2017	6.0	Major	Significantly changed the technical content.
12/12/2017	7.0	Major	Significantly changed the technical content.
7/24/2018	8.0	Major	Significantly changed the technical content.
10/1/2018	9.0	Major	Significantly changed the technical content.
1/29/2019	9.1	Minor	Clarified the meaning of the technical content.
8/18/2020	10.0	Major	Significantly changed the technical content.
11/17/2020	10.0	None	No changes to the meaning, language, or formatting of the technical content.
7/20/2021	11.0	Major	Significantly changed the technical content.

Table of Contents

1	Introduction	16
1.1	Glossary	16
1.2	References	22
1.2.1	Normative References	22
1.2.2	Informative References	23
1.3	Overview	23
1.4	Relationship to Other Protocols	24
1.5	Prerequisites/Preconditions	24
1.6	Applicability Statement	24
1.7	Versioning and Capability Negotiation	24
1.8	Vendor-Extensible Fields	25
1.9	Standards Assignments.....	25
2	Messages.....	26
2.1	Transport	26
2.2	Common Message Syntax	26
2.2.1	Namespaces	26
2.2.2	Messages.....	27
2.2.3	Elements	27
2.2.4	Complex Types.....	27
2.2.4.1	PagingCookie.....	32
2.2.4.2	ArrayOfanyType.....	32
2.2.4.3	ArrayOfstring.....	32
2.2.4.4	AlertInfo	32
2.2.4.5	DataBuffer	33
2.2.4.6	DateRefinementInterval	33
2.2.4.7	FullTextSqlQueryProperties	34
2.2.4.8	HighlightedString	34
2.2.4.9	NumericRefinementInterval	34
2.2.4.10	QueryPersonalizationData	35
2.2.4.11	QueryProperties	35
2.2.4.12	AggregatedOMQueryLatencyDataBuffer	43
2.2.4.13	AggregatedUIQueryLatencyDataBuffer	44
2.2.4.14	ArrayOfKeyValueOfintAggregatedOMQueryLatencyDataBuffer_PFsic3Az	45
2.2.4.15	ArrayOfKeyValueOfstringAggregatedOMQueryLatencyDataBuffer_PFsic3Az ...	45
2.2.4.16	ArrayOfKeyValueOfstringAggregatedUIQueryLatencyDataBuffer_PFsic3Az	46
2.2.4.17	ArrayOfKeyValueOfstringArrayOfKeyValueOfintAggregatedOMQueryLatencyData Buffer_PFsic3Azty7Ep6D1	47
2.2.4.18	ArrayOfKeyValueOfstringanyType.....	47
2.2.4.19	ArrayOfKeyValueOfstringVerboseOMQueryLatencyDataBuffer_PFsic3Az	48
2.2.4.20	ArrayOfKeyValueOfstringVerboseUIQueryLatencyDataBuffer_PFsic3Az	49
2.2.4.21	ArrayOfVerboseQueryErrorDataBuffer	49
2.2.4.22	ArrayOfVerboseWebPartQueryLatencyDataBuffer	50
2.2.4.23	OMQueryLatencyDataBuffer	50
2.2.4.24	QueryDataBufferBaseOfAggregatedOMQueryLatencyDataBufferVerboseOMQuery LatencyDataBufferYrv50AqE	50
2.2.4.25	QueryDataBufferBaseOfAggregatedUIQueryLatencyDataBufferVerboseUIQueryL atencyDataBufferYrv50AqE	51
2.2.4.26	QueryErrorDataBuffer	52
2.2.4.27	UIQueryLatencyDataBuffer	52
2.2.4.28	VerboseOMQueryLatencyDataBuffer	53
2.2.4.29	VerboseQueryErrorDataBuffer.....	53

2.2.4.30	VerboseUIQueryLatencyDataBuffer	54
2.2.4.31	VerboseWebPartQueryLatencyDataBuffer	55
2.2.4.32	WebPartQueryLatencyDataBuffer	55
2.2.4.33	ArrayOfAggregatedOMQueryLatencyDataBuffer	56
2.2.4.34	ArrayOfAggregatedUIQueryLatencyDataBuffer	56
2.2.4.35	ArrayOfboolean	56
2.2.4.36	ArrayOfint	57
2.2.4.37	ArrayOfKeyValueOfstringstring	57
2.2.4.38	ArrayOfVerboseOMQueryLatencyDataBuffer	57
2.2.4.39	ArrayOfVerboseUIQueryLatencyDataBuffer	58
2.2.4.40	QueryHealthMonitoringSettings	58
2.2.4.41	SharedSearchBoxSettings	59
2.2.4.42	ArrayOfPersonalResultSuggestion	60
2.2.4.43	ArrayOfQuerySuggestionQuery	60
2.2.4.44	ArrayOfSerializableSecureStoreCredential	60
2.2.4.45	AzureApiConfiguration	61
2.2.4.46	PersonalResultSuggestion	61
2.2.4.47	QuerySuggestionQuery	62
2.2.4.48	QuerySuggestionResults	62
2.2.4.49	SerializableSecureStoreCredential	63
2.2.5	Simple Types	63
2.2.5.1	AlertChangeType	64
2.2.5.2	KeywordInclusion	64
2.2.5.3	QueryAuthenticationType	65
2.2.5.4	QueryHint	65
2.2.5.5	ResultType	66
2.2.5.6	SearchProvider	67
2.2.5.7	SPUrlZone	68
2.2.5.8	guid	68
2.2.5.9	SecureStoreCredentialType	69
2.2.6	Attributes	69
2.2.7	Groups	69
2.2.8	Attribute Groups	70
2.2.9	Common Data Structures	70
3	Protocol Details	71
3.1	Server Details	71
3.1.1	Abstract Data Model	71
3.1.1.1	Object Hierarchy	71
3.1.1.2	Search Service Application Information	72
3.1.1.3	Managed Property Information	73
3.1.1.4	Scope Information	73
3.1.1.5	Query Monitoring Information	74
3.1.1.6	Query logging	77
3.1.2	Timers	78
3.1.3	Initialization	78
3.1.4	Message Processing Events and Sequencing Rules	79
3.1.4.1	Execute	82
3.1.4.1.1	Messages	83
3.1.4.1.1.1	ISearchQueryServiceApplication_Execute_InputMessage	83
3.1.4.1.1.2	ISearchQueryServiceApplication_Execute_OutputMessage	83
3.1.4.1.2	Elements	83
3.1.4.1.2.1	Execute	84
3.1.4.1.2.2	ExecuteResponse	84
3.1.4.1.3	Complex Types	84
3.1.4.1.3.1	ResultTableCollection	85
3.1.4.1.3.2	ArrayOfResultDefinition	88
3.1.4.1.3.3	ResultDefinition	88

3.1.4.1.3.4	KeywordInformation.....	89
3.1.4.1.3.5	ArrayOfKeyValueOfResultTypeResultTableUTLV0zE5.....	89
3.1.4.1.3.6	ResultTable.....	90
3.1.4.1.3.7	ArrayOfKeyValuePairOfstringResultTable_PFsic3Az.....	92
3.1.4.1.3.8	KeyValuePairOfstringResultTable_PFsic3Az.....	93
3.1.4.1.3.9	ArrayOfKeyValueOfstringSearchServiceApplicationFaulty6h3NzC8....	93
3.1.4.1.3.10	SearchServiceApplicationFault.....	94
3.1.4.1.4	Simple Types.....	94
3.1.4.1.4.1	SearchServiceApplicationFaultType.....	94
3.1.4.1.5	Attributes.....	97
3.1.4.1.6	Groups.....	97
3.1.4.1.7	Attribute Groups.....	97
3.1.4.2	GetClickFrequenciesForUrl.....	97
3.1.4.2.1	Messages.....	98
3.1.4.2.1.1	ISearchQueryServiceApplication_GetClickFrequenciesForUrl_InputMessage.....	98
3.1.4.2.1.2	ISearchQueryServiceApplication_GetClickFrequenciesForUrl_OutputMessage.....	98
3.1.4.2.2	Elements.....	99
3.1.4.2.2.1	GetClickFrequenciesForUrl.....	99
3.1.4.2.2.2	GetClickFrequenciesForUrlResponse.....	99
3.1.4.2.3	Complex Types.....	99
3.1.4.2.4	Simple Types.....	100
3.1.4.2.5	Attributes.....	100
3.1.4.2.6	Groups.....	100
3.1.4.2.7	Attribute Groups.....	100
3.1.4.3	GetProperties.....	100
3.1.4.3.1	Messages.....	100
3.1.4.3.1.1	ISearchQueryServiceApplication_GetProperties_InputMessage.....	101
3.1.4.3.1.2	ISearchQueryServiceApplication_GetProperties_OutputMessage.....	101
3.1.4.3.2	Elements.....	101
3.1.4.3.2.1	GetProperties.....	101
3.1.4.3.2.2	GetPropertiesResponse.....	102
3.1.4.3.3	Complex Types.....	102
3.1.4.3.3.1	ArrayOfPropertyInformation.....	102
3.1.4.3.3.2	PropertyInformation.....	102
3.1.4.3.4	Simple Types.....	103
3.1.4.3.5	Attributes.....	103
3.1.4.3.6	Groups.....	103
3.1.4.3.7	Attribute Groups.....	103
3.1.4.4	GetQuerySuggestions.....	104
3.1.4.4.1	Messages.....	104
3.1.4.4.1.1	ISearchQueryServiceApplication_GetQuerySuggestions_InputMessage.....	104
3.1.4.4.1.2	ISearchQueryServiceApplication_GetQuerySuggestions_OutputMessage.....	105
3.1.4.4.2	Elements.....	105
3.1.4.4.2.1	GetQuerySuggestions.....	105
3.1.4.4.2.2	GetQuerySuggestionsResponse.....	106
3.1.4.4.3	Complex Types.....	106
3.1.4.4.4	Simple Types.....	106
3.1.4.4.5	Attributes.....	106
3.1.4.4.6	Groups.....	106
3.1.4.4.7	Attribute Groups.....	106
3.1.4.5	GetScopes.....	106
3.1.4.5.1	Messages.....	107

3.1.4.5.1.1	ISearchQueryServiceApplication_GetScopes_InputMessage.....	107
3.1.4.5.1.2	ISearchQueryServiceApplication_GetScopes_OutputMessage.....	108
3.1.4.5.2	Elements.....	108
3.1.4.5.2.1	GetScopes.....	108
3.1.4.5.2.2	GetScopesResponse.....	108
3.1.4.5.3	Complex Types.....	109
3.1.4.5.3.1	ArrayOfScopeInformation.....	109
3.1.4.5.3.2	ScopeInformation.....	109
3.1.4.5.4	Simple Types.....	110
3.1.4.5.4.1	ScopeCompilationState.....	110
3.1.4.5.5	Attributes.....	110
3.1.4.5.6	Groups.....	111
3.1.4.5.7	Attribute Groups.....	111
3.1.4.6	GetSearchServiceApplicationInfo.....	111
3.1.4.6.1	Messages.....	111
3.1.4.6.1.1	ISearchQueryServiceApplication_GetSearchServiceApplicationInfo_InputMessage.....	112
3.1.4.6.1.2	ISearchQueryServiceApplication_GetSearchServiceApplicationInfo_OutputMessage.....	112
3.1.4.6.2	Elements.....	112
3.1.4.6.2.1	GetSearchServiceApplicationInfo.....	112
3.1.4.6.2.2	GetSearchServiceApplicationInfoResponse.....	112
3.1.4.6.3	Complex Types.....	113
3.1.4.6.3.1	SearchServiceApplicationInfo.....	113
3.1.4.6.4	Simple Types.....	116
3.1.4.6.5	Attributes.....	116
3.1.4.6.6	Groups.....	116
3.1.4.6.7	Attribute Groups.....	116
3.1.4.7	GetSearchTerms.....	116
3.1.4.7.1	Messages.....	117
3.1.4.7.1.1	ISearchQueryServiceApplication_GetSearchTerms_InputMessage.....	117
3.1.4.7.1.2	ISearchQueryServiceApplication_GetSearchTerms_OutputMessage.....	118
3.1.4.7.2	Elements.....	118
3.1.4.7.2.1	GetSearchTerms.....	118
3.1.4.7.2.2	GetSearchTermsResponse.....	118
3.1.4.7.3	Complex Types.....	119
3.1.4.7.3.1	KeywordQueryProperties.....	119
3.1.4.7.3.2	ArrayOfKeyValueOfstringArrayOfRefinementInterval_PFsic3Az.....	124
3.1.4.7.3.3	ArrayOfRefinementInterval.....	125
3.1.4.7.3.4	SortCollection.....	125
3.1.4.7.3.5	ArrayOfSort.....	125
3.1.4.7.3.6	Sort.....	126
3.1.4.7.3.7	ReorderingRuleCollection.....	126
3.1.4.7.3.8	ArrayOfReorderingRule.....	126
3.1.4.7.3.9	ReorderingRule.....	127
3.1.4.7.3.10	RefinementInterval.....	127
3.1.4.7.4	Simple Types.....	128
3.1.4.7.4.1	SpellcheckMode.....	128
3.1.4.7.4.2	ResubmitFlag.....	128
3.1.4.7.4.3	SimilarType.....	129
3.1.4.7.4.4	SortDirection.....	130
3.1.4.7.4.5	ReorderingRuleMatchType.....	130
3.1.4.7.5	Attributes.....	131
3.1.4.7.6	Groups.....	131
3.1.4.7.7	Attribute Groups.....	131
3.1.4.8	GetTopQueryStringsForUrl.....	131

3.1.4.8.1	Messages	132
3.1.4.8.1.1	ISearchQueryServiceApplication_GetTopQueryStringsForUrl_InputMessage.....	132
3.1.4.8.1.2	ISearchQueryServiceApplication_GetTopQueryStringsForUrl_OutputMessage.....	133
3.1.4.8.2	Elements	133
3.1.4.8.2.1	GetTopQueryStringsForUrl	133
3.1.4.8.2.2	GetTopQueryStringsForUrlResponse	133
3.1.4.8.3	Complex Types	134
3.1.4.8.4	Simple Types	134
3.1.4.8.5	Attributes	134
3.1.4.8.6	Groups.....	134
3.1.4.8.7	Attribute Groups.....	134
3.1.4.9	HighlightStringValue.....	134
3.1.4.9.1	Messages	134
3.1.4.9.1.1	ISearchQueryServiceApplication_HighlightStringValue_InputMessage.....	135
3.1.4.9.1.2	ISearchQueryServiceApplication_HighlightStringValue_OutputMessage.....	135
3.1.4.9.2	Elements	135
3.1.4.9.2.1	HighlightStringValue.....	135
3.1.4.9.2.2	HighlightStringValueResponse	136
3.1.4.9.3	Complex Types	136
3.1.4.9.4	Simple Types	136
3.1.4.9.5	Attributes	136
3.1.4.9.6	Groups.....	136
3.1.4.9.7	Attribute Groups.....	136
3.1.4.10	HighlightStringValueQuerySuggestions	137
3.1.4.10.1	Messages	137
3.1.4.10.1.1	ISearchQueryServiceApplication_HighlightStringValueQuerySuggestions_InputMessage.....	138
3.1.4.10.1.2	ISearchQueryServiceApplication_HighlightStringValueQuerySuggestions_OutputMessage.....	138
3.1.4.10.2	Elements	138
3.1.4.10.2.1	HighlightStringValueQuerySuggestions	138
3.1.4.10.2.2	HighlightStringValueQuerySuggestionsResponse	139
3.1.4.10.3	Complex Types	139
3.1.4.10.4	Simple Types	139
3.1.4.10.5	Attributes	139
3.1.4.10.6	Groups.....	139
3.1.4.10.7	Attribute Groups.....	139
3.1.4.11	RecordClick	140
3.1.4.11.1	Messages	140
3.1.4.11.1.1	ISearchQueryServiceApplication_RecordClick_InputMessage	141
3.1.4.11.1.2	ISearchQueryServiceApplication_RecordClick_OutputMessage	141
3.1.4.11.2	Elements.....	141
3.1.4.11.2.1	RecordClick	141
3.1.4.11.2.2	RecordClickResponse.....	141
3.1.4.11.3	Complex Types	142
3.1.4.11.3.1	QueryInfo	142
3.1.4.11.4	Simple Types	144
3.1.4.11.4.1	QueryLogClientType	145
3.1.4.11.4.2	QueryLogType	147
3.1.4.11.5	Attributes	148

3.1.4.11.6	Groups.....	148
3.1.4.11.7	Attribute Groups.....	148
3.1.4.12	RecordOMQueryDoneEvent.....	148
3.1.4.12.1	Messages	148
3.1.4.12.1.1	ISearchQueryServiceApplication_RecordOMQueryDoneEvent_InputMessage	149
3.1.4.12.1.2	ISearchQueryServiceApplication_RecordOMQueryDoneEvent_OutputMessage.....	149
3.1.4.12.2	Elements	149
3.1.4.12.2.1	RecordOMQueryDoneEvent	149
3.1.4.12.2.2	RecordOMQueryDoneEventResponse	150
3.1.4.12.3	Complex Types	150
3.1.4.12.4	Simple Types	150
3.1.4.12.5	Attributes	150
3.1.4.12.6	Groups.....	150
3.1.4.12.7	Attribute Groups.....	150
3.1.4.13	RecordQueryErrorEvent	150
3.1.4.13.1	Messages	151
3.1.4.13.1.1	ISearchQueryServiceApplication_RecordQueryErrorEvent_InputMessage	151
3.1.4.13.1.2	ISearchQueryServiceApplication_RecordQueryErrorEvent_OutputMessage	152
3.1.4.13.2	Elements.....	152
3.1.4.13.2.1	RecordQueryErrorEvent	152
3.1.4.13.2.2	RecordQueryErrorEventResponse	152
3.1.4.13.3	Complex Types	153
3.1.4.13.4	Simple Types	153
3.1.4.13.5	Attributes	153
3.1.4.13.6	Groups.....	153
3.1.4.13.7	Attribute Groups.....	153
3.1.4.14	RecordUIQueryDoneEvent.....	153
3.1.4.14.1	Messages	153
3.1.4.14.1.1	ISearchQueryServiceApplication_RecordUIQueryDoneEvent_InputMessage.....	154
3.1.4.14.1.2	ISearchQueryServiceApplication_RecordUIQueryDoneEvent_OutputMessage.....	154
3.1.4.14.2	Elements.....	154
3.1.4.14.2.1	RecordUIQueryDoneEvent.....	154
3.1.4.14.2.2	RecordUIQueryDoneEventResponse	155
3.1.4.14.3	Complex Types	155
3.1.4.14.4	Simple Types	155
3.1.4.14.5	Attributes	155
3.1.4.14.6	Groups.....	155
3.1.4.14.7	Attribute Groups.....	155
3.1.4.15	RecordWebPartQueryDoneEvent	155
3.1.4.15.1	Messages	156
3.1.4.15.1.1	ISearchQueryServiceApplication_RecordWebPartQueryDoneEvent_InputMessage	156
3.1.4.15.1.2	ISearchQueryServiceApplication_RecordWebPartQueryDoneEvent_OutputMessage	157
3.1.4.15.2	Elements.....	157

3.1.4.15.2.1	RecordWebPartQueryDoneEvent	157
3.1.4.15.2.2	RecordWebPartQueryDoneEventResponse	157
3.1.4.15.3	Complex Types	158
3.1.4.15.4	Simple Types	158
3.1.4.15.5	Attributes	158
3.1.4.15.6	Groups	158
3.1.4.15.7	Attribute Groups	158
3.1.4.16	RecordPageClick	158
3.1.4.16.1	Messages	159
3.1.4.16.1.1	ISearchQueryServiceApplication_RecordPageClick_InputMessage	159
3.1.4.16.1.2	ISearchQueryServiceApplication_RecordPageClick_OutputMessage	159
3.1.4.16.2	Elements	159
3.1.4.16.2.1	RecordPageClick	159
3.1.4.16.2.2	RecordPageClickResponse	160
3.1.4.16.3	Complex Types	160
3.1.4.16.3.1	QueryLogPageClick	160
3.1.4.16.3.2	QueryLogImmediacyInfo	161
3.1.4.16.4	Simple Types	161
3.1.4.16.4.1	QueryLogClickType	162
3.1.4.16.5	Attributes	163
3.1.4.16.6	Groups	163
3.1.4.16.7	Attribute Groups	163
3.1.4.17	GetQueryHealthMonitoringSettings	163
3.1.4.17.1	Messages	163
3.1.4.17.1.1	ISearchHealthMonitoringServiceApplication_GetQueryHealthMonitoringSettings_InputMessage	164
3.1.4.17.1.2	ISearchHealthMonitoringServiceApplication_GetQueryHealthMonitoringSettings_OutputMessage	164
3.1.4.17.2	Elements	164
3.1.4.17.2.1	GetQueryHealthMonitoringSettings	164
3.1.4.17.2.2	GetQueryHealthMonitoringSettingsResponse	165
3.1.4.17.3	Complex Types	165
3.1.4.17.4	Simple Types	165
3.1.4.17.5	Attributes	165
3.1.4.17.6	Groups	165
3.1.4.17.7	Attribute Groups	166
3.1.4.18	GetQuerySuggestionsWithResults	166
3.1.4.18.1	Messages	166
3.1.4.18.1.1	ISearchQueryServiceApplication_GetQuerySuggestionsWithResults_InputMessage	166
3.1.4.18.1.2	ISearchQueryServiceApplication_GetQuerySuggestionsWithResults_OutputMessage	167
3.1.4.18.2	Elements	167
3.1.4.18.2.1	GetQuerySuggestionsWithResults	167
3.1.4.18.2.2	GetQuerySuggestionsWithResultsResponse	168
3.1.4.18.3	Complex Types	168
3.1.4.18.4	Simple Types	168
3.1.4.18.5	Attributes	168
3.1.4.18.6	Groups	168
3.1.4.18.7	Attribute Groups	168
3.1.4.19	GetQueryHealthMonitoringSettingsForComponents	169
3.1.4.19.1	Messages	169

3.1.4.19.1.1	ISearchHealthMonitoringServiceApplication_GetQueryHealthMonitoringSettingsForComponents_InputMessage	170
3.1.4.19.1.2	ISearchHealthMonitoringServiceApplication_GetQueryHealthMonitoringSettingsForComponents_OutputMessage	170
3.1.4.19.2	Elements	170
3.1.4.19.2.1	GetQueryHealthMonitoringSettingsForComponents	170
3.1.4.19.2.2	GetQueryHealthMonitoringSettingsForComponentsResponse	171
3.1.4.19.3	Complex Types	171
3.1.4.19.3.1	ArrayOfKeyValueOfstringQueryHealthMonitoringSettingsvncQr8z ...	171
3.1.4.19.4	Simple Types	172
3.1.4.19.5	Attributes	172
3.1.4.19.6	Groups	172
3.1.4.19.7	Attribute Groups	172
3.1.4.20	RecordOMQueryDone	172
3.1.4.20.1	Messages	173
3.1.4.20.1.1	ISearchHealthMonitoringServiceApplication_RecordOMQueryDone_InputMessage	173
3.1.4.20.1.2	ISearchHealthMonitoringServiceApplication_RecordOMQueryDone_OutputMessage	173
3.1.4.20.2	Elements	174
3.1.4.20.2.1	RecordOMQueryDone	174
3.1.4.20.2.2	RecordOMQueryDoneResponse	174
3.1.4.20.3	Complex Types	174
3.1.4.20.4	Simple Types	174
3.1.4.20.5	Attributes	175
3.1.4.20.6	Groups	175
3.1.4.20.7	Attribute Groups	175
3.1.4.21	RecordQueryError	175
3.1.4.21.1	Messages	175
3.1.4.21.1.1	ISearchHealthMonitoringServiceApplication_RecordQueryError_InputMessage	176
3.1.4.21.1.2	ISearchHealthMonitoringServiceApplication_RecordQueryError_OutputMessage	176
3.1.4.21.2	Elements	176
3.1.4.21.2.1	RecordQueryError	176
3.1.4.21.2.2	RecordQueryErrorResponse	177
3.1.4.21.3	Complex Types	177
3.1.4.21.4	Simple Types	177
3.1.4.21.5	Attributes	177
3.1.4.21.6	Groups	177
3.1.4.21.7	Attribute Groups	177
3.1.4.22	RecordUIQueryDone	177
3.1.4.22.1	Messages	178
3.1.4.22.1.1	ISearchHealthMonitoringServiceApplication_RecordUIQueryDone_InputMessage	178
3.1.4.22.1.2	ISearchHealthMonitoringServiceApplication_RecordUIQueryDone_OutputMessage	179
3.1.4.22.2	Elements	179
3.1.4.22.2.1	RecordUIQueryDone	179
3.1.4.22.2.2	RecordUIQueryDoneResponse	179

3.1.4.22.3	Complex Types	180
3.1.4.22.4	Simple Types	180
3.1.4.22.5	Attributes	180
3.1.4.22.6	Groups	180
3.1.4.22.7	Attribute Groups	180
3.1.4.23	RecordWebPartQueryDone	180
3.1.4.23.1	Messages	181
3.1.4.23.1.1	ISearchHealthMonitoringServiceApplication_RecordWebPartQueryDone_	
	InputMessage	181
3.1.4.23.1.2	ISearchHealthMonitoringServiceApplication_RecordWebPartQueryDone_	
	OutputMessage	181
3.1.4.23.2	Elements	181
3.1.4.23.2.1	RecordWebPartQueryDone	181
3.1.4.23.2.2	RecordWebPartQueryDoneResponse	182
3.1.4.23.3	Complex Types	182
3.1.4.23.4	Simple Types	182
3.1.4.23.5	Attributes	182
3.1.4.23.6	Groups	182
3.1.4.23.7	Attribute Groups	182
3.1.4.24	GetImsEndpointAddresses	182
3.1.4.24.1	Messages	183
3.1.4.24.1.1	ISearchQueryServiceApplication_GetImsEndpointAddresses_InputMessa	
	ge	183
3.1.4.24.1.2	ISearchQueryServiceApplication_GetImsEndpointAddresses_OutputMes	
	sage	184
3.1.4.24.2	Elements	184
3.1.4.24.2.1	GetImsEndpointAddresses	184
3.1.4.24.2.2	GetImsEndpointAddressesResponse	184
3.1.4.24.3	Complex Types	184
3.1.4.24.3.1	ArrayOfanyURI	185
3.1.4.24.4	Simple Types	185
3.1.4.24.5	Attributes	185
3.1.4.24.6	Groups	185
3.1.4.24.7	Attribute Groups	185
3.1.4.25	GetQueryCompletions	185
3.1.4.25.1	Messages	186
3.1.4.25.1.1	ISearchQueryServiceApplication_GetQueryCompletions_InputMessage	
	186
3.1.4.25.1.2	ISearchQueryServiceApplication_GetQueryCompletions_OutputMessage	
	186
3.1.4.25.2	Elements	186
3.1.4.25.2.1	GetQueryCompletions	187
3.1.4.25.2.2	GetQueryCompletionsResponse	187
3.1.4.25.3	Complex Types	188
3.1.4.25.3.1	ArrayOfQueryAutoCompletion	188
3.1.4.25.3.2	ArrayOfQueryAutoCompletionMatch	188
3.1.4.25.3.3	QueryAutoCompletion	188
3.1.4.25.3.4	QueryAutoCompletionMatch	189
3.1.4.25.3.5	QueryAutoCompletionResults	189
3.1.4.25.4	Simple Types	190
3.1.4.25.5	Attributes	190
3.1.4.25.6	Groups	190
3.1.4.25.7	Attribute Groups	190
3.1.4.26	IsUrlMappingCached	190

3.1.4.26.1	Messages	191
3.1.4.26.1.1	ISearchQueryServiceApplication_IsUrlMappingCached_InputMessage	191
3.1.4.26.1.2	ISearchQueryServiceApplication_IsUrlMappingCached_OutputMessage	191
3.1.4.26.2	Elements	191
3.1.4.26.2.1	IsUrlMappingCached	192
3.1.4.26.2.2	IsUrlMappingCachedResponse	192
3.1.4.26.3	Complex Types	194
3.1.4.26.4	Simple Types	194
3.1.4.26.5	Attributes	194
3.1.4.26.6	Groups	194
3.1.4.26.7	Attribute Groups	194
3.1.4.27	GetZeroTermsQuerySuggestionsWithResults	194
3.1.4.27.1	Messages	194
3.1.4.27.1.1	ISearchQueryServiceApplication_GetZeroTermsQuerySuggestionsWithResults_InputMessage	195
3.1.4.27.1.2	ISearchQueryServiceApplication_GetZeroTermsQuerySuggestionsWithResults_OutputMessage	195
3.1.4.27.2	Elements	195
3.1.4.27.2.1	GetZeroTermsQuerySuggestionsWithResults	195
3.1.4.27.2.2	GetZeroTermsQuerySuggestionsWithResultsResponse	196
3.1.4.27.3	Complex Types	196
3.1.4.27.4	Simple Types	196
3.1.4.27.5	Attributes	196
3.1.4.27.6	Groups	196
3.1.4.27.7	Attribute Groups	196
3.1.4.28	IsUrlMappingCachedWithHash	197
3.1.4.28.1	Messages	197
3.1.4.28.1.1	ISearchQueryServiceApplication_IsUrlMappingCachedWithHash_InputMessage	197
3.1.4.28.1.2	ISearchQueryServiceApplication_IsUrlMappingCachedWithHash_OutputMessage	197
3.1.4.28.2	Elements	198
3.1.4.28.2.1	IsUrlMappingCachedWithHash	198
3.1.4.28.2.2	IsUrlMappingCachedWithHashResponse	198
3.1.4.28.3	Complex Types	199
3.1.4.28.4	Simple Types	199
3.1.4.28.5	Attributes	199
3.1.4.28.6	Groups	199
3.1.4.28.7	Attribute Groups	199
3.1.5	Timer Events	199
3.1.6	Other Local Events	199
4	Protocol Examples	200
4.1	Issue a Search Query	200
4.2	Retrieve Information About the Available Search Scopes	205
4.3	Notify the Occurrence of a Clickthrough	208
4.4	Obtain the Click Frequency for a Given URI	209
5	Security	211
5.1	Security Considerations for Implementers	211
5.2	Index of Security Parameters	211
6	Appendix A: Full WSDL	212

7	Appendix B: Full XML Schema	230
7.1	http://schemas.datacontract.org/2004/07/Microsoft.Office.Server.Search.Administratio n Schema	230
7.2	http://schemas.datacontract.org/2004/07/Microsoft.Office.Server.Search.Monitoring Schema	231
7.3	http://tempuri.org/ Schema	231
7.4	http://www.microsoft.com/sharepoint/search/KnownTypes/2008/08 Schema	238
7.5	http://schemas.datacontract.org/2004/07/Microsoft.Office.Server.Search.Query Schema	251
7.6	http://schemas.datacontract.org/2004/07/Microsoft.SharePoint.Administration Schema	254
7.7	http://schemas.microsoft.com/2003/10/Serialization/Arrays Schema	255
7.8	http://schemas.microsoft.com/2003/10/Serialization/ Schema	259
7.9	http://schemas.datacontract.org/2004/07/System.Collections.Generic Schema	259
7.10	http://schemas.datacontract.org/2004/07/System.Data Schema	260
7.11	http://schemas.datacontract.org/2004/07/Microsoft.BusinessData.Infrastructure.Secure Store Schema	260
7.12	http://schemas.datacontract.org/2004/07/Microsoft.Ceres.CoreServices.Utils.Azure Schema	260
7.13	http://schemas.datacontract.org/2004/07/Microsoft.Office.SecureStoreService.Server Schema	261
8	Appendix C: Product Behavior	262
9	Change Tracking	266
10	Index	267

1 Introduction

The Search Query Shared Services Protocol enables the protocol client to retrieve search results and related information from the protocol server and to inform the protocol server about usage information.

Sections 1.5, 1.8, 1.9, 2, and 3 of this specification are normative. All other sections and examples in this specification are informative.

1.1 Glossary

This document uses the following terms:

access control entry (ACE): An entry in an access control list (ACL) that contains a set of user rights and a **security identifier (SID)** that identifies a principal for whom the rights are allowed, denied, or audited.

alert subscription: A request to receive an Internet message automatically when user-defined criteria are met. Such messages are generated automatically when items such as documents, webpages, list items, sites, or other resources on a server are changed.

alternate access mapping: A mapping of URLs to web applications. Incoming alternate access mappings are used to provide multiple URL entry points for the same set of content. Outgoing alternate access mappings are used to ensure that content is rendered in the correct URL context.

application server: A computer that provides infrastructure and services for applications that are hosted on a server farm.

ascending order: A sort order in which text strings are arranged in alphabetical order, numerical values are arranged from smallest to largest, and dates and times are arranged from oldest to newest.

best bet: A URL that a site collection administrator assigns to a keyword as being relevant for that keyword. See also **visual best bet**.

clickthrough: The process of navigating from one Internet resource to another.

compatibility mode: A mode in which hardware or software in one system or product version supports operations from another system or product version.

context: A collection of context properties that describe an execution environment.

contextual search scope: A system-defined restriction that can optionally be added to a query to restrict the query results to items that are from a specific site or list.

cookie: A small data file that is stored on a user's computer and carries state information between participating protocol servers and protocol clients.

Coordinated Universal Time (UTC): A high-precision atomic time standard that approximately tracks Universal Time (UT). It is the basis for legal, civil time all over the Earth. Time zones around the world are expressed as positive and negative offsets from UTC. In this role, it is also referred to as Zulu time (Z) and Greenwich Mean Time (GMT). In these specifications, all references to UTC refer to the time at UTC-0 (or GMT).

descending order: A sort order in which text strings are arranged in reverse alphabetical order, numerical values are arranged from largest to smallest, and dates and times are arranged from newest to oldest.

discovery center: See discovery console.

duplicate: A search result that is identified as having identical or near identical content.

duplicate result removal: An operation to compare the similarity of items and remove duplicates from search results.

electronic discovery (eDiscovery): A type of legal discovery that focuses on electronic (computer) communications and files.

empty GUID: A 128-bit, 16-byte identification number that is represented by all zeros.

empty string: A string object or variable that is initialized with the value "".

endpoint: A communication port that is exposed by an **application server** for a specific shared service and to which messages can be addressed.

extracted definition: The definition that is obtained by an index server during a crawl to determine if any sentences in the item match the pattern for defining a term.

federated location: A source that returns search results for a search query. The source can be a local search catalog or an OpenSearch1.0/1.1-compliant search engine, as described in [\[OpenSearch1.1-Draft3\]](#).

front-end web server: A server that hosts webpages, performs processing tasks, and accepts requests from protocol clients and sends them to the appropriate back-end server for further processing.

full-text index catalog: A collection of full-text index components and other files that are organized in a specific directory structure and contain the data that is needed to perform queries.

globally unique identifier (GUID): A term used interchangeably with universally unique identifier (UUID) in Microsoft protocol technical documents (TDs). Interchanging the usage of these terms does not imply or require a specific algorithm or mechanism to generate the value. Specifically, the use of this term does not imply or require that the algorithms described in [\[RFC4122\]](#) or [\[C706\]](#) must be used for generating the **GUID**. See also universally unique identifier (UUID).

high confidence results: A subset of search results that are considered to be highly relevant because of a precise match between a high confidence property value and the tokens in the query text.

host name: The name of a physical server, as described in [\[RFC952\]](#).

Hypertext Markup Language (HTML): An application of the Standard Generalized Markup Language (SGML) that uses tags to mark elements in a document, as described in [\[HTML\]](#).

Hypertext Transfer Protocol (HTTP): An application-level protocol for distributed, collaborative, hypermedia information systems (text, graphic images, sound, video, and other multimedia files) on the World Wide Web.

Hypertext Transfer Protocol Secure (HTTPS): An extension of HTTP that securely encrypts and decrypts web page requests. In some older protocols, "Hypertext Transfer Protocol over Secure Sockets Layer" is still used (Secure Sockets Layer has been deprecated). For more information, see [\[SSL3\]](#) and [\[RFC5246\]](#).

index partition: A part of an inverted index within a search system. In Microsoft Search Server 2010 and Microsoft Office SharePoint Server 2007 for Search, it is defined by a set of document distribution identifiers. In Microsoft FAST Search Server 2010, it is defined by a search index within an index column and can be divided into additional index partitions.

inflectional form: A variant of a root token that has been modified according to the linguistic rules of a given language. For example, inflections of the verb "swim" in English include "swim," "swims," "swimming," and "swam."

JavaScript Object Notation (JSON): A text-based, data interchange format that is used to transmit structured data, typically in Asynchronous JavaScript + XML (AJAX) web applications, as described in [\[RFC7159\]](#). The JSON format is based on the structure of ECMAScript (Jscript, JavaScript) objects.

keyword: One or more words or phrases that site administrators identified as important for a search service application. A keyword provides a way to apply business rules to search results for queries that use the keyword.

keyword query: Query text that contains a property restriction and a corresponding property value.

keyword synonym: An alternate phrasing of a specific keyword. When users search for a keyword synonym, the search results include the same **best bet** results as for the keyword.

language code identifier (LCID): A 32-bit number that identifies the user interface human language dialect or variation that is supported by an application or a client computer.

list: A container within a SharePoint site that stores list items. A list has a customizable schema that is composed of one or more fields.

local search scope: An administrator-defined restriction that can optionally be added to a query to restrict the query results to items that are from a specific SharePoint site collection, site, or list.

managed property: A specific property that is part of a metadata schema. It can be exposed for use in search queries that are executed from the user interface.

metadata index: A data structure that is stored on a back-end database server. It stores properties that are associated with each item, and the attributes of those properties.

noise word: See stop word.

object model: A collection of object-oriented APIs that represent data structures and are designed to promote software interoperability.

page impression: An identifier for unique **query text**.

pluggable security authentication: The ability to support alternate mechanisms for determining the identity of another entity.

post-query suggestions: An alternative search query that is related to the search query that was executed.

pre-query suggestions: A search query that is related to the search query that the user is typing.

query logging: The process of recording information about user searches, such as search terms and time of access.

query result: A result that is returned for a query. It contains the title and URL of the item, and can also contain other managed properties and a hit-highlighted summary.

query rule: A setting that consists of a keyword condition and an action performed to provide the most relevant search results.

query text: The textual, string portion of a query.

query throttling: A mechanism that helps all queries get their fair share of computational resources.

query transform: A query processing stage in which query text is examined and possibly modified to optimize query results. Examples of modifications are applying synonym settings or stemming expansion rules to the text.

ranking model: In a search query, a set of weights and numerical parameters that are used to compute a ranking score for each item. All items share the same ranking model for a specific set of search results. See also rank.

refinement bin: A set of data that is returned with query results and represents a statistical distribution of those results. The data is based on values of the managed property with which a refiner is associated.

refinement token: A Base-64 encoded string that represents a single refinement modifier that can be used to refine a search query. The string includes the name of the refiner, refinement name, and refinement value.

refinement value: A string that stores a value or numeric range that can be used to refine query results.

refiner: A configuration that is used for query refinement and is associated with one managed property.

request message: A Traversal Using Relay NAT (TURN) message that is sent from a protocol client to a protocol server.

response message: A Traversal Using Relay NAT (TURN) message that is sent from a protocol server to a protocol client in response to a request message. It is sent when the request message is handled successfully by the protocol server.

result provider: A component or application that serves a query to a **search provider** and translates the resulting data into a result set.

result set: A list of records that results from running a stored procedure or query, or applying a filter. The structure and content of the data in a result set varies according to the implementation.

result source: A local or remote search catalog, a remote Exchange search endpoint or an OpenSearch1.0/1.1-compliant search engine that may include a list of attributes that defines a set of search results for a search query.

search alert: An Internet message that is sent to subscribers automatically for a specific query. It notifies subscribers when one or more new results exist, or an existing result was modified.

search application: A unique group of search settings that is associated, one-to-one, with a shared service provider.

search index: A set of data structures that facilitates query evaluation by a search service application. The primary part of a search index is an inverted index of terms.

search provider: A component or application that provides data in response to a query. See also **result provider**.

search query: A complete set of conditions that are used to generate search results, including query text, sort order, and ranking parameters.

search query log: A record of information about user searches, such as search terms and time of access.

search scope: A list of attributes that define a collection of items.

search scope consumer: A site collection that uses a specific search scope display group.

search scope rule: An attribute that specifies which items are included in a search scope.

search security descriptor: A custom security descriptor that is in an arbitrary format and is handled by alternate authentication providers in pluggable security authentication.

search service application: A shared service application that provides indexing and querying capabilities.

search setting context: An administrative setting that is used to specify when a search setting for a keyword is applied to a search query, based on the query context.

security descriptor: A data structure containing the security information associated with a securable object. A **security descriptor** identifies an object's owner by its **security identifier (SID)**. If access control is configured for the object, its **security descriptor** contains a discretionary access control list (DACL) with **SIDs** for the security principals who are allowed or denied access. Applications use this structure to set and query an object's security status. The **security descriptor** is used to guard access to an object as well as to control which type of auditing takes place when the object is accessed. The **security descriptor** format is specified in [\[MS-DTYP\]](#) section 2.4.6; a string representation of **security descriptors**, called SDDL, is specified in [\[MS-DTYP\]](#) section 2.5.1.

security identifier (SID): An identifier for security principals that is used to identify an account or a group. Conceptually, the **SID** is composed of an account authority portion (typically a domain) and a smaller integer representing an identity relative to the account authority, termed the relative identifier (RID). The **SID** format is specified in [\[MS-DTYP\]](#) section 2.4.2; a string representation of **SIDs** is specified in [\[MS-DTYP\]](#) section 2.4.2 and [\[MS-AZOD\]](#) section 1.1.1.2.

security trimming: The process of filtering search results by checking the access control list (ACL) for a resource and displaying only those resources that a user has permission to view.

shared search scope: An administrator-defined restriction that can be added to a query to limit query results to a collection of content. This restriction is available to multiple **site collections**.

site: A group of related pages and data within a SharePoint site collection. The structure and content of a site is based on a site definition. Also referred to as SharePoint site and web site.

site collection: A set of websites that are in the same content database, have the same owner, and share administration settings. A site collection can be identified by a **GUID** or the **URL** of the top-level site for the site collection. Each site collection contains a top-level site, can contain one or more subsites, and can have a shared navigational structure.

site collection identifier: A GUID that identifies a site collection. In stored procedures, the identifier is typically "@SiteId" or "@WebSiteId". In databases, the identifier is typically "SiteId/tp_SiteId".

site identifier: A GUID that is used to identify a site in a **site collection**.

SOAP: A lightweight protocol for exchanging structured information in a decentralized, distributed environment. **SOAP** uses XML technologies to define an extensible messaging framework, which provides a message construct that can be exchanged over a variety of underlying protocols. The framework has been designed to be independent of any particular programming model and other implementation-specific semantics. SOAP 1.2 supersedes SOAP 1.1. See [\[SOAP1.2-1/2003\]](#).

SOAP action: The HTTP request header field used to indicate the intent of the **SOAP** request, using a **URI** value. See [\[SOAP1.1\]](#) section 6.1.1 for more information.

SOAP body: A container for the payload data being delivered by a SOAP message to its recipient. See [\[SOAP1.2-1/2007\]](#) section 5.3 for more information.

SOAP fault: A container for error and status information within a SOAP message. See [\[SOAP1.2-1/2007\]](#) section 5.4 for more information.

stemming: A type of query expansion that factors relationships between words by reducing inflected words to their stem form or expanding stems to their inflected forms. For example, the words "swimming" and "swam" can be associated with the stem "swim."

task: An act to be executed by all query servers, and any requisite information for those query servers to execute that act correctly.

tenant: A protocol client or protocol server that accesses a partition in a shared service database.

token: A word in an item or a search query that translates into a meaningful word or number in written text. A token is the smallest textual unit that can be matched in a search query. Examples include "cat", "AB14", or "42".

Transmission Control Protocol (TCP): A protocol used with the Internet Protocol (IP) to send data in the form of message units between computers over the Internet. TCP handles keeping track of the individual units of data (called packets) that a message is divided into for efficient routing through the Internet.

UI culture: The language that is used to display strings and graphical elements in a user interface.

Uniform Resource Identifier (URI): A string that identifies a resource. The URI is an addressing mechanism defined in Internet Engineering Task Force (IETF) Uniform Resource Identifier (URI): Generic Syntax [\[RFC3986\]](#).

Uniform Resource Locator (URL): A string of characters in a standardized format that identifies a document or resource on the World Wide Web. The format is as specified in [\[RFC1738\]](#).

URL zone: A specific base **Uniform Resource Locator (URL)** that can be used to access a resource within a web application. A web application can have multiple URL zones.

verbose query monitoring: The process of tracking and recording information about the time that is spent by a protocol server to process each search query.

visual best bet: A URL that specifies the address of an image and is assigned to a keyword by a site collection administrator as being relevant for that keyword. See also **best bet**.

Web Part: A reusable component that contains or generates web-based content such as XML, **HTML**, and scripting code. It has a standard property schema and displays that content in a cohesive unit on a webpage. See also Web Parts Page.

Web Services Description Language (WSDL): An XML format for describing network services as a set of endpoints that operate on messages that contain either document-oriented or procedure-oriented information. The operations and messages are described abstractly and are bound to a concrete network protocol and message format in order to define an endpoint. Related concrete endpoints are combined into abstract endpoints, which describe a network service. WSDL is extensible, which allows the description of endpoints and their messages regardless of the message formats or network protocols that are used.

Windows security descriptor: See **security descriptor**.

WSDL message: An abstract, typed definition of the data that is communicated during a **WSDL operation** [\[WSDL\]](#). Also, an element that describes the data being exchanged between web service providers and clients.

WSDL operation: A single action or function of a web service. The execution of a WSDL operation typically requires the exchange of messages between the service requestor and the service provider.

XML namespace: A collection of names that is used to identify elements, types, and attributes in XML documents identified in a URI reference [RFC3986]. A combination of XML namespace and local name allows XML documents to use elements, types, and attributes that have the same names but come from different sources. For more information, see [\[XMLNS-2ED\]](#).

XML namespace prefix: An abbreviated form of an **XML namespace**, as described in [\[XML\]](#).

XML schema: A description of a type of XML document that is typically expressed in terms of constraints on the structure and content of documents of that type, in addition to the basic syntax constraints that are imposed by XML itself. An XML schema provides a view of a document type at a relatively high level of abstraction.

MAY, SHOULD, MUST, SHOULD NOT, MUST NOT: These terms (in all caps) are used as defined in [\[RFC2119\]](#). All statements of optional behavior use either MAY, SHOULD, or SHOULD NOT.

1.2 References

Links to a document in the Microsoft Open Specifications library point to the correct section in the most recently published version of the referenced document. However, because individual documents in the library are not updated at the same time, the section numbers in the documents may not match. You can confirm the correct section numbering by checking the [Errata](#).

1.2.1 Normative References

We conduct frequent surveys of the normative references to assure their continued availability. If you have any issue with finding a normative reference, please contact dochelp@microsoft.com. We will assist you in finding the relevant information.

[MS-DSDIFFGRAM] Microsoft Corporation, "[SharePoint Web Services: DataSet DiffGram Structure](#)".

[MS-FQL2] Microsoft Corporation, "[Fast Query Language Version 2 Protocol](#)".

[MS-SADMWS] Microsoft Corporation, "[Search Site Administration Web Service Protocol](#)".

[MS-SEARCH] Microsoft Corporation, "[Search Protocol](#)".

[MS-SPSTWS] Microsoft Corporation, "[SharePoint Security Token Service Web Service Protocol](#)".

[MS-SRCHCSOM] Microsoft Corporation, "[Search Client Query Protocol](#)".

[RFC1738] Berners-Lee, T., Masinter, L., and McCahill, M., Eds., "Uniform Resource Locators (URL)", RFC 1738, December 1994, <http://www.rfc-editor.org/rfc/rfc1738.txt>

[RFC2119] Bradner, S., "Key words for use in RFCs to Indicate Requirement Levels", BCP 14, RFC 2119, March 1997, <http://www.rfc-editor.org/rfc/rfc2119.txt>

[RFC2396] Berners-Lee, T., Fielding, R., and Masinter, L., "Uniform Resource Identifiers (URI): Generic Syntax", RFC 2396, August 1998, <http://www.rfc-editor.org/rfc/rfc2396.txt>

[RFC2616] Fielding, R., Gettys, J., Mogul, J., et al., "Hypertext Transfer Protocol -- HTTP/1.1", RFC 2616, June 1999, <http://www.rfc-editor.org/rfc/rfc2616.txt>

[RFC3066] Alvestrand, H., "Tags for the Identification of Languages", BCP 47, RFC 3066, January 2001, <http://www.ietf.org/rfc/rfc3066.txt>

[RFC4627] Crockford, D., "The application/json Media Type for JavaScript Object Notation (JSON)", RFC 4627, July 2006, <http://www.rfc-editor.org/rfc/rfc4627.txt>

[SOAP1.1] Box, D., Ehnebuske, D., Kakivaya, G., et al., "Simple Object Access Protocol (SOAP) 1.1", W3C Note, May 2000, <http://www.w3.org/TR/2000/NOTE-SOAP-20000508/>

[SOAP1.2-1/2007] Gudgin, M., Hadley, M., Mendelsohn, N., et al., "SOAP Version 1.2 Part 1: Messaging Framework (Second Edition)", W3C Recommendation, April 2007, <http://www.w3.org/TR/2007/REC-soap12-part1-20070427/>

[WSDL] Christensen, E., Curbera, F., Meredith, G., and Weerawarana, S., "Web Services Description Language (WSDL) 1.1", W3C Note, March 2001, <http://www.w3.org/TR/2001/NOTE-wsdl-20010315>

[XMLNS] Bray, T., Hollander, D., Layman, A., et al., Eds., "Namespaces in XML 1.0 (Third Edition)", W3C Recommendation, December 2009, <http://www.w3.org/TR/2009/REC-xml-names-20091208/>

[XMLSCHEMA1/2] Thompson, H., Beech, D., Maloney, M., and Mendelsohn, N., Eds., "XML Schema Part 1: Structures Second Edition", W3C Recommendation, October 2004, <http://www.w3.org/TR/2004/REC-xmlschema-1-20041028/>

[XMLSCHEMA2/2] Biron, P., and Malhotra, A., Eds., "XML Schema Part 2: Datatypes Second Edition", W3C Recommendation, October 2004, <http://www.w3.org/TR/2004/REC-xmlschema-2-20041028/>

1.2.2 Informative References

[MS-SPTWS] Microsoft Corporation, "[Service Platform Topology Web Service Protocol](#)".

[MSDN-DataContractKnownTypes] Microsoft Corporation, "Data Contract Known Types", <http://msdn.microsoft.com/en-us/library/ms730167.aspx>

[MSDN-ResultsView] Microsoft Corporation, "ResultsView Enumeration", <http://msdn.microsoft.com/en-us/library/microsoft.office.server.search.webcontrols.resultsview.aspx>

[RFC2818] Rescorla, E., "HTTP Over TLS", RFC 2818, May 2000, <http://www.rfc-editor.org/rfc/rfc2818.txt>

[SOAP1.2-2/2007] Gudgin, M., Hadley, M., Mendelsohn, N., et al., "SOAP Version 1.2 Part 2: Adjuncts (Second Edition)", W3C Recommendation, April 2007, <http://www.w3.org/TR/2007/REC-soap12-part2-20070427>

1.3 Overview

This protocol allows a protocol client to issue **search queries** against a protocol server hosting a **search service application**.

Typical scenarios for using this protocol include:

- A protocol client issues a search query to the protocol server, and the protocol server responds with **query results**.
- A protocol client issues a search query to the protocol server, and the protocol server responds with **pre-query suggestions** or **post-query suggestions**.
- A protocol client submits the search query and the clicked query results to the protocol server for logging.
- A protocol client notifies the protocol server of errors encountered on the protocol client and timing of protocol client processing stages. The protocol server records these errors and time intervals for logging.

1.4 Relationship to Other Protocols

This protocol uses the **SOAP** message protocol for formatting request and response messages, as described in [\[SOAP1.1\]](#), [\[SOAP1.2-1/2007\]](#) and [\[SOAP1.2-2/2007\]](#). It transmits those messages by using **HTTP**, as described in [\[RFC2616\]](#), or **Hypertext Transfer Protocol over Secure Sockets Layer (HTTPS)**, as described in [\[RFC2818\]](#).

The following diagram shows the underlying messaging and transport stack used by the protocol:

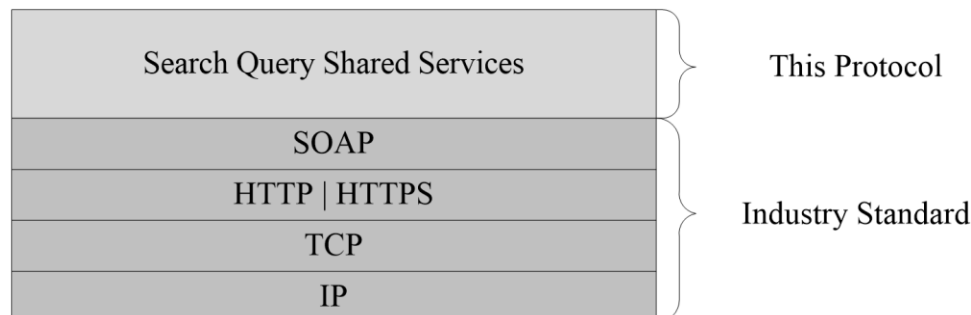


Figure 1: This protocol in relation to other protocols

1.5 Prerequisites/Preconditions

This protocol operates against a protocol server that exposes one or more **endpoint URIs** that are known by protocol clients. The endpoint URI of the protocol server and the transport that is used by the protocol server are either known by the protocol client or obtained by using the discovery mechanism that is described in [\[MS-SPTWS\]](#).

The protocol client obtains the requisite ApplicationClassId and ApplicationVersion values and the endpoint URI of the protocol server that provides the discovery mechanism, as described in [\[MS-SPTWS\]](#), by means that are independent of either protocol.

This protocol requires the protocol client to have permission to call the methods on the protocol server.

The protocol client implements the token-based security mechanisms that are required by the protocol server and related security protocols, as described in [\[MS-SPSTWS\]](#).

1.6 Applicability Statement

This protocol is intended for use by protocol clients and protocol servers that are connected by high-bandwidth, low-latency network connections.

This protocol was designed to query **search service applications** on an **application server** from a **front-end Web server**. This protocol was designed for returning results sets containing less than or equal to 10,000 rows.

1.7 Versioning and Capability Negotiation

This document covers versioning issues in the following areas:

- **Supported Transports:** This protocol can be implemented by using transports that support sending **Simple Object Access Protocol (SOAP)** messages, as described in section 2.1.
- **Protocol Versions:** This protocol is not versioned.

Capability Negotiation: This protocol does not support version negotiation.

1.8 Vendor-Extensible Fields

None.

1.9 Standards Assignments

None.

Preliminary

2 Messages

In the following sections, the schema definition might differ from the processing rules imposed by the protocol. The **WSDL** in this specification matches the WSDL that shipped with the product and provides a base description of the schema. The text that introduces the WSDL might specify differences that reflect actual Microsoft product behavior. For example, the schema definition might allow for an element to be **empty**, **null**, or **not present** but the behavior of the protocol as specified restricts the same elements to being **non-empty**, **not null**, and **present**.

2.1 Transport

Protocol servers **MUST** support **Simple Object Access Protocol (SOAP)** over **Hypertext Transfer Protocol (HTTP)**, **Hypertext Transfer Protocol over Secure Sockets Layer (HTTPS)**, or **TCP**.

All protocol messages **MUST** be transported by using HTTP or TCP bindings at the transport level.

Protocol messages **MUST** be formatted as specified in either [\[SOAP1.1\]](#) section 4 or [\[SOAP1.2-1/2007\]](#) section 5. Protocol server faults **MUST** be returned by using HTTP status codes, as specified in [\[RFC2616\]](#) section 10, or **SOAP faults**, as specified in [\[SOAP1.1\]](#) section 4.4 or [\[SOAP1.2-1/2007\]](#) section 5.4.

If the HTTPS transport is used, a server certificate **MUST** be deployed.

This protocol **MAY** transmit an additional SOAP header, the **ServiceContext** header, as specified in [\[MS-SPSTWS\]](#).

This protocol does not define any means for activating a protocol server or protocol client. The protocol server **MUST** be configured and begin listening in an implementation-specific way. In addition, the protocol client **MUST** know the format and transport that is used by the server, for example, the SOAP format over an HTTP transport.

2.2 Common Message Syntax

This section contains common definitions that are used by this protocol. The syntax of the definitions uses **XML schema**, as specified in [\[XMLSCHEMA1/2\]](#) and [\[XMLSCHEMA2/2\]](#), and **WSDL**, as specified in [\[WSDL\]](#).

2.2.1 Namespaces

This specification defines and references various **XML namespaces** using the mechanisms specified in [\[XMLNS\]](#). Although this specification associates a specific **XML namespace prefix** for each XML namespace that is used, the choice of any particular XML namespace prefix is implementation-specific and not significant for interoperability.

Prefix	Namespace URI	Reference
q1	http://schemas.datacontract.org/2004/07/Microsoft.Office.Server.Search.Administration	
q2	http://www.microsoft.com/sharepoint/search/KnownTypes/2008/08	
q3	http://schemas.microsoft.com/2003/10/Serialization/Arrays	
ser	http://schemas.microsoft.com/2003/10/Serialization/	
soap	http://schemas.xmlsoap.org/wsdl/soap/	[SOAP1.1]

Prefi x	Namespace URI	Reference
tns	http://tempuri.org/	
tns1	http://schemas.datacontract.org/2004/07/Microsoft.BusinessData.Infrastructure.SecureStore	
tns2	http://schemas.datacontract.org/2004/07/Microsoft.Ceres.CoreServices.Utils.Azure	
tns3	http://schemas.datacontract.org/2004/07/Microsoft.Office.SecureStoreService.Server	
tns4	http://schemas.datacontract.org/2004/07/Microsoft.Office.Server.Search.Monitoring	
tns5	http://schemas.datacontract.org/2004/07/Microsoft.Office.Server.Search.Query	
tns6	http://schemas.datacontract.org/2004/07/Microsoft.SharePoint.Administration	
tns7	http://schemas.datacontract.org/2004/07/System.Collections.Generic	
tns8	http://tempuri.org/Imports	
wsaw	http://www.w3.org/2006/05/addressing/wsdl	
wsdl	http://schemas.xmlsoap.org/wsdl/	[WSDL]
xs	http://www.w3.org/2001/XMLSchema	[XMLSCHEMA1/2] [XMLSCHEMA2/2]

2.2.2 Messages

This specification does not define any common **WSDL message** definitions.

2.2.3 Elements

This specification does not define any common **XML schema** element definitions.

2.2.4 Complex Types

The following table summarizes the set of common **XML schema** complex type definitions defined by this specification. XML schema complex type definitions that are specific to a particular operation are described with the operation.

Complex type	Description
AggregatedOMQueryLatencyDataBuffer	The AggregatedOMQueryLatencyDataBuffer complex type defines a set of properties that are used by the AggregatedOMQueryLatencyDataBuffer object as specified in abstract data model section 3.1.1.5
AggregatedUIQueryLatencyDataBuffer	The AggregatedUIQueryLatencyDataBuffer complex type defines a set of properties that are used by the AggregatedUIQueryLatencyDataBuffer object as specified in abstract data model section 3.1.1.5

Complex type	Description
AlertInfo	The AlertInfo complex type contains information about a search alert .
ArrayOfAggregatedOMQueryLatencyDataBuffer	The ArrayOfAggregatedOMQueryLatencyDataBuffer complex type contains a list of aggregated search query latencies for processing queries on the protocol server. Each entry in the list provides information about a set of search queries executed within a time period determined by the protocol server.
ArrayOfAggregatedUIQueryLatencyDataBuffer	The ArrayOfAggregatedUIQueryLatencyDataBuffer complex type contains a list of aggregated latency information for the search results page. Each entry in the list provides information about a set of search queries executed within a time period determined by the protocol server.
ArrayOfanyType	The ArrayOfanyType complex type represents an array of arbitrary object values.
ArrayOfboolean	A list of Boolean flags.
ArrayOfint	The ArrayOfint complex type <1> represents an array of integer values.
ArrayOfKeyValueOfintAggregatedOMQueryLatencyDataBuffer_PFsic3Az	The ArrayOfKeyValueOfintAggregatedOMQueryLatencyDataBuffer_PFsic3Az complex type <2> contains a list of aggregated search query latencies for processing queries on the protocol server. Each entry in the list provides information about a search of search queries executed within a time period determined by the protocol server.
ArrayOfKeyValueOfstringAggregatedOMQueryLatencyDataBuffer_PFsic3Az	The ArrayOfKeyValueOfstringAggregatedOMQueryLatencyDataBuffer_PFsic3Az complex type <3> contains a list of aggregated search query latencies for processing queries on the protocol server. Each entry in the list provides information about a search of search queries executed within a time period determined by the protocol server.
ArrayOfKeyValueOfstringAggregatedUIQueryLatencyDataBuffer_PFsic3Az	The ArrayOfKeyValueOfstringAggregatedUIQueryLatencyDataBuffer_PFsic3Az complex type <4> contains a list of aggregated latency information for the search results page. Each entry in the list provides information about a search of search queries executed within a time period determined by the protocol server.
ArrayOfKeyValueOfstringArrayOfKeyValueOfintAggregatedOMQueryLatencyDataBuffer_PFsic3Azty7Ep6D1	The ArrayOfKeyValueOfstringArrayOfKeyValueOfintAggregatedOMQueryLatencyDataBuffer_PFsic3Azty7Ep6D1 complex type <5> contains a list of aggregated search query latencies for processing queries on the protocol server. Each entry in the list provides information about a search of search queries executed within a time period determined by the protocol server.

Complex type	Description
ArrayOfKeyValueOfstringstring	The ArrayOfKeyValueOfstringstring complex type represents an array of properties in the form of key-value pairs.
ArrayOfKeyValueOfstringVerboseOMQueryLatencyDataBuffer_PFsic3Az	The ArrayOfKeyValueOfstringVerboseOMQueryLatencyDataBuffer_PFsic3Az complex type <6> contains a list of aggregated latency information. Each entry in the list provides latency information about a single search query.
ArrayOfKeyValueOfstringVerboseUIQueryLatencyDataBuffer_PFsic3Az	The ArrayOfKeyValueOfstringVerboseUIQueryLatencyDataBuffer_PFsic3Az complex type <7> contains a list of latency information about the search results page when processing individual search queries. Each entry provides information about a single search query.
ArrayOfPersonalResultSuggestion	The ArrayOfPersonalResultSuggestion complex type contains an array of personal results suggestions.
ArrayOfQuerySuggestionQuery	The ArrayOfQuerySuggestionQuery complex type contains an array of suggested queries.
ArrayOfSerializableSecureStoreCredential	The ArrayOfSerializableSecureStoreCredential complex type contains an array of serialized secure store credentials.
ArrayOfstring	The ArrayOfstring complex type represents an array of arbitrary string values.
ArrayOfVerboseOMQueryLatencyDataBuffer	The ArrayOfVerboseOMQueryLatencyDataBuffer complex type contains a list of latency information about the execution of search queries on the protocol server. Each entry provides information about a single search query.
ArrayOfVerboseQueryErrorDataBuffer	The ArrayOfVerboseQueryErrorDataBuffer complex type contains a list of information for errors occurred during the processing of search queries in the protocol client. Each entry in the list corresponds to an error.
ArrayOfVerboseUIQueryLatencyDataBuffer	The ArrayOfVerboseUIQueryLatencyDataBuffer complex type contains a list of latency information about the search results page when processing individual search queries. Each entry provides information about a single search query.
ArrayOfVerboseWebPartQueryLatencyDataBuffer	The ArrayOfVerboseWebPartQueryLatencyDataBuffer complex type contains the search query latency of the Web Parts in processing search queries within a 60-second time period. Each entry corresponds to the search query latency of a Web Part on the search results page.
AzureApiConfiguration	The AzureApiConfiguration complex type contains the Azure API configurations.
DataBuffer	The DataBuffer complex type defines a common set of properties that are used by the different types of DataBuffer objects as specified in abstract data model

Complex type	Description
	section 3.1.1.5.
DateRefinementInterval	The DateRefinementInterval complex type contains information about a refinement bin for a refiner of type DateTime. The protocol server MUST use this as a refinement bin if returning refinement values for a refiner where this is specified.
FullTextSqlQueryProperties	The FullTextSqlQueryProperties complex type contains information about a full-text Structured Query Language (SQL) search query. The FullTextSqlQueryProperties extends the QueryProperties data type as specified in section 2.2.4.11. If QueryProperties.ResultsProvider (as specified in section 2.2.4.11) is equal to SearchProvider.FASTSearch , the complex type MUST be ignored by the protocol server.
HighlightedString	The HighlightedString complex type represents a particular highlighted string within a text.
NumericRefinementInterval	The NumericRefinementInterval complex type contains information about a refinement bin for a numeric refiner. The protocol server MUST use this as a refinement bin if returning refinement values for a refiner where this is specified.
OMQueryLatencyDataBuffer	The OMQueryLatencyDataBuffer complex type contains a list of aggregated query latencies that are approximated to a value that is determined by the protocol server.
PagingCookie	The contents of the PagingCookie complex type are specific to the implementation of the protocol server. For more details on the usage of this complex type, see QueryProperties.PagingCookie as specified in section 2.2.4.11.
PersonalResultSuggestion	The PersonalResultSuggestion complex type contains a personal search result suggestion.
QueryDataBufferBaseOfAggregatedOMQueryLatencyDataBufferVerboseOMQueryLatencyDataBufferYrv50AqE	The QueryDataBufferBaseOfAggregatedOMQueryLatencyDataBufferVerboseOMQueryLatencyDataBufferYrv50AqE complex type contains lists of aggregated and per-search query latencies. Each entry in the aggregated list provides latency information about a set of search queries within a time period determined by the protocol server. Each entry in the verbose list provides information about one search query.
QueryDataBufferBaseOfAggregatedUIQueryLatencyDataBufferVerboseUIQueryLatencyDataBufferYrv50AqE	The QueryDataBufferBaseOfAggregatedUIQueryLatencyDataBufferVerboseUIQueryLatencyDataBufferYrv50AqE complex type contains lists of aggregated and per-search query latency information for the search results page. Each entry in the aggregated list provides latency information about a set of search queries within a time period determined by the protocol server. Each entry in the verbose list provides information about one search query.
QueryErrorDataBuffer	The QueryErrorDataBuffer complex type contains a

Complex type	Description
	list of information for errors occurred during the processing of search queries in the protocol client. Each entry in the list corresponds to an error.
QueryHealthMonitoringSettings	The QueryHealthMonitoringSettings complex type defines settings that are used to configure query health monitoring data collection into the objects defined in section 3.1.1.5.
QueryPersonalizationData	The QueryPersonalizationData complex type contains a unique identifier for the current user who is executing a search query.
QueryProperties	The QueryProperties complex type contains information common to all types of search queries. The QueryProperties data type is extended by the KeywordQueryProperties data type, as specified in section 3.1.4.7.3.1 , and the FullTextSqlQueryProperties data type, as specified in section 2.2.4.7 .
QuerySuggestionQuery	The QuerySuggestionQuery complex type contains a single suggested query.
QuerySuggestionResults	The QuerySuggestionResults complex type is a container for arrays of query suggestions, people name suggestions, and personal result suggestions.
SerializableSecureStoreCredential	The SerializableSecureStoreCredential complex type contains a serialized secure store credential.
UIQueryLatencyDataBuffer	The UIQueryLatencyDataBuffer complex type contains the search query latency of the search results page for search queries within a time period determined by the protocol server.
VerboseOMQueryLatencyDataBuffer	The VerboseOMQueryLatencyDataBuffer complex type contains details of the search query latency for a single search query.
VerboseQueryErrorDataBuffer	The VerboseQueryErrorDataBuffer complex type contains the information of an error occurred during the processing of a search query in the protocol client.
VerboseUIQueryLatencyDataBuffer	The VerboseUIQueryLatencyDataBuffer complex type contains details of search query latency for a single search query.
VerboseWebPartQueryLatencyDataBuffer	The VerboseWebPartQueryLatencyDataBuffer complex type contains detail of search query latency of a single Web Part.
WebPartQueryLatencyDataBuffer	The WebPartQueryLatencyDataBuffer complex type contains the latency of the Web Parts in processing search queries within a 60-second time period

2.2.4.1 PagingCookie

Namespace: <http://schemas.datacontract.org/2004/07/Microsoft.Office.Server.Search.Query>

The contents of the **PagingCookie** complex type are specific to the implementation of the protocol server. For more details on the usage of this complex type, see **QueryProperties.PagingCookie** as specified in section [2.2.4.11](#).

```
<xs:complexType name="PagingCookie" xmlns:xs="http://www.w3.org/2001/XMLSchema">
  <xs:sequence>
    <xs:any minOccurs="0" maxOccurs="unbounded" namespace="##local" processContents="skip"/>
  </xs:sequence>
  <xs:attribute ref="ser:FactoryType"/>
</xs:complexType>
```

ser:FactoryType: This specifies a factory class that can deserialize the type. The factory class **MUST** be part of the known types collection of the DataContractSerializer instance being used. For more information about known types, see [\[MSDN-DataContractKnownTypes\]](#).

2.2.4.2 ArrayOfanyType

Namespace: <http://schemas.microsoft.com/2003/10/Serialization/Arrays>

The **ArrayOfanyType** complex type represents an array of arbitrary object values.

```
<xs:complexType name="ArrayOfanyType" xmlns:xs="http://www.w3.org/2001/XMLSchema">
  <xs:sequence>
    <xs:element minOccurs="0" maxOccurs="unbounded" name="anyType" nillable="true"
      type="xs:anyType"/>
  </xs:sequence>
</xs:complexType>
```

anyType: Specifies an element of any arbitrary object type. The meaning of the element and whether the element's value is limited to a range depend on the context of usage.

2.2.4.3 ArrayOfstring

Namespace: <http://schemas.microsoft.com/2003/10/Serialization/Arrays>

The **ArrayOfstring** complex type represents an array of arbitrary string values.

```
<xs:complexType name="ArrayOfstring" xmlns:xs="http://www.w3.org/2001/XMLSchema">
  <xs:sequence>
    <xs:element minOccurs="0" maxOccurs="unbounded" name="string" nillable="true"
      type="xs:string"/>
  </xs:sequence>
</xs:complexType>
```

string: A single string value.

2.2.4.4 AlertInfo

Namespace: <http://www.microsoft.com/sharepoint/search/KnownTypes/2008/08>

The **AlertInfo** complex type contains information about a **search alert**.

```
<xs:complexType name="AlertInfo" xmlns:xs="http://www.w3.org/2001/XMLSchema">
  <xs:sequence>
    <xs:element
      xmlns:tns5="http://schemas.datacontract.org/2004/07/Microsoft.Office.Server.Search.Query"
      minOccurs="0" name="ChangeType" type="tns5:AlertChangeType"/>
  </xs:sequence>
</xs:complexType>
```



```
<xs:element minOccurs="0" name="LastUpdateTime" type="xs:dateTime"/>
</xs:sequence>
</xs:complexType>
```

ChangeType: The type of changes for which a search alert MUST be generated. MUST be an **AlertChangeType** data type, as specified in section [2.2.5.1](#).

LastUpdateTime: The date and time, in **Coordinated Universal Time (UTC)** format, when the search alert was last generated.

2.2.4.5 DataBuffer

Namespace: <http://www.microsoft.com/sharepoint/search/KnownTypes/2008/08>

The **DataBuffer** complex type defines a common set of properties that are used by the different types of **DataBuffer** objects as specified in abstract data model section [3.1.1.5](#).

```
<xs:complexType name="DataBuffer" xmlns:xs="http://www.w3.org/2001/XMLSchema">
  <xs:sequence>
    <xs:element minOccurs="0" name="ApplicationId" type="ser:guid"/>
    <xs:element minOccurs="0" name="EventTime" type="xs:dateTime"/>
    <xs:element minOccurs="0" name="MachineName" nillable="true" type="xs:string"/>
  </xs:sequence>
</xs:complexType>
```

ApplicationId: The unique identifier of the **search service application**.

EventTime: The date and time, in **UTC** format, at which the event occurred.

MachineName: The name of the computer on which the event occurred.

2.2.4.6 DateRefinementInterval

Namespace: <http://www.microsoft.com/sharepoint/search/KnownTypes/2008/08>

The **DateRefinementInterval** complex type contains information about a **refinement bin** for a **refiner** of type DateTime. The protocol server MUST use this as a refinement bin if returning **refinement values** for a refiner where this is specified.

```
<xs:complexType name="DateRefinementInterval" xmlns:xs="http://www.w3.org/2001/XMLSchema">
  <xs:complexContent mixed="false">
    <xs:extension base="q2:RefinementInterval">
      <xs:sequence>
        <xs:element minOccurs="0" name="LowerDate" type="xs:dateTime"/>
        <xs:element minOccurs="0" name="UpperDate" type="xs:dateTime"/>
      </xs:sequence>
    </xs:extension>
  </xs:complexContent>
</xs:complexType>
```

LowerDate: The lower bound of this refinement bin. Only dates later than or equal to this date can be part of this refinement bin.

UpperDate: The upper bound of this refinement bin. Only dates before or equal to this date can be part of this refinement bin.

2.2.4.7 FullTextSqlQueryProperties

Namespace: http://www.microsoft.com/sharepoint/search/KnownTypes/2008/08

The **FullTextSqlQueryProperties** complex type contains information about a full-text Structured Query Language (SQL) **search query**. The **FullTextSqlQueryProperties** extends the **QueryProperties** data type as specified in section [2.2.4.11](#). If **QueryProperties.ResultsProvider** (as specified in section 2.2.4.11) is equal to **SearchProvider.FASTSearch**, the complex type MUST be ignored by the protocol server.

```
<xs:complexType name="FullTextSqlQueryProperties"
  xmlns:xs="http://www.w3.org/2001/XMLSchema">
  <xs:complexContent mixed="false">
    <xs:extension base="q2:QueryProperties">
      <xs:sequence/>
    </xs:extension>
  </xs:complexContent>
</xs:complexType>
```

2.2.4.8 HighlightedString

Namespace: http://www.microsoft.com/sharepoint/search/KnownTypes/2008/08

The **HighlightedString** complex type represents a particular highlighted string within a text.

```
<xs:complexType name="HighlightedString" xmlns:xs="http://www.w3.org/2001/XMLSchema">
  <xs:sequence>
    <xs:element minOccurs="0" name="HighlightCount" type="xs:int"/>
    <xs:element minOccurs="0" name="Value" nillable="true" type="xs:string"/>
  </xs:sequence>
</xs:complexType>
```

HighlightCount: Specifies the number of occurrence of search terms that were highlighted. The value MUST greater than or equal to zero.

Value: The string that was highlighted.

2.2.4.9 NumericRefinementInterval

Namespace: http://www.microsoft.com/sharepoint/search/KnownTypes/2008/08

The **NumericRefinementInterval** complex type contains information about a **refinement bin** for a numeric **refiner**. The protocol server MUST use this as a refinement bin if returning **refinement values** for a refiner where this is specified.

```
<xs:complexType name="NumericRefinementInterval" xmlns:xs="http://www.w3.org/2001/XMLSchema">
  <xs:complexContent mixed="false">
    <xs:extension base="q2:RefinementInterval">
      <xs:sequence>
        <xs:element minOccurs="0" name="LowerNum" type="xs:long"/>
        <xs:element minOccurs="0" name="UpperNum" type="xs:long"/>
      </xs:sequence>
    </xs:extension>
  </xs:complexContent>
</xs:complexType>
```

LowerNum: The lower bound of this refinement bin. Only numbers larger than or equal to this value MUST be part of this refinement bin.

UpperNum: The upper bound of this refinement bin. Only numbers smaller than or equal to this value MUST be part of this refinement bin.

2.2.4.10 QueryPersonalizationData

Namespace: <http://www.microsoft.com/sharepoint/search/KnownTypes/2008/08>

The **QueryPersonalizationData** complex type contains a unique identifier for the current user who is executing a **search query**.

```
<xs:complexType name="QueryPersonalizationData" xmlns:xs="http://www.w3.org/2001/XMLSchema">
  <xs:sequence>
    <xs:element minOccurs="0" name="UserId" type="ser:guid"/>
  </xs:sequence>
</xs:complexType>
```

UserId: Specifies a **GUID** that identifies the user profile of the current user.

2.2.4.11 QueryProperties

Namespace: <http://www.microsoft.com/sharepoint/search/KnownTypes/2008/08>

The **QueryProperties** complex type contains information common to all types of **search queries**. The **QueryProperties** data type is extended by the **KeywordQueryProperties** data type, as specified in section [3.1.4.7.3.1](#), and the **FullTextSqlQueryProperties** data type, as specified in section [2.2.4.7](#).

```
<xs:complexType name="QueryProperties" xmlns:xs="http://www.w3.org/2001/XMLSchema">
  <xs:sequence>
    <xs:element minOccurs="0" name="AlertInfo" nillable="true" type="q2:AlertInfo"/>
    <xs:element
      xmlns:tns5="http://schemas.datacontract.org/2004/07/Microsoft.Office.Server.Search.Query"
      minOccurs="0" name="AuthenticationType" type="tns5:QueryAuthenticationType"/>
    <xs:element minOccurs="0" name="CorrelationId" type="ser:guid"/>
    <xs:element minOccurs="0" name="EnableNicknames" type="xs:boolean"/>
    <xs:element minOccurs="0" name="EnablePhonetic" type="xs:boolean"/>
    <xs:element minOccurs="0" name="EnableStemming" type="xs:boolean"/>
    <xs:element minOccurs="0" name="FarmId" type="ser:guid"/>
    <xs:element
      xmlns:tns5="http://schemas.datacontract.org/2004/07/Microsoft.Office.Server.Search.Query"
      minOccurs="0" name="Hint" type="tns5:QueryHint"/>
    <xs:element xmlns:q3="http://schemas.microsoft.com/2003/10/Serialization/Arrays"
      minOccurs="0" name="HitHighlightedProperties" nillable="true" type="q3:ArrayOfanyType"/>
    <xs:element minOccurs="0" name="IgnoreAllNoiseQuery" type="xs:boolean"/>
    <xs:element
      xmlns:tns5="http://schemas.datacontract.org/2004/07/Microsoft.Office.Server.Search.Query"
      minOccurs="0" name="KeywordInclusion" type="tns5:KeywordInclusion"/>
    <xs:element minOccurs="0" name="Locale" type="xs:int"/>
    <xs:element minOccurs="0" name="MergeWithDefaultPartition" type="xs:boolean"/>
    <xs:element minOccurs="0" name="OLSQuerySession" nillable="true" type="xs:string"/>
    <xs:element
      xmlns:tns5="http://schemas.datacontract.org/2004/07/Microsoft.Office.Server.Search.Query"
      minOccurs="0" name="PagingCookie" nillable="true" type="tns5:PagingCookie"/>
    <xs:element minOccurs="0" name="PartitionId" type="ser:guid"/>
    <xs:element minOccurs="0" name="PersonalizationData" nillable="true"
      type="q2:QueryPersonalizationData"/>
    <xs:element minOccurs="0" name="QueryText" nillable="true" type="xs:string"/>
    <xs:element minOccurs="0" name="RankingModelId" nillable="true" type="xs:string"/>
    <xs:element
      xmlns:tns5="http://schemas.datacontract.org/2004/07/Microsoft.Office.Server.Search.Query"
      minOccurs="0" name="ResultTypes" type="tns5:ResultType"/>
  </xs:sequence>
</xs:complexType>
```

```

    <xs:element
xmlns:tns5="http://schemas.datacontract.org/2004/07/Microsoft.Office.Server.Search.Query"
minOccurs="0" name="ResultsProvider" type="tns5:SearchProvider"/>
    <xs:element minOccurs="0" name="RowLimit" type="xs:int"/>
    <xs:element minOccurs="0" name="RowsPerPage" type="xs:int"/>
    <xs:element minOccurs="0" name="Sid" nillable="true" type="xs:string"/>
    <xs:element minOccurs="0" name="SiteId" type="ser:guid"/>
    <xs:element minOccurs="0" name="StartRow" type="xs:int"/>
    <xs:element minOccurs="0" name="SummaryLength" type="xs:int"/>
    <xs:element minOccurs="0" name="TimeZoneID" type="xs:int"/>
    <xs:element minOccurs="0" name="Timeout" type="xs:int"/>
    <xs:element minOccurs="0" name="TotalRowsExactMinimum" type="xs:int"/>
    <xs:element minOccurs="0" name="TrimDuplicates" type="xs:boolean"/>
    <xs:element
xmlns:tns6="http://schemas.datacontract.org/2004/07/Microsoft.SharePoint.Administration"
minOccurs="0" name="UrlZone" type="tns6:SPUrlZone"/>
    <xs:element minOccurs="0" name="UseOLSQuery" type="xs:int"/>
    <xs:element minOccurs="0" name="WcfTimeout" type="xs:int"/>
    <xs:element minOccurs="0" name="WebId" type="ser:guid"/>
    <xs:element xmlns:q3="http://schemas.microsoft.com/2003/10/Serialization/Arrays"
minOccurs="0" name="Properties" nillable="true" type="q3:ArrayOfKeyValueOfstringanyType"/>
    <xs:element minOccurs="0" name="PropertiesContractVersion" nillable="true"
type="xs:string"/>
    <xs:element minOccurs="0" name="RemainingDeserializationSkips" type="xs:int"/>
    <xs:element minOccurs="0" name="SerializedPropertyBag" nillable="true" type="xs:string"/>
    <xs:element minOccurs="0" name="DirectImsEndpointUri" nillable="true" type="xs:anyURI"/>
  </xs:sequence>
</xs:complexType>

```

AlertInfo: Specifies information about a **search alert**. MUST be an **AlertInfo** data type, as specified in section [2.2.4.4](#). If the **ResultsProvider** element of **QueryProperties** is equal to **SearchProvider.FASTSearch**, the complex type MUST be ignored by the protocol server.

AuthenticationType: The type of search **security descriptor** that is used for **security trimming**. MUST be a **QueryAuthenticationType**, as specified in section [2.2.5.3](#). If this element is not present or a value is not specified, a default value of **QueryAuthenticationType.NtAuthenticatedQuery** MUST be used by the protocol server. If the **ResultsProvider** element of **QueryProperties** is equal to **SearchProvider.FASTSearch**, the complex type MUST be ignored by the protocol server.

CorrelationId: The **GUID** used to log all the information for a search query in diagnostic logs.

EnableNicknames: Specifies whether the exact tokens in the query text are used to find crawled items or whether the nicknames of the tokens are considered as well. A value of "true" indicates that the protocol server MAY consider nicknames; a value of "false" indicates that the protocol server MUST NOT consider nicknames. If this element is not present or a value is not specified, a default value of "false" MUST be used.

If **QueryProperties** is extended by the **KeywordQueryProperties** data type, this element applies to the whole query text.

If **QueryProperties** is extended by the **FullTextSqlQueryProperties** data type, this element applies to the **FREETEXT** predicate in the **SharePoint Search SQL syntax**, as specified in [\[MS-SEARCH\]](#) section 2.2.12.3.1.2 and section 2.2.13.3.1.2.

If the **ResultsProvider** element of **QueryProperties** is equal to **SearchProvider.FASTSearch**, the complex type MUST be ignored by the protocol server.

EnablePhonetic: Specifies whether the phonetic forms of the given tokens are used to locate crawled items or not. A value of "true" indicates that the protocol server MUST consider phonetic forms; a value of "false" indicates that the protocol server MUST NOT consider the phonetic forms.

If this element is not present or a value is not specified, a default value of "false" MUST be used.

If this element is "true", the protocol server MUST do an inexact match based on heuristics between the phonetic representation of each token against all the values of all the managed properties for which the value of **ManagedPropertyInformation.Pronunciation** is "true", as specified in section [3.1.1.3](#).

If **QueryProperties** is extended by the **KeywordQueryProperties** data type, this element applies to the whole **query text**.

If **QueryProperties** is extended by the **FullTextSqlQueryProperties** data type, this element applies to the **FREETEXT** predicate in the **SharePoint Search SQL syntax**, as specified in [MS-SEARCH] section 2.2.12.3.1.2 and section 2.2.13.3.1.2.

If the **ResultsProvider** element of **QueryProperties** is equal to **SearchProvider.FASTSearch**, the complex type MUST be ignored by the protocol server.

EnableStemming: Specifies whether **inflectional forms** of the given tokens are used to locate crawled items or not. If this element is "true", the protocol server can use inflectional forms to locate crawled items. If this element is "false", the protocol server MUST NOT use inflectional forms to locate crawled items. For example, if it is set to "true", search queries with the query text "car" return crawled items containing the token "car" or the token "cars", if such items exist.

If this element is not present or a value is not specified, a default value of "false" MUST be used.

If **QueryProperties** is extended by the **KeywordQueryProperties** data type, this element applies to the whole query text.

If **QueryProperties** is extended by the **FullTextSqlQueryProperties** data type, this element applies to the **FREETEXT** predicate of the **SharePoint Search SQL syntax**, as specified in [MS-SEARCH] section 2.2.12.3.1.2 and section 2.2.13.3.1.2.

FarmId: MUST be a **guid** type, as specified in section [2.2.5.8](#). MUST have value of {BAA1B08F-CBCA-4AF8-95FE-67BA9526F9B6}.

Hint: Specifies whether the protocol server uses the **metadata index** or the **full-text index catalog** when processing a search query. MUST be a **QueryHint** type, as specified in section [2.2.5.4](#). If this element is not present or a value is not specified, a default value of "QueryHint.None" MUST be used.

HitHighlightedProperties: A list of properties that the protocol server includes in the **HitHighlightedProperties** for each result. MUST be an **ArrayOfanyType** type, as specified in section [2.2.4.2](#). This element MUST be present if the **ResultType** is not "ResultType.None".

For each result, the protocol server MUST include properties in this element only if **PropertyInformation.M_TypeFullName** is equal to **System.String**, as specified in section [3.1.4.3.3.2](#).

If **QueryProperties** is extended by the **KeywordQueryProperties** data type, for each result, the protocol server MUST include only properties in this element and the properties specified in the **KeywordQueryProperties.selectProperties** element.

If **QueryProperties** is extended by the **FullTextSqlQueryProperties** data type, for each search result, the protocol server MUST include only the properties specified in the **SELECT** statement of the **SharePoint Search SQL syntax**, as specified in [MS-SEARCH] section 2.2.12.3 and 2.2.13.3.

If the **ResultsProvider** element of **QueryProperties** is equal to **SearchProvider.FASTSearch**, the complex type MUST be ignored by the protocol server.

IgnoreAllNoiseQuery: Specifies how to respond to query text that contains only **noise words**. If this element is not present or a value is not specified, a default value of "true" MUST be used.

If **QueryProperties** is extended by the **KeywordQueryProperties** data type, this element MUST be ignored.

If **QueryProperties** is extended by the **FullTextSqlQueryProperties** data type, a value of "true" indicates that the search query where all the full-text predicates that contain only noise words MUST fail and the protocol server MUST return a **FaultException<ExceptionDetail>** message, and assume "true" for all the crawled items. A value of "false" indicates that the full text predicates containing only noise words will be returned.

If the **ResultsProvider** element of **QueryProperties** is equal to **SearchProvider.FASTSearch**, the complex type MUST be ignored by the protocol server.

KeywordInclusion: Specifies whether all the tokens in the search query are required. MUST be a **KeywordInclusion** type, as specified in section [2.2.5.2](#). If this element is not present or a value is not specified, a default value of "KeywordInclusion.AllKeywords" MUST be used.

If **QueryProperties** is extended by the **KeywordQueryProperties** complex type, this element applies to the whole query text.

If **QueryProperties** is extended by the **FullTextSqlQueryProperties** complex type, this element applies to the text specified in the **FREETEXT** statement of the **SharePoint Search SQL syntax**, as specified in [MS-SEARCH] section 2.2.12.3.1.2 and section 2.2.13.3.1.2.

Locale: The language of the query text as a **language code identifier (LCID)**. The protocol server SHOULD use this information to influence its interpretation of the query text. If this element is not present or a value is not specified, the server MUST return a **FaultException<ExceptionDetail>** message.

MergeWithDefaultPartition: Specifies whether the protocol server also queries the default **index partition**, which is a special index partition with ID equal to "0C37852B-34D0-418e-91C6-2AC25AF4BE5B". If the element is "true", the protocol server MUST query the default index partition and merge with the result. If the element is "false", the protocol server MUST NOT query the default index partition.

OLSQuerySession: This parameter MUST be set to NULL by the protocol client if set. This parameter is ignored by the protocol server.

PagingCookie: Specifies the client-side state **cookie**. If this element is not present or a value is not specified, a default value of NULL MUST be used. The protocol server SHOULD use this element to round-trip the internal state required for paging of **query results**. The contents and use of this element are specific to the implementation of the protocol server. If this element is present and is non-empty, the protocol client MUST transfer the contents of this element as-is to the **PagingCookie** element that is sent on subsequent calls to the protocol server for additional query results for the same search query.

If the **ResultsProvider** element of **QueryProperties** is equal to **SearchProvider.FASTSearch**, the complex type MUST be ignored by the protocol server.

PartitionId: The GUID of the index partition that is used for this search query. If this element is not present or a value is not specified, a default value of an **empty GUID** MUST be used.

If the **ResultsProvider** element of **QueryProperties** is equal to **SearchProvider.FASTSearch**, the complex type MUST be ignored by the protocol server.

PersonalizationData: A unique identifier for the current user on whose behalf the search query is executed. MUST be a **QueryPersonalizationData** type, as specified in section [2.2.4.10](#). The use of this identifier is specific to the implementation of the protocol server.

If the **ResultsProvider** element of **QueryProperties** is equal to **SearchProvider.FASTSearch**, the complex type MUST be ignored by the protocol server.

QueryText: The query text of the search query. If this element is not present or a value is not specified, a default value of an **empty string** MUST be used, and the server MUST return a **FaultException<ExceptionDetail>** message.

If **QueryProperties** is extended by the **KeywordQueryProperties** complex type, the number of characters in **QueryText** MUST be less than or equal to 2048, and the value of **QueryText** MUST conform to the **SharePoint Search Keyword Syntax**, as specified in [MS-SEARCH] section 2.2.12.3 and 2.2.13.3.

If **QueryProperties** is extended by the **FullTextSqlQueryProperties** complex type, the number of characters in **QueryText** MUST be less than or equal to 4096, and the value of **QueryText** MUST conform to the **SharePoint Search SQL Syntax**, as specified in the **SELECT Statement** in [MS-SEARCH] section 2.2.12.3 and 2.2.13.3.

RankingModelId: The GUID of the **ranking model** that SHOULD be used for this search query. If this element is not present or a value is not specified, the protocol server MUST use the default ranking model, according to protocol server configuration.

If the **ResultsProvider** element of **QueryProperties** is equal to **SearchProvider.FASTSearch**, the complex type MUST be ignored by the protocol server.

ResultTypes: The type of search results that are returned for the search query. MUST be a **ResultType** data type, as specified in section 2.2.5.5. If this element is not present or a value is not specified, a default value of "ResultType.None" MUST be used.

ResultsProvider: The **result provider** that is used for this search query. MUST be a **SearchProvider** type, as specified in section 2.2.5.6. The valid values for this element depend on the query role of the protocol server, as specified in the following table.

Query role for the protocol	Result provider computation
SharePoint Server search query role	The value of the ResultsProvider element that is set by the protocol client MUST be ignored and the protocol server MUST use "SearchProvider.SharepointSearch" as the value for ResultsProvider .
FAST search query role	The protocol server MUST maintain a user-configurable default value for the result provider, as specified in SearchServiceApplication.DefaultSearchProvider in section 3.1.1.2. This value MUST be either "SearchProvider.FASTSearch" or "SearchProvider.SharepointSearch". If the ResultsProvider element is specified, the protocol server MUST use the value specified in the ResultsProvider element. If the value is "SearchProvider.Default", or if the ResultsProvider element is not specified, the protocol server MUST use the configured default value as the value for ResultsProvider .

RowLimit: The number of search results the protocol client wants to receive, starting at the index specified in the **StartRow** element. The **RowLimit** value MUST be greater than or equal to zero.

The protocol server returns search results from the sorted list of all search results, and the count of the returned search results MUST be no more than the value of **RowLimit**.

If **QueryProperties** is extended by the **KeywordQueryProperties** data type, the sort order for the list of search results is specified by the **KeywordQueryProperties.SortList** element.

If **QueryProperties** is extended by the **FullTextSqlQueryProperties** data type, the sort order for the list of search results is specified in the **ORDER BY** clause on the **SELECT Statement** of the **SharePoint Search SQL syntax**, as specified in [MS-SEARCH] section 2.2.12.3 and 2.2.13.3.

If the total number of search results returned for a search query is greater than or equal to the value of the **StartRow** element, but less than the value of the **StartRow** element and the **RowLimit** element combined, the protocol server MUST return as many search results as available.

If this element is not present or a value is not specified, a default value of "50" MUST be used.

RowsPerPage: The number of result items the protocol client displays per page. If this element is set to an integer value less than 1, the value of the **RowLimit** element MUST be used as the default value.

Sid: The **security identifier (SID)** of the user for whom the protocol client is requesting search results. If this element is non-empty, the protocol server MUST use this value for security trimming.

SiteId: The **site collection identifier** of the **site collection** that is used by the protocol server to identify the **context** of the search query. MUST be a **guid** type, as specified in section 2.2.5.8. If this element is not present or a value is not specified, a default value of the empty GUID MUST be used.

StartRow: A zero-based index of the first search result in the list of all search results the protocol server returns. The **StartRow** value MUST be greater than or equal to zero.

If this element is not present or a value is not specified, a default value of zero ("0") MUST be used.

SummaryLength: The maximum number of characters in the result summary. The protocol server MUST return a **HitHighlightedSummary** property that contains less than or equal to **SummaryLength** number of characters. The **SummaryLength** value MUST be greater than or equal to zero and less than or equal to 10000.

TimeZoneID: The local time zone identifier that represents the local time zone of the website that processes the search query. The protocol server MUST return the local time identifier according to the specified time zone.

Timeout: The maximum time in milliseconds that the protocol server spends in executing a search query. If this element is not present or a value is not specified, a default value of "10000" MUST be used.

TotalRowsExactMinimum: The total number of search results, starting at the index specified in the **StartRow** element, until the protocol server returns the exact count in **ResultTable.TotalRows**, as specified in section [3.1.4.1.3.6](#). If this element is not present or a value is not specified, a default value of "200" MUST be used.

This property is used by a Search Paging control to accurately show the number of pages of results that are available for this search query.

If the **ResultsProvider** element of **QueryProperties** is equal to **SearchProvider.FASTSearch**, the complex type MUST be ignored by the protocol server.

TrimDuplicates: Specifies whether **duplicates** are removed by the protocol server before sorting, selecting, and sending the search results. A value of "true" indicates that the protocol server SHOULD perform **duplicate result removal**. A value of "false" indicates that the protocol server MUST NOT attempt to perform duplicate result removal. If this element is not present or a value is not specified,

a default value of "true" MUST be used. The algorithm used for duplicate detection is specific to the implementation of the protocol server.

UrlZone: The zone that is used for **alternate access mapping**, MUST be a **SPUrlZone** type as specified in section [2.2.5.7](#). If this element is not present or a value is not specified, the protocol server MUST use **SPUrlZone.Default** as the default.

If the **ResultsProvider** element of **QueryProperties** is equal to **SearchProvider.FASTSearch**, the complex type MUST be ignored by the protocol server.

UseOLSQuery: This parameter MUST be set to zero ("0") by the protocol client if set. This parameter is ignored by the protocol server.

WcfTimeout: Maximum time in milliseconds that the protocol server spends in communicating over a communication channel. If a value 0 is specified the protocol server MUST NOT timeout. If this element is not present or a value is not specified, a default value of "120000" MUST be used.

WebId: The **site identifier** of the **site** that is used by the protocol server to identify the context of the search query. MUST be a **guid** type, as specified in section [2.2.5.8](#). If this element is not present or a value is not specified, a default value of "Guid.Empty", which is an instance of the **guid** type with a value of all zeros, MUST be used.

Properties: Specifies a property bag of key value pairs. This element MUST be of **ArrayOfKeyValueOfstringanyType** data type as specified in section [2.2.4.18](#), and SHOULD contain the following properties:

- **MaxSnippetLength:** Specifies the maximum length of the **HitHighlightedSummary** generated for search result.
- **DesiredSnippetLength:** Specifies the preferred length of the hit highlighted summary generated for search result.
- **Id:** Specifies the identifier for the query. MUST NOT be NULL.
- **SourceId:** Specifies the unique identifier for result source to use for executing the search query. If no value is specified then the protocol server MUST use the id for the default result source.
- **ShowPeopleNameSuggestions:** Specifies if people names are included in query suggestions.
- **ResultsUrl:** Specifies the **URL** for the page where the search results are going to be displayed.
- **QueryTag:** Specifies the custom tags to be used to identify the query. Multiple tags MUST be separated with a semicolon.
- **EnableInterleaving:** Specifies if the result sets which are generated by executing query rule actions to add result block are mixed with the result set for the original query. If true, **ResultTableCollection** (as specified in section [3.1.4.1.3.1](#)) produced as a result of executing the search query MUST contain a **ResultTable** (as specified in section [3.1.4.1.3.6](#)) with **TableType** value "InterleavingInformation", which has the information about how to interleave the result sets for display.
- **Priority:** Reserved. MUST be ignored by protocol server.
- **IntentQueryId:** Reserved. MUST be ignored by protocol server.
- **BypassResultTypes:** Specifies if the search result item type SHOULD be returned for the query results. If "true", the search result item type will not be returned.
- **ProcessBestBets:** Specifies if the search promoted results SHOULD be returned, if available, as a result set. If "true", the search promoted results will be returned, if available, as a result set.

- **ClientType:** Specifies information about the protocol client.
- **GenerateBlockRankLog:** If TRUE, the protocol server SHOULD return block rank log. Otherwise, the protocol server MUST NOT return the block rank log information. A block rank log SHOULD contain the textual information about the block score and the documents that were de-duplicated. The exact format of the block rank log is an implementation detail of the server and MUST NOT be interpreted by the protocol client.
- **BlockDedupeMode:** Specifies whether a duplicate result SHOULD be removed from the result table collection or not. MUST be one of the following values:

Value	Meaning
0	No deduping.
1	Only remove from substrate if the result is already included in a higher ranking block.
2	Remove duplicates from substrate and blocks if already seen in a higher ranking block.
3	Remove entire block if any block document is already seen in a higher ranking block or substrate (default).

- If BlockDedupeMode is not set, the server MUST behave as if 3 were specified.
- **EnableOrderingHitHighlightedProperty:** Specifies whether values of multi-value properties are ordered by the number of words that match the query. If TRUE, values for each property are sorted in descending order by the number of hits. If FALSE, values will be returned in the original order.
- **HitHighlightedMultivaluePropertyLimit:** Specifies the maximum number of hit highlighted values of multi-value properties to be returned.
- **ProcessPersonalFavorites:** MUST be TRUE if personal favorites are requested to be returned with search results and FALSE otherwise.
- **UILanguage:** Specifies the LCID for **UI culture**.
- **QueryTemplate:** This is the text that will replace the query text. It can contain query variables which a **query transform** will replace during execution of the query.

PropertiesContractVersion: Specifies the version of **QueryProperties** complex type being used by the protocol client. SHOULD be set to 14.0.0.0<8>, 14.5.0.0<9> or 15.0.0.0<10>. If no value is specified then the protocol server MUST set the value to 14.0.0.0. If any other value is specified then the protocol server MUST respond as if 15.0.0.0 was set as the version.

RemainingDeserializationSkips: Specifies the recommended serialization steps to skip. The protocol server MAY use this recommendation to determine when to de-serialize the value in **SerializedPropertyBag** to key value pairs stored in **Properties**.

SerializedPropertyBag: Specifies a serialized representation of key value pairs in **Properties**, serialized using the DataContractSerializer. The protocol server MAY use this value for any subsequent communication over network to optimize the serialization time for properties.

DirectImsEndpointUri: An endpoint URI that serves search. [<11>](#) The protocol server will provide the endpoint URI if this value is null.

2.2.4.12 AggregatedOMQueryLatencyDataBuffer

Namespace: http://www.microsoft.com/sharepoint/search/KnownTypes/2008/08

The **AggregatedOMQueryLatencyDataBuffer** complex type defines a set of properties that are used by the **AggregatedOMQueryLatencyDataBuffer** object as specified in abstract data model section [3.1.1.5](#)

```
<xs:complexType name="AggregatedOMQueryLatencyDataBuffer"
xmlns:xs="http://www.w3.org/2001/XMLSchema">
  <xs:complexContent mixed="false">
    <xs:extension base="q2:DataBuffer">
      <xs:sequence>
        <xs:element minOccurs="0" name="ApplicationType" nillable="true" type="xs:string"/>
        <xs:element minOccurs="0" name="Constellation" nillable="true" type="xs:string"/>
        <xs:element minOccurs="0" name="CustomTags" nillable="true" type="xs:string"/>
        <xs:element minOccurs="0" name="IMSProxyTimeMs" type="xs:int"/>
        <xs:element minOccurs="0" name="ImsFlow" nillable="true" type="xs:string"/>
        <xs:element minOccurs="0" name="NumQueries" type="xs:int"/>
        <xs:element minOccurs="0" name="QPTimeMs" type="xs:int"/>
        <xs:element minOccurs="0" name="ResultPageUrl" nillable="true" type="xs:string"/>
        <xs:element minOccurs="0" name="TenantId" nillable="true" type="xs:string"/>
        <xs:element minOccurs="0" name="TotalQueryTimeMs" type="xs:int"/>
      </xs:sequence>
    </xs:extension>
  </xs:complexContent>
</xs:complexType>
```

ApplicationType: The client type of the **search queries**. If **ClientType** (as specified in section [3.1.4.7.3.1](#)) is set and **QueryHealthMonitoringSettings.AggregatorFilters** (as specified in section [2.2.4.40](#)) has value 2 set to true, then **ApplicationType** MUST be equal to it, otherwise it will be assigned a value by the protocol server. [<12>](#)

Constellation: The identification of the index constellation. The identification is added by the protocol server and identifies the index instance.

CustomTags: Tags that are added during processing of queries by the protocol server to help characterize the search queries, in addition to **QueryTags** (as specified in section 3.1.4.7.3.1), delimited by semicolons, if **QueryHealthMonitoringSettings.AggregatorFilters** (as specified in section 2.2.4.40) has value 5 set to true. [<13>](#)

IMSProxyTimeMs: The total time in milliseconds reported by the protocol server for intermediate processing of all the search queries in a time period determined by the protocol server. To calculate the total time specified here, the protocol client MUST sum up the time reported by the protocol server in **ResultTableCollection.IMSProxyTime** (see section [3.1.4.1.3.1](#)) for all these search queries. [<14>](#)

ImsFlow: The query and result processing flow used to run the search queries. If **QueryHealthMonitoringSettings.AggregatorFilters** (as specified in section 2.2.4.40) has value 4 set to true then this MUST have a value. If **FlowName** (as specified in section 3.1.4.7.3.1) is set, then **ImsFlow** MUST be equal to it, otherwise it will be assigned a value by the protocol server. [<15>](#)

NumQueries: The number of search queries processed within a time period determined by the protocol server on the protocol server from the protocol client.

QPTimeMs: The total time in milliseconds reported by the protocol server for intermediate processing of all the search queries in a time period determined by the protocol server. To calculate the total time

specified here, the protocol client MUST sum up the time reported by the protocol server in **ResultTableCollection.QueryProcessingTime** (see section 3.1.4.1.3.1) for all these search queries.

ResultPageUrl: The URI of the result page from which the search queries originate. MUST be equal to **ResultsUrl** (as specified in section 3.1.4.7.3.1) if QueryHealthMonitoringSettings.AggregatorFilters (as specified in section 2.2.4.40) has value 3 set to true. <16>

TenantId: The unique identifier of the **tenant** that runs the search queries. This value MUST be set if **QueryHealthMonitoringSettings.AggregatorFilters** (as specified in section 2.2.4.40) has value 1 set to true. <17>

TotalQueryTimeMs: The total time in milliseconds reported by the protocol server for processing of all the search queries in a time period determined by the protocol server. To calculate the total time specified here, the protocol client MUST sum up the time reported by the protocol server in **ResultTableCollection.ElapsedTime** (see section 3.1.4.1.3.1) for all these search queries.

2.2.4.13 AggregatedUIQueryLatencyDataBuffer

Namespace: http://www.microsoft.com/sharepoint/search/KnownTypes/2008/08

The **AggregatedUIQueryLatencyDataBuffer** complex type defines a set of properties that are used by the **AggregatedUIQueryLatencyDataBuffer** object as specified in abstract data model section [3.1.1.5](#)

```
<xs:complexType name="AggregatedUIQueryLatencyDataBuffer"
xmlns:xs="http://www.w3.org/2001/XMLSchema">
  <xs:complexContent mixed="false">
    <xs:extension base="q2:DataBuffer">
      <xs:sequence>
        <xs:element minOccurs="0" name="ApplicationType" nillable="true" type="xs:string"/>
        <xs:element minOccurs="0" name="CustomTags" nillable="true" type="xs:string"/>
        <xs:element minOccurs="0" name="ExclusiveWebpartTimeMs" type="xs:int"/>
        <xs:element minOccurs="0" name="ImsFlow" nillable="true" type="xs:string"/>
        <xs:element minOccurs="0" name="InclusiveWebpartTimeMs" type="xs:int"/>
        <xs:element minOccurs="0" name="NumQueries" type="xs:int"/>
        <xs:element minOccurs="0" name="ResultPageUrl" nillable="true" type="xs:string"/>
        <xs:element minOccurs="0" name="TenantId" nillable="true" type="xs:string"/>
        <xs:element minOccurs="0" name="TotalQueryTimeMs" type="xs:int"/>
      </xs:sequence>
    </xs:extension>
  </xs:complexContent>
</xs:complexType>
```

ApplicationType: The client type of the search queries. If **ClientType** (as specified in section [3.1.4.7.3.1](#)) is set and QueryHealthMonitoringSettings.AggregatorFilters (as specified in section [2.2.4.40](#)) has value 2 set to true, then ApplicationType MUST be equal to it, otherwise it will be assigned a value by the protocol server. <18>

CustomTags: Tags that are added during processing of queries by the protocol server to help characterize the search queries, in addition to **QueryTags** (as specified in section 3.1.4.7.3.1), delimited by semi-colons, if QueryHealthMonitoringSettings.AggregatorFilters (as specified in section 2.2.4.40) has value 5 set to true. <19>

ExclusiveWebpartTimeMs: The total time in milliseconds for the **Web Parts** on the search results page to process the search queries.

ImsFlow: The query and result processing flow used to run the search queries. If QueryHealthMonitoringSettings.AggregatorFilters (as specified in section 2.2.4.40) has value 4 set to true then this MUST have a value. If **FlowName** (as specified in section 3.1.4.7.3.1) is set, then ImsFlow MUST be equal to it, otherwise it will be assigned a value by the protocol server. <20>

InclusiveWebpartTimeMs: The total time in milliseconds for all Web Parts on the search results page to process the search queries.

NumQueries: The number of search queries processed within a time period determined by the protocol server on the protocol server from the protocol client.

ResultPageUri: The URI of the result page from which the search queries originate. MUST be equal to **ResultsUri** (as specified in section 3.1.4.7.3.1) if

QueryHealthMonitoringSettings.AggregatorFilters (as specified in section 2.2.4.40) has value 3 set to true. <21>

TenantId: The unique identifier of the **tenant** that runs the search queries. This value MUST be set if **QueryHealthMonitoringSettings.AggregatorFilters** (as specified in section 2.2.4.40) has value 1 set to true. <22>

TotalQueryTimeMs: The total time in milliseconds for the search results page to process the search queries.

2.2.4.14 ArrayOfKeyValueOfintAggregatedOMQueryLatencyDataBuffer_PFsic3Az

Namespace: http://schemas.microsoft.com/2003/10/Serialization/Arrays

The **ArrayOfKeyValueOfintAggregatedOMQueryLatencyDataBuffer_PFsic3Az** complex type <23> contains a list of aggregated **search query** latencies for processing queries on the protocol server. Each entry in the list provides information about a search of search queries executed within a time period determined by the protocol server.

```
<xs:complexType name="ArrayOfKeyValueOfintAggregatedOMQueryLatencyDataBuffer_PFsic3Az"
xmlns:xs="http://www.w3.org/2001/XMLSchema">
  <xs:sequence>
    <xs:element minOccurs="0" maxOccurs="unbounded"
name="KeyValueOfintAggregatedOMQueryLatencyDataBuffer_PFsic3Az">
      <xs:complexType>
        <xs:sequence>
          <xs:element name="Key" type="xs:int"/>
          <xs:element
xmlns:q2="http://www.microsoft.com/sharepoint/search/KnownTypes/2008/08" name="Value"
nillable="true" type="q2:AggregatedOMQueryLatencyDataBuffer"/>
        </xs:sequence>
      </xs:complexType>
    </xs:element>
  </xs:sequence>
</xs:complexType>
```

KeyValueOfintAggregatedOMQueryLatencyDataBuffer_PFsic3Az: Specifies the aggregated query latencies for a set of search queries.

KeyValueOfintAggregatedOMQueryLatencyDataBuffer_PFsic3Az.Key: Specifies the integer value to which the associated aggregated search query latency value is approximated.

KeyValueOfintAggregatedOMQueryLatencyDataBuffer_PFsic3Az.Value: Specifies the aggregated query latencies for a set of search queries, approximated to a value defined by the protocol server. MUST be of type **AggregatedOMQueryLatencyDataBuffer** as specified in section [2.2.4.12](#)

2.2.4.15 ArrayOfKeyValueOfstringAggregatedOMQueryLatencyDataBuffer_PFsic3Az

Namespace: http://schemas.microsoft.com/2003/10/Serialization/Arrays

The **ArrayOfKeyValueOfstringAggregatedOMQueryLatencyDataBuffer_PFsic3Az** complex type [<24>](#) contains a list of aggregated **search query** latencies for processing queries on the protocol server. Each entry in the list provides information about a search of search queries executed within a time period determined by the protocol server.

```
<xs:complexType name="ArrayOfKeyValueOfstringAggregatedOMQueryLatencyDataBuffer_PFsic3Az"
xmlns:xs="http://www.w3.org/2001/XMLSchema">
  <xs:sequence>
    <xs:element minOccurs="0" maxOccurs="unbounded"
name="KeyValueOfstringAggregatedOMQueryLatencyDataBuffer_PFsic3Az">
      <xs:complexType>
        <xs:sequence>
          <xs:element name="Key" nillable="true" type="xs:string"/>
          <xs:element
xmlns:q2="http://www.microsoft.com/sharepoint/search/KnownTypes/2008/08" name="Value"
nillable="true" type="q2:AggregatedOMQueryLatencyDataBuffer"/>
        </xs:sequence>
      </xs:complexType>
    </xs:element>
  </xs:sequence>
</xs:complexType>
```

KeyValueOfstringAggregatedOMQueryLatencyDataBuffer_PFsic3Az: Specifies an aggregated value for query latencies of a set of search queries.

KeyValueOfstringAggregatedOMQueryLatencyDataBuffer_PFsic3Az.Key: A value that is uniquely identifies a **KeyValueOfstringAggregatedOMQueryLatencyDataBuffer_PFsic3Az.Value** within this complex type.

KeyValueOfstringAggregatedOMQueryLatencyDataBuffer_PFsic3Az.Value: Specifies an aggregated value for query latencies of a set of search queries. MUST be of type **AggregatedOMQueryLatencyDataBuffer** as specified in section [2.2.4.12](#)

2.2.4.16 **ArrayOfKeyValueOfstringAggregatedUIQueryLatencyDataBuffer_PFsic3Az**

Namespace: <http://schemas.microsoft.com/2003/10/Serialization/Arrays>

The **ArrayOfKeyValueOfstringAggregatedUIQueryLatencyDataBuffer_PFsic3Az** complex type [<25>](#) contains a list of aggregated latency information for the search results page. Each entry in the list provides information about a search of **search queries** executed within a time period determined by the protocol server.

```
<xs:complexType name="ArrayOfKeyValueOfstringAggregatedUIQueryLatencyDataBuffer_PFsic3Az"
xmlns:xs="http://www.w3.org/2001/XMLSchema">
  <xs:sequence>
    <xs:element minOccurs="0" maxOccurs="unbounded"
name="KeyValueOfstringAggregatedUIQueryLatencyDataBuffer_PFsic3Az">
      <xs:complexType>
        <xs:sequence>
          <xs:element name="Key" nillable="true" type="xs:string"/>
          <xs:element
xmlns:q2="http://www.microsoft.com/sharepoint/search/KnownTypes/2008/08" name="Value"
nillable="true" type="q2:AggregatedUIQueryLatencyDataBuffer"/>
        </xs:sequence>
      </xs:complexType>
    </xs:element>
  </xs:sequence>
</xs:complexType>
```


KeyValueOfstringAggregatedUIQueryLatencyDataBuffer_PFsic3Az: Specifies an aggregated value for result page query latencies of a set of search queries.

KeyValueOfstringAggregatedUIQueryLatencyDataBuffer_PFsic3Az.Key: A value that is uniquely identifies a **KeyValueOfstringAggregatedUIQueryLatencyDataBuffer_PFsic3Az.Value** within this complex type.

KeyValueOfstringAggregatedUIQueryLatencyDataBuffer_PFsic3Az.Value: Specifies an aggregated value for query latencies of a set of search queries. MUST be of type **AggregatedOMQueryLatencyDataBuffer** as specified in section [2.2.4.12](#).

2.2.4.17 **ArrayOfKeyValueOfstringArrayOfKeyValueOfintAggregatedOMQueryLatencyDataBuffer_PFsic3Azty7Ep6D1**

Namespace: <http://schemas.microsoft.com/2003/10/Serialization/Arrays>

The

ArrayOfKeyValueOfstringArrayOfKeyValueOfintAggregatedOMQueryLatencyDataBuffer_PFsic3Azty7Ep6D1 complex type [<26>](#) contains a list of aggregated **search query** latencies for processing queries on the protocol server. Each entry in the list provides information about a search of search queries executed within a time period determined by the protocol server.

```
<xs:complexType
  name="ArrayOfKeyValueOfstringArrayOfKeyValueOfintAggregatedOMQueryLatencyDataBuffer_PFsic3Azty7Ep6D1"
  xmlns:xs="http://www.w3.org/2001/XMLSchema">
  <xs:sequence>
    <xs:element minOccurs="0" maxOccurs="unbounded"
      name="KeyValueOfstringArrayOfKeyValueOfintAggregatedOMQueryLatencyDataBuffer_PFsic3Azty7Ep6D1"
      >
      <xs:complexType>
        <xs:sequence>
          <xs:element name="Key" nillable="true" type="xs:string"/>
          <xs:element name="Value" nillable="true"
            type="q3:ArrayOfKeyValueOfintAggregatedOMQueryLatencyDataBuffer_PFsic3Az"/>
        </xs:sequence>
      </xs:complexType>
    </xs:element>
  </xs:sequence>
</xs:complexType>
```

KeyValueOfstringArrayOfKeyValueOfintAggregatedOMQueryLatencyDataBuffer_PFsic3Azty7Ep6D1: Specifies a list of aggregated values for query latencies of a set of search queries.

KeyValueOfstringArrayOfKeyValueOfintAggregatedOMQueryLatencyDataBuffer_PFsic3Azty7Ep6D1.Key: A value that is uniquely identifies a **KeyValueOfstringArrayOfKeyValueOfintAggregatedOMQueryLatencyDataBuffer_PFsic3Azty7Ep6D1.Value** within this complex type.

KeyValueOfstringArrayOfKeyValueOfintAggregatedOMQueryLatencyDataBuffer_PFsic3Azty7Ep6D1.Value: Specifies a list of aggregated values for query latencies of a set of search queries. MUST be of type **ArrayOfKeyValueOfintAggregatedOMQueryLatencyDataBuffer_PFsic3Az** as specified in section [2.2.4.14](#).

2.2.4.18 **ArrayOfKeyValueOfstringanyType**

Namespace: <http://schemas.microsoft.com/2003/10/Serialization/Arrays>

The **ArrayOfKeyValueOfstringanyType** complex type [<27>](#) defines an array of **KeyValueOfstringanyType** complex type.

```

<xs:complexType name="ArrayOfKeyValueOfstringanyType">
  <xs:sequence>
    <xs:element minOccurs="0" maxOccurs="unbounded" name="KeyValueOfstringanyType">
      <xs:complexType>
        <xs:sequence>
          <xs:element name="Key" nillable="true" type="xs:string"/>
          <xs:element name="Value" nillable="true" type="xs:anyType"/>
        </xs:sequence>
      </xs:complexType>
    </xs:element>
  </xs:sequence>
</xs:complexType>

```

KeyValueOfstringanyType: Specifies an array of dictionaries of string keys to anyType values. This element MUST be present and MUST NOT be null.

KeyValueOfstringanyType.Key: Specifies the string key for addressing the values in the dictionary.

KeyValueOfstringanyType.Value: Specifies the anyType value in the dictionary.

The Keys and Values MUST conform to the following:

The number of items in Keys and the number of items in Values MUST be the same.

Each item in Values MUST NOT be null.

Each item in Keys MUST be a unique, not null and not empty string.

Each value in Values MUST have a corresponding key in Keys.

2.2.4.19 ArrayOfKeyValueOfstringVerboseOMQueryLatencyDataBuffer_PFsic3Az

Namespace: http://schemas.microsoft.com/2003/10/Serialization/Arrays

The **ArrayOfKeyValueOfstringVerboseOMQueryLatencyDataBuffer_PFsic3Az** complex type [28](#) contains a list of aggregated latency information. Each entry in the list provides latency information about a single **search query**.

```

<xs:complexType name="ArrayOfKeyValueOfstringVerboseOMQueryLatencyDataBuffer_PFsic3Az"
xmlns:xs="http://www.w3.org/2001/XMLSchema">
  <xs:sequence>
    <xs:element minOccurs="0" maxOccurs="unbounded"
name="KeyValueOfstringVerboseOMQueryLatencyDataBuffer_PFsic3Az">
      <xs:complexType>
        <xs:sequence>
          <xs:element name="Key" nillable="true" type="xs:string"/>
          <xs:element
xmlns:q2="http://www.microsoft.com/sharepoint/search/KnownTypes/2008/08" name="Value"
nillable="true" type="q2:VerboseOMQueryLatencyDataBuffer"/>
        </xs:sequence>
      </xs:complexType>
    </xs:element>
  </xs:sequence>
</xs:complexType>

```

KeyValueOfstringVerboseOMQueryLatencyDataBuffer_PFsic3Az: Specifies query latencies for processing a single search query on the protocol server.

KeyValueOfstringVerboseOMQueryLatencyDataBuffer_PFsic3Az.Key: A value that is uniquely identifies a **KeyValueOfstringVerboseOMQueryLatencyDataBuffer_PFsic3Az.Value** within this complex type.

KeyValueOfstringVerboseOMQueryLatencyDataBuffer_PFsic3Az.Value: Specifies details of query latencies for the processing of a single search query on the protocol server. MUST be of type **VerboseOMQueryLatencyDataBuffer** as specified in section [2.2.4.28](#).

2.2.4.20 **ArrayOfKeyValueOfstringVerboseUIQueryLatencyDataBuffer_PFsic3Az**

Namespace: <http://schemas.microsoft.com/2003/10/Serialization/Arrays>

The **ArrayOfKeyValueOfstringVerboseUIQueryLatencyDataBuffer_PFsic3Az** complex type [<29>](#) contains a list of latency information about the search results page when processing individual search queries. Each entry provides information about a single search query.

```
<xs:complexType name="ArrayOfKeyValueOfstringVerboseUIQueryLatencyDataBuffer_PFsic3Az"
xmlns:xs="http://www.w3.org/2001/XMLSchema">
  <xs:sequence>
    <xs:element minOccurs="0" maxOccurs="unbounded"
name="KeyValueOfstringVerboseUIQueryLatencyDataBuffer PFsic3Az">
      <xs:complexType>
        <xs:sequence>
          <xs:element name="Key" nillable="true" type="xs:string"/>
          <xs:element
xmlns:q2="http://www.microsoft.com/sharepoint/search/KnownTypes/2008/08" name="Value"
nillable="true" type="q2:VerboseUIQueryLatencyDataBuffer"/>
        </xs:sequence>
      </xs:complexType>
    </xs:element>
  </xs:sequence>
</xs:complexType>
```

KeyValueOfstringVerboseUIQueryLatencyDataBuffer_PFsic3Az: Specifies query latencies for the search results page for a single search query.

KeyValueOfstringVerboseUIQueryLatencyDataBuffer_PFsic3Az.Key: A value that is uniquely identifies a **KeyValueOfstringVerboseUIQueryLatencyDataBuffer_PFsic3Az.Value** within this complex type.

KeyValueOfstringVerboseUIQueryLatencyDataBuffer_PFsic3Az.Value: Specifies details of query latencies for the search results page for a single query. MUST be of type **VerboseUIQueryLatencyDataBuffer** as specified in section [2.2.4.30](#).

2.2.4.21 **ArrayOfVerboseQueryErrorDataBuffer**

Namespace: <http://www.microsoft.com/sharepoint/search/KnownTypes/2008/08>

The **ArrayOfVerboseQueryErrorDataBuffer** complex type contains a list of information for errors occurred during the processing of search queries in the protocol client. Each entry in the list corresponds to an error.

```
<xs:complexType name="ArrayOfVerboseQueryErrorDataBuffer"
xmlns:xs="http://www.w3.org/2001/XMLSchema">
  <xs:sequence>
    <xs:element minOccurs="0" maxOccurs="unbounded" name="VerboseQueryErrorDataBuffer"
nillable="true" type="q2:VerboseQueryErrorDataBuffer"/>
  </xs:sequence>
</xs:complexType>
```

VerboseQueryErrorDataBuffer: Specifies the information of an error that occurred during the processing of a search query in the protocol client.

2.2.4.22 ArrayOfVerboseWebPartQueryLatencyDataBuffer

Namespace: http://www.microsoft.com/sharepoint/search/KnownTypes/2008/08

The **ArrayOfVerboseWebPartQueryLatencyDataBuffer** complex type contains the search query latency of the **Web Parts** in processing search queries within a 60-second time period. Each entry corresponds to the search query latency of a Web Part on the search results page.

```
<xs:complexType name="ArrayOfVerboseWebPartQueryLatencyDataBuffer"
xmlns:xs="http://www.w3.org/2001/XMLSchema">
  <xs:sequence>
    <xs:element minOccurs="0" maxOccurs="unbounded"
name="VerboseWebPartQueryLatencyDataBuffer" nillable="true"
type="q2:VerboseWebPartQueryLatencyDataBuffer"/>
  </xs:sequence>
</xs:complexType>
```

VerboseWebPartQueryLatencyDataBuffer: Specifies the search query latency of a single Web Part.

2.2.4.23 OMQueryLatencyDataBuffer

Namespace: http://www.microsoft.com/sharepoint/search/KnownTypes/2008/08

The **OMQueryLatencyDataBuffer** complex type contains a list of aggregated query latencies that are approximated to a value that is determined by the protocol server.

```
<xs:complexType name="OMQueryLatencyDataBuffer" xmlns:xs="http://www.w3.org/2001/XMLSchema">
  <xs:complexContent mixed="false">
    <xs:extension
base="q2:QueryDataBufferBaseOfAggregatedOMQueryLatencyDataBufferVerboseOMQueryLatencyDataBuff
erYrv50AqE">
      <xs:sequence>
        <xs:element xmlns:q3="http://schemas.microsoft.com/2003/10/Serialization/Arrays"
minOccurs="0" name="bucketedQueryTimings" nillable="true"
type="q3:ArrayOfKeyValueOfstringArrayOfKeyValueOfintAggregatedOMQueryLatencyDataBuffer PFsic3
Azty7Ep6D1"/>
      </xs:sequence>
    </xs:extension>
  </xs:complexContent>
</xs:complexType>
```

bucketedQueryTimings: Specifies the aggregated search latency on the protocol server. [<30>](#)

2.2.4.24 QueryDataBufferBaseOfAggregatedOMQueryLatencyDataBufferVerboseOMQueryLatencyDataBufferYrv50AqE

Namespace: http://www.microsoft.com/sharepoint/search/KnownTypes/2008/08

The **QueryDataBufferBaseOfAggregatedOMQueryLatencyDataBufferVerboseOMQueryLatencyDataBufferYrv50AqE** complex type contains lists of aggregated and per-search query latencies. Each entry in the aggregated list provides latency information about a set of **search queries** within a time period determined by the protocol server. Each entry in the verbose list provides information about one search query.

```

<xs:complexType
name="QueryDataBufferBaseOfAggregatedOMQueryLatencyDataBufferVerboseOMQueryLatencyDataBufferYrv50AqE" xmlns:xs="http://www.w3.org/2001/XMLSchema">
  <xs:complexContent mixed="false">
    <xs:extension base="q2:DataBuffer">
      <xs:sequence>
        <xs:element minOccurs="0" name="AggregatedQueryTimings" nillable="true"
type="q2:ArrayOfAggregatedOMQueryLatencyDataBuffer"/>
        <xs:element minOccurs="0" name="VerboseQueryTimings" nillable="true"
type="q2:ArrayOfVerboseOMQueryLatencyDataBuffer"/>
        <xs:element xmlns:q3="http://schemas.microsoft.com/2003/10/Serialization/Arrays"
minOccurs="0" name="m_AggregatedQueryTimings" nillable="true"
type="q3:ArrayOfKeyValueOfstringAggregatedOMQueryLatencyDataBuffer_PFsic3Az"/>
        <xs:element xmlns:q3="http://schemas.microsoft.com/2003/10/Serialization/Arrays"
minOccurs="0" name="m_VerboseQueryTimings" nillable="true"
type="q3:ArrayOfKeyValueOfstringVerboseOMQueryLatencyDataBuffer_PFsic3Az"/>
      </xs:sequence>
    </xs:extension>
  </xs:complexContent>
</xs:complexType>

```

AggregatedQueryTimings: Specifies the aggregated search latency on the protocol server. [<31>](#)

VerboseQueryTimings: Specifies a list of latencies for each single search query on the protocol server. This value MUST be empty if verbose query monitoring is turned off on the protocol server. [<32>](#)

m_AggregatedQueryTimings: Specifies the aggregated search latency on the protocol server. [<33>](#)

m_VerboseQueryTimings: Specifies a list of latencies for each single search query on the protocol server. This value MUST be empty if verbose query monitoring is turned off on the protocol server. [<34>](#)

2.2.4.25 QueryDataBufferBaseOfAggregatedUIQueryLatencyDataBufferVerboseUIQueryLatencyDataBufferYrv50AqE

Namespace: http://www.microsoft.com/sharepoint/search/KnownTypes/2008/08

The

QueryDataBufferBaseOfAggregatedUIQueryLatencyDataBufferVerboseUIQueryLatencyDataBufferYrv50AqE complex type contains lists of aggregated and per-search query latency information for the search results page. Each entry in the aggregated list provides latency information about a set of search queries within a time period determined by the protocol server. Each entry in the verbose list provides information about one search query.

```

<xs:complexType
name="QueryDataBufferBaseOfAggregatedUIQueryLatencyDataBufferVerboseUIQueryLatencyDataBufferYrv50AqE" xmlns:xs="http://www.w3.org/2001/XMLSchema">
  <xs:complexContent mixed="false">
    <xs:extension base="q2:DataBuffer">
      <xs:sequence>
        <xs:element minOccurs="0" name="AggregatedQueryTimings" nillable="true"
type="q2:ArrayOfAggregatedUIQueryLatencyDataBuffer"/>
        <xs:element minOccurs="0" name="VerboseQueryTimings" nillable="true"
type="q2:ArrayOfVerboseUIQueryLatencyDataBuffer"/>
        <xs:element xmlns:q3="http://schemas.microsoft.com/2003/10/Serialization/Arrays"
minOccurs="0" name="m_AggregatedQueryTimings" nillable="true"
type="q3:ArrayOfKeyValueOfstringAggregatedUIQueryLatencyDataBuffer_PFsic3Az"/>

```

```

    <xs:element xmlns:q3="http://schemas.microsoft.com/2003/10/Serialization/Arrays"
minOccurs="0" name="m_VerboseQueryTimings" nillable="true"
type="q3:ArrayOfKeyValueOfstringVerboseUIQueryLatencyDataBuffer_PFsic3Az"/>
    </xs:sequence>
  </xs:extension>
</xs:complexContent>
</xs:complexType>

```

AggregatedQueryTimings: Specifies the aggregated search latency for the search results page. [<35>](#)

VerboseQueryTimings: Specifies a list of search results page latencies, one for each search query on the protocol server. This value MUST be empty if verbose query monitoring is turned off on the protocol server. [<36>](#)

m_AggregatedQueryTimings: Specifies the aggregated search latency for the search results page. [<37>](#)

m_VerboseQueryTimings: Specifies a list of search results page latencies, one for each search query on the protocol server. This value MUST be empty if verbose query monitoring is turned off on the protocol server. [<38>](#)

2.2.4.26 QueryErrorDataBuffer

Namespace: <http://www.microsoft.com/sharepoint/search/KnownTypes/2008/08>

The **QueryErrorDataBuffer** complex type contains a list of information for errors occurred during the processing of search queries in the protocol client. Each entry in the list corresponds to an error.

```

<xs:complexType name="QueryErrorDataBuffer" xmlns:xs="http://www.w3.org/2001/XMLSchema">
  <xs:complexContent mixed="false">
    <xs:extension base="q2:DataBuffer">
      <xs:sequence>
        <xs:element minOccurs="0" name="VerboseQueryTimings" nillable="true"
type="q2:ArrayOfVerboseQueryErrorDataBuffer"/>
      </xs:sequence>
    </xs:extension>
  </xs:complexContent>
</xs:complexType>

```

VerboseQueryTimings: Specifies a list of information for errors occurred during the processing of search queries in the protocol client. This element MUST be empty if verbose query monitoring for the search application is turned off.

2.2.4.27 UIQueryLatencyDataBuffer

Namespace: <http://www.microsoft.com/sharepoint/search/KnownTypes/2008/08>

The **UIQueryLatencyDataBuffer** complex type contains the search query latency of the search results page for search queries within a time period determined by the protocol server.

```

<xs:complexType name="UIQueryLatencyDataBuffer" xmlns:xs="http://www.w3.org/2001/XMLSchema">
  <xs:complexContent mixed="false">
    <xs:extension
base="q2:QueryDataBufferBaseOfAggregatedUIQueryLatencyDataBufferVerboseUIQueryLatencyDataBuff
erYrv50AqE">
      <xs:sequence/>
    </xs:extension>
  </xs:complexContent>

```

</xs:complexType>

2.2.4.28 VerboseOMQueryLatencyDataBuffer

Namespace: <http://www.microsoft.com/sharepoint/search/KnownTypes/2008/08>

The **VerboseOMQueryLatencyDataBuffer** complex type contains details of the **search query** latency for a single search query.

```
<xs:complexType name="VerboseOMQueryLatencyDataBuffer"
xmlns:xs="http://www.w3.org/2001/XMLSchema">
  <xs:complexContent mixed="false">
    <xs:extension base="q2:DataBuffer">
      <xs:sequence>
        <xs:element minOccurs="0" name="Constellation" nillable="true" type="xs:string"/>
        <xs:element minOccurs="0" name="CorrelationId" type="ser:guid"/>
        <xs:element minOccurs="0" name="IMSProxyTimeMs" type="xs:int"/>
        <xs:element minOccurs="0" name="NumHitsRequested" type="xs:int"/>
        <xs:element minOccurs="0" name="QPMachine" nillable="true" type="xs:string"/>
        <xs:element minOccurs="0" name="QPTimeMs" type="xs:int"/>
        <xs:element minOccurs="0" name="QueryTerms" nillable="true" type="xs:string"/>
        <xs:element minOccurs="0" name="TotalQueryTimeMs" type="xs:int"/>
      </xs:sequence>
    </xs:extension>
  </xs:complexContent>
</xs:complexType>
```

Constellation: The identification of the index constellation. The identification is added by the protocol server and identifies the index instance.

CorrelationId: Specifies the unique identifier for the search query that the protocol client specified in the **properties.CorrelationId** element in the **Execute** message (see section [3.1.4.1](#)).

IMSProxyTimeMs: The time in milliseconds taken by intermediate processing of this search query on the protocol server. This MUST be the same value that is returned by the protocol server in the **ResultTableCollection.IMSProxyTime** element (see section [3.1.4.1.3.1](#)) for this search query. [<39>](#)

NumHitsRequested: The number of results requested for this search query. This MUST be the same value that is received by the protocol server in the **QueryProperties.RowLimit** element (see section [2.2.4.11](#)) for this search query. [<40>](#)

QPMachine: The name of the computer that processed the query on the protocol server. This MUST be the same value that is returned by the protocol server in the **ResultTableCollection.QueryMachine** element (see section [3.1.4.1.3.1](#)) for this search query.

QPTimeMs: The time in milliseconds taken by intermediate processing of this search query on the protocol server. This MUST be the same value that is returned by the protocol server in the **ResultTableCollection.QueryProcessingTime** element (see section [3.1.4.1.3.1](#)) for this search query.

QueryTerms: The query terms of the search query.

TotalQueryTimeMs: The time in milliseconds for processing this search query on the protocol server. This MUST be the same value that is returned by the protocol server in the **ResultTableCollection.ElapsedTime** element (see section [3.1.4.1.3.1](#)) for the search query.

2.2.4.29 VerboseQueryErrorDataBuffer

Namespace: http://www.microsoft.com/sharepoint/search/KnownTypes/2008/08

The **VerboseQueryErrorDataBuffer** complex type contains the information of an error occurred during the processing of a search query in the protocol client.

```
<xs:complexType name="VerboseQueryErrorDataBuffer"
xmlns:xs="http://www.w3.org/2001/XMLSchema">
  <xs:complexContent mixed="false">
    <xs:extension base="q2:DataBuffer">
      <xs:sequence>
        <xs:element minOccurs="0" name="CorrelationId" type="ser:guid"/>
        <xs:element minOccurs="0" name="Exception" nillable="true" type="xs:string"/>
        <xs:element minOccurs="0" name="Operation" nillable="true" type="xs:string"/>
      </xs:sequence>
    </xs:extension>
  </xs:complexContent>
</xs:complexType>
```

CorrelationId: Specifies the unique identifier for the search query that the protocol client specified in properties.**CorrelationId** element in the **Execute** message (see section [3.1.4.1](#)).

Exception: Specifies the details of the exception if any that occurred on the protocol client while processing the search query. The value of this field is specific to the implementation of the protocol client.

Operation: Specifies the details of the operation that caused an exception during the processing of the search query in the protocol client. The value of this field is specific to the implementation of the protocol client.

2.2.4.30 VerboseUIQueryLatencyDataBuffer

Namespace: http://www.microsoft.com/sharepoint/search/KnownTypes/2008/08

The **VerboseUIQueryLatencyDataBuffer** complex type contains details of search query latency for a single search query.

```
<xs:complexType name="VerboseUIQueryLatencyDataBuffer"
xmlns:xs="http://www.w3.org/2001/XMLSchema">
  <xs:complexContent mixed="false">
    <xs:extension base="q2:DataBuffer">
      <xs:sequence>
        <xs:element minOccurs="0" name="CorrelationId" type="ser:guid"/>
        <xs:element minOccurs="0" name="ExclusiveWebpartTimeMs" type="xs:int"/>
        <xs:element minOccurs="0" name="InclusiveWebpartTimeMs" type="xs:int"/>
        <xs:element minOccurs="0" name="QueryTerms" nillable="true" type="xs:string"/>
        <xs:element minOccurs="0" name="TotalQueryTimeMs" type="xs:int"/>
        <xs:element minOccurs="0" name="Url" nillable="true" type="xs:string"/>
      </xs:sequence>
    </xs:extension>
  </xs:complexContent>
</xs:complexType>
```

CorrelationId: The unique identifier that the protocol client specified for the search query in properties.**CorrelationId** element in the **Execute** message (see section [3.1.4.1](#)).

ExclusiveWebpartTimeMs: The time in milliseconds for all search related **Web Parts** on the search results page to process the search query.

InclusiveWebpartTimeMs: The time in milliseconds for all Web Parts on the search results page to process the search query.

QueryTerms: The query terms of the search query.

TotalQueryTimeMs: The latency in milliseconds for the search results page to process the search query.

Url: The URI of the page that issues the search query. The value MUST have the valid URI format, as specified in [\[RFC2396\]](#).

2.2.4.31 VerboseWebPartQueryLatencyDataBuffer

Namespace: <http://www.microsoft.com/sharepoint/search/KnownTypes/2008/08>

The **VerboseWebPartQueryLatencyDataBuffer** complex type contains detail of search query latency of a single **Web Part**.

```
<xs:complexType name="VerboseWebPartQueryLatencyDataBuffer"
xmlns:xs="http://www.w3.org/2001/XMLSchema">
  <xs:complexContent mixed="false">
    <xs:extension base="q2:DataBuffer">
      <xs:sequence>
        <xs:element minOccurs="0" name="CorrelationId" type="ser:guid"/>
        <xs:element minOccurs="0" name="ExclusiveWebpartTimeMs" type="xs:int"/>
        <xs:element minOccurs="0" name="InclusiveWebpartTimeMs" type="xs:int"/>
        <xs:element minOccurs="0" name="WebPartId" type="ser:guid"/>
        <xs:element minOccurs="0" name="WebPartTitle" nillable="true" type="xs:string"/>
      </xs:sequence>
    </xs:extension>
  </xs:complexContent>
</xs:complexType>
```

CorrelationId: The unique identifier that the protocol client specified for a search query in properties.CorrelationId element in the Execute message (see section [3.1.4.1](#)).

ExclusiveWebpartTimeMs: The time, in milliseconds, for the Web Part with the specified **WebPartId** to process the search query.

InclusiveWebpartTimeMs: The total time in milliseconds for all search Web Parts on the search results page to process the search query.

WebPartId: The unique identifier of the Web Part that processed the search query.

WebPartTitle: The title of the Web Part that processed the search query.

2.2.4.32 WebPartQueryLatencyDataBuffer

Namespace: <http://www.microsoft.com/sharepoint/search/KnownTypes/2008/08>

The **WebPartQueryLatencyDataBuffer** complex type contains the latency of the **Web Parts** in processing search queries within a 60-second time period

```
<xs:complexType name="WebPartQueryLatencyDataBuffer"
xmlns:xs="http://www.w3.org/2001/XMLSchema">
  <xs:complexContent mixed="false">
    <xs:extension base="q2:DataBuffer">
      <xs:sequence>
        <xs:element minOccurs="0" name="VerboseQueryTimings" nillable="true"
type="q2:ArrayOfVerboseWebPartQueryLatencyDataBuffer"/>
      </xs:sequence>
    </xs:extension>
  </xs:complexContent>
</xs:complexType>
```



```
</xs:extension>
</xs:complexContent>
</xs:complexType>
```

VerboseQueryTimings: Specifies details of the search query latency of every single Web Part.

2.2.4.33 ArrayOfAggregatedOMQueryLatencyDataBuffer

Namespace: http://www.microsoft.com/sharepoint/search/KnownTypes/2008/08

The **ArrayOfAggregatedOMQueryLatencyDataBuffer** complex type contains a list of aggregated search query latencies for processing queries on the protocol server. Each entry in the list provides information about a set of search queries executed within a time period determined by the protocol server.

```
<xs:complexType name="ArrayOfAggregatedOMQueryLatencyDataBuffer"
xmlns:xs="http://www.w3.org/2001/XMLSchema">
  <xs:sequence>
    <xs:element minOccurs="0" maxOccurs="unbounded" name="AggregatedOMQueryLatencyDataBuffer"
nillable="true" type="q2:AggregatedOMQueryLatencyDataBuffer"/>
  </xs:sequence>
</xs:complexType>
```

AggregatedOMQueryLatencyDataBuffer: Specifies an aggregated value for query latencies of a set of search queries. MUST be of type **AggregatedOMQueryLatencyDataBuffer** as specified in section [2.2.4.12](#).

2.2.4.34 ArrayOfAggregatedUIQueryLatencyDataBuffer

Namespace: http://www.microsoft.com/sharepoint/search/KnownTypes/2008/08

The **ArrayOfAggregatedUIQueryLatencyDataBuffer** complex type contains a list of aggregated latency information for the search results page. Each entry in the list provides information about a set of search queries executed within a time period determined by the protocol server.

```
<xs:complexType name="ArrayOfAggregatedUIQueryLatencyDataBuffer"
xmlns:xs="http://www.w3.org/2001/XMLSchema">
  <xs:sequence>
    <xs:element minOccurs="0" maxOccurs="unbounded" name="AggregatedUIQueryLatencyDataBuffer"
nillable="true" type="q2:AggregatedUIQueryLatencyDataBuffer"/>
  </xs:sequence>
</xs:complexType>
```

AggregatedUIQueryLatencyDataBuffer: Specifies an aggregated value for query latencies of a set of search queries. MUST be of type **AggregatedOMQueryLatencyDataBuffer** as specified in section [2.2.4.13](#).

2.2.4.35 ArrayOfboolean

Namespace: http://schemas.microsoft.com/2003/10/Serialization/Arrays

A list of Boolean flags.

```
<xs:complexType name="ArrayOfboolean" xmlns:xs="http://www.w3.org/2001/XMLSchema">
  <xs:sequence>
    <xs:element minOccurs="0" maxOccurs="unbounded" name="boolean" type="xs:boolean"/>
  </xs:sequence>
</xs:complexType>
```



```
</xs:sequence>
</xs:complexType>
```

boolean: Specifies a value which can be either true or false.

2.2.4.36 **ArrayOfint**

Namespace: http://schemas.microsoft.com/2003/10/Serialization/Arrays

The **ArrayOfint** complex type<41> represents an array of integer values.

```
<xs:complexType name="ArrayOfint" xmlns:xs="http://www.w3.org/2001/XMLSchema">
  <xs:sequence>
    <xs:element minOccurs="0" maxOccurs="unbounded" name="int" type="xs:int"/>
  </xs:sequence>
</xs:complexType>
```

int: An integer value.

2.2.4.37 **ArrayOfKeyValueOfstringstring**

Namespace: http://schemas.microsoft.com/2003/10/Serialization/Arrays

The **ArrayOfKeyValueOfstringstring** complex type represents an array of properties in the form of key-value pairs.

```
<xs:complexType name="ArrayOfKeyValueOfstringstring"
xmlns:xs="http://www.w3.org/2001/XMLSchema">
  <xs:sequence>
    <xs:element minOccurs="0" maxOccurs="unbounded" name="KeyValueOfstringstring">
      <xs:complexType>
        <xs:sequence>
          <xs:element name="Key" nillable="true" type="xs:string"/>
          <xs:element name="Value" nillable="true" type="xs:string"/>
        </xs:sequence>
      </xs:complexType>
    </xs:element>
  </xs:sequence>
</xs:complexType>
```

KeyValueOfstringstring: A single property.

KeyValueOfstringstring.Key: A unique identifier for the property.

KeyValueOfstringstring.Value: The value of the property corresponding to the identifier specified in the **KeyValueOfstringstring.Key** element.

2.2.4.38 **ArrayOfVerboseOMQueryLatencyDataBuffer**

Namespace: http://www.microsoft.com/sharepoint/search/KnownTypes/2008/08

The **ArrayOfVerboseOMQueryLatencyDataBuffer** complex type contains a list of latency information about the execution of search queries on the protocol server. Each entry provides information about a single search query.

```
<xs:complexType name="ArrayOfVerboseOMQueryLatencyDataBuffer"
xmlns:xs="http://www.w3.org/2001/XMLSchema">
```

```

    <xs:sequence>
      <xs:element minOccurs="0" maxOccurs="unbounded" name="VerboseOMQueryLatencyDataBuffer"
        nillable="true" type="q2:VerboseOMQueryLatencyDataBuffer"/>
    </xs:sequence>
  </xs:complexType>

```

VerboseOMQueryLatencyDataBuffer: Specifies query latencies for processing a single search query on the protocol server.

2.2.4.39 ArrayOfVerboseUIQueryLatencyDataBuffer

Namespace: <http://www.microsoft.com/sharepoint/search/KnownTypes/2008/08>

The **ArrayOfVerboseUIQueryLatencyDataBuffer** complex type contains a list of latency information about the search results page when processing individual search queries. Each entry provides information about a single search query.

```

<xs:complexType name="ArrayOfVerboseUIQueryLatencyDataBuffer"
  xmlns:xs="http://www.w3.org/2001/XMLSchema">
  <xs:sequence>
    <xs:element minOccurs="0" maxOccurs="unbounded" name="VerboseUIQueryLatencyDataBuffer"
      nillable="true" type="q2:VerboseUIQueryLatencyDataBuffer"/>
  </xs:sequence>
</xs:complexType>

```

VerboseUIQueryLatencyDataBuffer: Specifies query latencies for the search results page for a single search query.

2.2.4.40 QueryHealthMonitoringSettings

Namespace: <http://schemas.datacontract.org/2004/07/Microsoft.Office.Server.Search.Monitoring>

The **QueryHealthMonitoringSettings** complex type defines settings that are used to configure query health monitoring data collection into the objects defined in section [3.1.1.5](#).

```

<xs:complexType name="QueryHealthMonitoringSettings"
  xmlns:xs="http://www.w3.org/2001/XMLSchema">
  <xs:sequence>
    <xs:element minOccurs="0" name="AggregatedBufferFlushTimeoutMinutes" type="xs:int"/>
    <xs:element xmlns:q3="http://schemas.microsoft.com/2003/10/Serialization/Arrays"
      minOccurs="0" name="AggregatorFilters" nillable="true" type="q3:ArrayOfboolean"/>
    <xs:element minOccurs="0" name="BufferFlushThreshold" type="xs:int"/>
    <xs:element minOccurs="0" name="LatencyTrendBucketMs" type="xs:int"/>
    <xs:element minOccurs="0" name="LatencyTrendUseAggregation" type="xs:boolean"/>
    <xs:element minOccurs="0" name="MaxSizeMb" type="xs:int"/>
    <xs:element minOccurs="0" name="RetentionPeriodDays" type="xs:int"/>
    <xs:element xmlns:q3="http://schemas.microsoft.com/2003/10/Serialization/Arrays"
      minOccurs="0" name="VerboseFilters" nillable="true" type="q3:ArrayOfstring"/>
    <xs:element minOccurs="0" name="VerboseLatencyThreshold" type="xs:int"/>
    <xs:element minOccurs="0" name="VerboseQueryMonitoring" type="xs:boolean"/>
  </xs:sequence>
</xs:complexType>

```

AggregatedBufferFlushTimeoutMinutes: Specifies the time period that query latencies are aggregated in the objects in section 3.1.1.5.

AggregatorFilters: Specifies a list of Boolean values that indicate whether to aggregate query latencies based on the associated value of the search query property in the objects defined in section 3.1.1.5. The list MUST include five values, as specified in the following table.

Value	Meaning
1	Corresponds to the PartitionId of the search query.
2	Corresponds to the ClientType property of the search query.
3	Corresponds to the ResultsUrl property of the search query.
4	Corresponds to the FlowName property of the search query.
5	Corresponds to the QueryTag property of the search query and any other tags added by the protocol server.

The query properties are specified in section [3.1.4.7.3.1](#). The protocol server MUST aggregate query latencies for every query property for which the corresponding flag is set to TRUE.

BufferFlushThreshold: Specifies the maximum number of queries to be aggregated in the objects in section 3.1.1.5.

LatencyTrendBucketMs: Specifies the approximation value for the aggregated query latencies in the **KeyValueOfIntAggregatedOMQueryLatencyDataBuffer_PFsic3Az.Value** defined in section [2.2.4.14](#).

LatencyTrendUseAggregation: Specifies whether the values in the **KeyValueOfIntAggregatedOMQueryLatencyDataBuffer_PFsic3Az.Value** defined in section 2.2.4.14 are used by the protocol server.

MaxSizeMb: Specifies the maximum size in megabytes of the data used to store the query monitoring information specified in section 3.1.1.5 on the protocol server.

RetentionPeriodDays: Specifies the maximum number of days over which the query monitoring information specified in section 3.1.1.5 is stored on the protocol server.

VerboseFilters: Specifies a list of values for which, when satisfied by the properties of a search query, the protocol server will record query latencies for that query. The list MUST include five values, as specified in the following table.

Value	Meaning
1	Corresponds to the unique identifier of the Partitionid property for the search query.
2	Corresponds to the ClientType property of the search query.
3	Corresponds to the ResultsUrl property of the search query.
4	Corresponds to the FlowName property of the search query.
5	Corresponds to the QueryTag property of the search query and any other tags added by the protocol server.

The query properties are specified in section 3.1.4.7.3.1.

VerboseLatencyThreshold: Specifies a latency value beyond which, when exceeded by a search query, the protocol server will record query latencies for that query.

VerboseQueryMonitoring: Specifies the maximum number of queries to be aggregated in the objects in section 3.1.1.5.

2.2.4.41 SharedSearchBoxSettings

Namespace: http://www.microsoft.com/sharepoint/search/KnownTypes/2008/08

The **SharedSearchBoxSettings** complex type contains information required for the functionalities of a search box.

```
<xs:complexType name="SharedSearchBoxSettings" xmlns:xs="http://www.w3.org/2001/XMLSchema">
  <xs:sequence>
    <xs:element minOccurs="0" name="Inherit" type="xs:boolean"/>
    <xs:element minOccurs="0" name="ResultsPageAddress" nillable="true" type="xs:string"/>
    <xs:element minOccurs="0" name="ShowNavigation" type="xs:boolean"/>
  </xs:sequence>
</xs:complexType>
```

Inherit: MUST be false.

ResultsPageAddress: Specifies the URL of the web page to which the search box redirects to display the results of a search. If this element is not present or a value is not specified, a default value of "null" MUST be used.

ShowNavigation: Specifies whether to show navigation links from the search box. A value of "true" indicates showing navigation links; a value of "false" indicates not showing navigation links. If this element is not present or a value is not specified, a default value of "false" MUST be used.

2.2.4.42 ArrayOfPersonalResultSuggestion

Namespace: http://www.microsoft.com/sharepoint/search/KnownTypes/2008/08

The **ArrayOfPersonalResultSuggestion** complex type contains an array of personal results suggestions.

```
<xs:complexType name="ArrayOfPersonalResultSuggestion"
  xmlns:xs="http://www.w3.org/2001/XMLSchema">
  <xs:sequence>
    <xs:element minOccurs="0" maxOccurs="unbounded" name="PersonalResultSuggestion"
      nillable="true" type="q2:PersonalResultSuggestion"/>
  </xs:sequence>
</xs:complexType>
```

PersonalResultSuggestion: Single personal result suggestion.

2.2.4.43 ArrayOfQuerySuggestionQuery

Namespace: http://www.microsoft.com/sharepoint/search/KnownTypes/2008/08

The **ArrayOfQuerySuggestionQuery** complex type contains an array of suggested queries.

```
<xs:complexType name="ArrayOfQuerySuggestionQuery"
  xmlns:xs="http://www.w3.org/2001/XMLSchema">
  <xs:sequence>
    <xs:element minOccurs="0" maxOccurs="unbounded" name="QuerySuggestionQuery"
      nillable="true" type="q2:QuerySuggestionQuery"/>
  </xs:sequence>
</xs:complexType>
```

QuerySuggestionQuery: Suggested query that matches **QueryProperties.QueryText** defined in section [2.2.4.11](#).

2.2.4.44 ArrayOfSerializableSecureStoreCredential

Namespace: http://schemas.datacontract.org/2004/07/Microsoft.Office.SecureStoreService.Server

The **ArrayOfSerializableSecureStoreCredential** complex type contains an array of serialized secure store credentials.

```
<xs:complexType name="ArrayOfSerializableSecureStoreCredential"
xmlns:xs="http://www.w3.org/2001/XMLSchema">
  <xs:sequence>
    <xs:element minOccurs="0" maxOccurs="unbounded" name="SerializableSecureStoreCredential"
nillable="true" type="tns3:SerializableSecureStoreCredential"/>
  </xs:sequence>
</xs:complexType>
```

SerializableSecureStoreCredential: A serialized secure store credential.

2.2.4.45 AzureApiConfiguration

Namespace: http://schemas.datacontract.org/2004/07/Microsoft.Ceres.CoreServices.Utils.Azure

The **AzureApiConfiguration** complex type contains the Azure API configurations.

```
<xs:complexType name="AzureApiConfiguration" xmlns:xs="http://www.w3.org/2001/XMLSchema">
  <xs:sequence>
    <xs:element minOccurs="0" name="ContentFarmId" nillable="true" type="xs:string"/>
    <xs:element minOccurs="0" name="EchoFarmId" nillable="true" type="xs:string"/>
    <xs:element minOccurs="0" name="EndPointAddress" nillable="true" type="xs:string"/>
    <xs:element minOccurs="0" name="FarmId" nillable="true" type="xs:string"/>
    <xs:element minOccurs="0" name="FrontendServiceTenant" nillable="true" type="xs:string"/>
    <xs:element minOccurs="0" name="Owner" nillable="true" type="xs:string"/>
    <xs:element minOccurs="0" name="ServiceTenant" nillable="true" type="xs:string"/>
    <xs:element minOccurs="0" name="TestId" nillable="true" type="xs:string"/>
  </xs:sequence>
</xs:complexType>
```

ContentFarmId: The content farm identifier.

EchoFarmId: The echo search farm identifier.

EndPointAddress: The Azure backend API endpoint address point.

FarmId: The search farm identifier.

FrontendServiceTenant: The service tenant, whose credentials are used for connecting to the azure frontend API endpoint.

Owner: The string with unique farm identifier.

ServiceTenant: The service tenant, whose credentials are used for connecting to the azure backend API endpoint.

TestId: The token used for test isolation, which ought to be provided in each request to the content service by both the crawler and broker component.

2.2.4.46 PersonalResultSuggestion

Namespace: http://www.microsoft.com/sharepoint/search/KnownTypes/2008/08

The **PersonalResultSuggestion** complex type contains a personal search result suggestion.

```
<xs:complexType name="PersonalResultSuggestion" xmlns:xs="http://www.w3.org/2001/XMLSchema">
  <xs:sequence>
    <xs:element minOccurs="0" name="HighlightedTitle" nillable="true" type="xs:string"/>
    <xs:element minOccurs="0" name="IsBestBet" type="xs:boolean"/>
    <xs:element minOccurs="0" name="Title" nillable="true" type="xs:string"/>
    <xs:element minOccurs="0" name="Url" nillable="true" type="xs:string"/>
  </xs:sequence>
</xs:complexType>
```

HighlightedTitle: Title of the suggested result. Tokens that match the corresponding personal query MUST be surrounded by the <c0></c0> tags.

IsBestBet: MUST be true if the suggested result was a best bet for the query.

Title: Title of the suggested result.

Url: URL of the suggested result.

2.2.4.47 QuerySuggestionQuery

Namespace: http://www.microsoft.com/sharepoint/search/KnownTypes/2008/08

The **QuerySuggestionQuery** complex type contains a single suggested query.

```
<xs:complexType name="QuerySuggestionQuery" xmlns:xs="http://www.w3.org/2001/XMLSchema">
  <xs:sequence>
    <xs:element minOccurs="0" name="IsPersonal" type="xs:boolean"/>
    <xs:element minOccurs="0" name="Query" nillable="true" type="xs:string"/>
  </xs:sequence>
</xs:complexType>
```

IsPersonal: MUST be true if the current user has issued this query repeatedly before the current request was made.

Query: Text of the query.

2.2.4.48 QuerySuggestionResults

Namespace: http://www.microsoft.com/sharepoint/search/KnownTypes/2008/08

The **QuerySuggestionResults** complex type is a container for arrays of query suggestions, people name suggestions, and personal result suggestions.

```
<xs:complexType name="QuerySuggestionResults" xmlns:xs="http://www.w3.org/2001/XMLSchema">
  <xs:sequence>
    <xs:element xmlns:q3="http://schemas.microsoft.com/2003/10/Serialization/Arrays"
      minOccurs="0" name="PeopleNames" nillable="true" type="q3:ArrayOfstring"/>
    <xs:element minOccurs="0" name="PersonalResults" nillable="true"
      type="q2:ArrayOfPersonalResultSuggestion"/>
    <xs:element minOccurs="0" name="Queries" nillable="true"
      type="q2:ArrayOfQuerySuggestionQuery"/>
  </xs:sequence>
</xs:complexType>
```

PeopleNames: People names suggested for the user query. MUST be null if ShowPeopleNameSuggestions in **properties** input element is set to false.

PersonalResults: Search results for any of the suggested queries from the **Queries** element that were clicked repeatedly by the current user before the current request was made.

Queries: Suggested queries that match the QueryText of the **properties** input element.

2.2.4.49 SerializableSecureStoreCredential

Namespace: http://schemas.datacontract.org/2004/07/Microsoft.Office.SecureStoreService.Server

The **SerializableSecureStoreCredential** complex type contains a serialized secure store credential.

```
<xs:complexType name="SerializableSecureStoreCredential"
xmlns:xs="http://www.w3.org/2001/XMLSchema">
  <xs:sequence>
    <xs:element name="credential" nillable="true" type="xs:base64Binary"/>
    <xs:element
xmlns:tns1="http://schemas.datacontract.org/2004/07/Microsoft.BusinessData.Infrastructure.SecureStore" name="credentialType" type="tns1:SecureStoreCredentialType"/>
  </xs:sequence>
</xs:complexType>
```

credential: The credential value.

credentialType: The credential type.

2.2.5 Simple Types

The following table summarizes the set of common **XML schema** simple type definitions defined by this specification. XML schema simple type definitions that are specific to a particular operation are described with the operation.

Simple type	Description
AlertChangeType	The AlertChangeType simple type <42> is used to represent the change types for which a search alert is generated.
guid	The guid simple type represents a GUID .
KeywordInclusion	The KeywordInclusion simple type is used to represent how the protocol server combines tokens in a search query to form the query text that is used to find indexed items that match the search query.
QueryAuthenticationType	The QueryAuthenticationType simple type is used to represent the type search security descriptor .
QueryHint	The QueryHint simple type is used to represent how the protocol server processes a search query.
ResultType	The ResultType simple type specifies an enumeration of the types of search results to return for a search query . Any element of this type MUST contain one or more of the enumeration values specified in this section. This enumeration is also used to annotate the ResultTable (section 3.1.4.1.3.6) data type to indicate the type of search results contained in it.
SearchProvider	The SearchProvider simple type represents the search provider that is used to handle the current request.
SecureStoreCredentialType	The SecureStoreCredentialType simple type contains information about the type of the secure store credential.
SPUrlZone	The SPUrlZone simple type contains information about the URL zone that

Simple type	Description
	MUST be used for alternate access mapping of incoming URL(s) to the right content and vice versa.

2.2.5.1 AlertChangeType

Namespace: http://schemas.datacontract.org/2004/07/Microsoft.Office.Server.Search.Query

The **AlertChangeType** simple type [<43>](#) is used to represent the change types for which a **search alert** is generated.

```
<xs:simpleType name="AlertChangeType" xmlns:xs="http://www.w3.org/2001/XMLSchema">
  <xs:restriction base="xs:string">
    <xs:enumeration value="Discovered"/>
    <xs:enumeration value="Modified"/>
    <xs:enumeration value="DiscoveredOrModified"/>
  </xs:restriction>
</xs:simpleType>
```

The following table specifies the allowable values for the **AlertChangeType** simple type.

Value	Meaning
Discovered	A search alert MUST be generated if at least 1 new search result matches the search query registered as part of the alert subscription . The new search result MUST be crawled after the last time the alert for the search query was generated.
Modified	A search alert MUST be generated if at least 1 existing search result that matches the search query registered as part of the alert subscription was modified after the last time the alert for the registered search query was generated.
DiscoveredOrModified	A search alerts MUST be generated if either a new result is discovered or an existing result is modified after the last time the alert for the registered search query was generated.

2.2.5.2 KeywordInclusion

Namespace: http://schemas.datacontract.org/2004/07/Microsoft.Office.Server.Search.Query

The **KeywordInclusion** simple type is used to represent how the protocol server combines tokens in a search query to form the **query text** that is used to find indexed items that match the search query.

```
<xs:simpleType name="KeywordInclusion" xmlns:xs="http://www.w3.org/2001/XMLSchema">
  <xs:restriction base="xs:string">
    <xs:enumeration value="AllKeywords"/>
    <xs:enumeration value="AnyKeyword"/>
  </xs:restriction>
</xs:simpleType>
```

The following table specifies the allowable values for the **KeywordInclusion** simple type.

Value	Meaning
AllKeywords	The protocol server combines the individual tokens by using the Boolean AND operation. The protocol server MUST find all token in the search query in a crawled item for the crawled item to be part of the search results
AnyKeyword	The protocol server combines the individual tokens by using the Boolean OR operation. The protocol server MUST find at least one token in the search query in a crawled item for the crawled item to be part of the search results.

2.2.5.3 QueryAuthenticationType

Namespace: http://schemas.datacontract.org/2004/07/Microsoft.Office.Server.Search.Query

The **QueryAuthenticationType** simple type is used to represent the type **search security descriptor**.

```
<xs:simpleType name="QueryAuthenticationType" xmlns:xs="http://www.w3.org/2001/XMLSchema">
  <xs:restriction base="xs:string">
    <xs:enumeration value="NtAuthenticatedQuery"/>
    <xs:enumeration value="PluggableAuthenticatedQuery"/>
  </xs:restriction>
</xs:simpleType>
```

The following table specifies the allowable values for the **QueryAuthenticationType** simple type.

Value	Meaning
NtAuthenticatedQuery	MUST be a Windows security descriptor
PluggableAuthenticatedQuery	MUST be a custom security descriptor used in pluggable security authentication .

2.2.5.4 QueryHint

Namespace: http://schemas.datacontract.org/2004/07/Microsoft.Office.Server.Search.Query

The **QueryHint** simple type is used to represent how the protocol server processes a search query.

```
<xs:simpleType name="QueryHint" xmlns:xs="http://www.w3.org/2001/XMLSchema">
  <xs:list>
    <xs:simpleType>
      <xs:restriction base="xs:string">
        <xs:enumeration value="None"/>
        <xs:enumeration value="OptimizeWithFullTextIndex"/>
        <xs:enumeration value="OptimizeWithPropertyStore"/>
        <xs:enumeration value="PropertySelectWithInClause"/>
        <xs:enumeration value="PropertySelectWithTempTable"/>
        <xs:enumeration value="UseSqlFirstJoinStrategy"/>
        <xs:enumeration value="AvoidSqlOuterJoins"/>
      </xs:restriction>
    </xs:simpleType>
  </xs:list>
</xs:simpleType>
```

The following table specifies the allowable values for the **QueryHint** simple type.

Value	Meaning
None	The protocol server MUST determine whether to use the metadata index or the full-text index catalog first when processing a query.
OptimizeWithFullTextIndex	The protocol server MUST use the full-text index catalog first when processing a query.
OptimizeWithPropertyStore	The protocol server MUST use the metadata index first when processing a query.
PropertySelectWithInClause	Obsolete.
PropertySelectWithTempTable	Obsolete.
UseSqlFirstJoinStrategy	The protocol server MUST use the metadata index first when it guarantees correctness of the results. Otherwise, MUST use the full-text index.
AvoidSqlOuterJoins	The protocol server MUST NOT use outer joins when processing a query.

2.2.5.5 ResultType

Namespace: http://schemas.datacontract.org/2004/07/Microsoft.Office.Server.Search.Query

The **ResultType** simple type specifies an enumeration of the types of search results to return for a **search query**. Any element of this type MUST contain one or more of the enumeration values specified in this section. This enumeration is also used to annotate the **ResultTable** (section [3.1.4.1.3.6](#)) data type to indicate the type of search results contained in it.

```
<xs:simpleType name="ResultType" xmlns:xs="http://www.w3.org/2001/XMLSchema">
  <xs:list>
    <xs:simpleType>
      <xs:restriction base="xs:string">
        <xs:enumeration value="None"/>
        <xs:enumeration value="RelevantResults"/>
        <xs:enumeration value="SpecialTermResults"/>
        <xs:enumeration value="HighConfidenceResults"/>
        <xs:enumeration value="DefinitionResults"/>
        <xs:enumeration value="VisualBestBetsResults"/>
        <xs:enumeration value="RefinementResults"/>
        <xs:enumeration value="Extended"/>
      </xs:restriction>
    </xs:simpleType>
  </xs:list>
</xs:simpleType>
```

The following table specifies the allowable values for the **ResultType** simple type.

Value	Meaning
None	No result type is specified.
RelevantResults	Specifies that the protocol server MUST return the result set that contains the actual query results from the crawled items that apply to the search query. The protocol server MUST annotate the corresponding result set in ResultTable.ResultType (as specified in section 3.1.4.1.3.6) with value RelevantResults .
SpecialTermResults	Specifies that the protocol server MUST return the result set that contains the best bets that apply to the search query. The protocol server MUST annotate the corresponding

Value	Meaning
	result set in ResultTable.ResultType (as specified in section 3.1.4.1.3.6) with value SpecialTermResults . If QueryProperties.ResultsProvider (as specified in section 2.2.4.11) is SearchServer.FASTSearch , this value MUST be ignored by the protocol server.
HighConfidenceResults	Specifies that the protocol server MUST return the result set that contains the high confidence results that apply to the search query. The protocol server MUST annotate the corresponding result set in ResultTable.ResultType (as specified in section 3.1.4.1.3.6) with value HighConfidenceResults . If QueryProperties.ResultsProvider (as specified in section 2.2.4.11) is SearchServer.FASTSearch , this value MUST be ignored by the protocol server.
DefinitionResults	Specifies that the protocol server MUST return the extracted definitions that apply to the search query. The protocol server MUST annotate the corresponding result set in ResultTable.ResultType (as specified in section 3.1.4.1.3.6) with value DefinitionResults . If QueryProperties.ResultsProvider (as specified in section 2.2.4.11) is SearchServer.FASTSearch , this value MUST be ignored by the protocol server.
VisualBestBetsResults	Specifies that the protocol server MUST return the result set that contains the visual best bet results that apply to the search query. The protocol server MUST annotate the corresponding result set in ResultTable.ResultType (as specified in section 3.1.4.1.3.6) with value VisualBestBetsResults . If QueryProperties.ResultsProvider (as specified in section 2.2.4.11) is SearchServer.SharepointSearch , this value MUST be ignored by the protocol server.
RefinementResults	Specifies that the protocol server MUST return the result set that contains the refinement results that apply to the search query. The protocol server MUST annotate the corresponding result set in ResultTable.ResultType (as specified in section 3.1.4.1.3.6) with value RefinementResults . If QueryProperties.ResultsProvider (as specified in section 2.2.4.11) is SearchServer.SharepointSearch , this value MUST be ignored by the protocol server.
Extended	Specifies that a protocol server MUST annotate the result set with the Extended value in ResultTable.ResultType (as specified in section 3.1.4.1.3.6), if the result set it contains does not correspond to any of the above ResultType values.

2.2.5.6 SearchProvider

Namespace: http://schemas.datacontract.org/2004/07/Microsoft.Office.Server.Search.Query

The **SearchProvider** simple type represents the **search provider** that is used to handle the current request.

```
<xs:simpleType name="SearchProvider" xmlns:xs="http://www.w3.org/2001/XMLSchema">
  <xs:restriction base="xs:string">
    <xs:enumeration value="Default"/>
    <xs:enumeration value="SharepointSearch"/>
    <xs:enumeration value="FASTSearch"/>
  </xs:restriction>
</xs:simpleType>
```

The following table specifies the allowable values for the **SearchProvider** simple type.

Value	Meaning
Default	Specifies that the default search provider specified in

Value	Meaning
	SearchServiceApplication.DefaultSearchProvider as specified in abstract data model section 3.1.1.2 MUST be used for the current request.
SharepointSearch	Specifies that the search provider with name SharePointSearch MUST be used for the current request.
FASTSearch	Specifies that the search provider with name FASTSearch MUST be used for the current request.

2.2.5.7 SPUrlZone

Namespace: <http://schemas.datacontract.org/2004/07/Microsoft.SharePoint.Administration>

The **SPUrlZone** simple type contains information about the **URL zone** that MUST be used for **alternate access mapping** of incoming **URL(s)** to the right content and vice versa.

```
<xs:simpleType name="SPUrlZone" xmlns:xs="http://www.w3.org/2001/XMLSchema">
  <xs:restriction base="xs:string">
    <xs:enumeration value="Default"/>
    <xs:enumeration value="Intranet"/>
    <xs:enumeration value="Internet"/>
    <xs:enumeration value="Custom"/>
    <xs:enumeration value="Extranet"/>
  </xs:restriction>
</xs:simpleType>
```

The following table specifies the allowable values for the **SPUrlZone** simple type.

Value	Meaning
Default	Specifies that the protocol server MUST use the mappings defined in the default zone for alternate access mapping.
Intranet	Specifies that the protocol server MUST use the mappings defined in the Intranet zone for alternate access mapping.
Internet	Specifies that the protocol server MUST use the mappings defined in the Internet zone for alternate access mapping.
Custom	Specifies that the protocol server MUST use the mappings defined in the Custom zone for alternate access mapping.
Extranet	Specifies that the protocol server MUST use the mappings defined in the Extranet zone for alternate access mapping.

2.2.5.8 guid

Namespace: <http://schemas.microsoft.com/2003/10/Serialization/>

The **guid** simple type represents a **GUID**.

```
<xs:simpleType name="guid" xmlns:xs="http://www.w3.org/2001/XMLSchema">
  <xs:restriction base="xs:string">
```

```

    <xs:pattern value="[\da-fA-F]{8}-[\da-fA-F]{4}-[\da-fA-F]{4}-[\da-fA-F]{4}-[\da-fA-F]{12}"/>
  </xs:restriction>
</xs:simpleType>

```

2.2.5.9 SecureStoreCredentialType

Namespace:

<http://schemas.datacontract.org/2004/07/Microsoft.BusinessData.Infrastructure.SecureStore>

The **SecureStoreCredentialType** simple type contains information about the type of the secure store credential.

```

<xs:simpleType name="SecureStoreCredentialType" xmlns:xs="http://www.w3.org/2001/XMLSchema">
  <xs:restriction base="xs:string">
    <xs:enumeration value="UserName"/>
    <xs:enumeration value="Password"/>
    <xs:enumeration value="Pin"/>
    <xs:enumeration value="Key"/>
    <xs:enumeration value="Generic"/>
    <xs:enumeration value="WindowsUserName"/>
    <xs:enumeration value="WindowsPassword"/>
    <xs:enumeration value="Certificate"/>
    <xs:enumeration value="CertificatePassword"/>
  </xs:restriction>
</xs:simpleType>

```

The following table specifies the allowable values for the **SecureStoreCredentialType** simple type.

Value	Meaning
UserName	The user name credential type.
Password	The password credential type.
Pin	The pin credential type.
Key	The key credential type.
Generic	The generic credential type.
WindowsUserName	The window user name credential type.
WindowsPassword	The window password credential type.
Certificate	The certificate credential type.
CertificatePassword	The password associated with the certificate credential type.

2.2.6 Attributes

This specification does not define any common **XML schema** attribute definitions.

2.2.7 Groups

This specification does not define any common **XML schema** group definitions.

2.2.8 Attribute Groups

This specification does not define any common **XML schema** attribute group definitions.

2.2.9 Common Data Structures

This specification does not define any common **XML schema** data structures.

Preliminary

3 Protocol Details

In the following sections, the schema definition might differ from the processing rules imposed by the protocol. The **WSDL** in this specification matches the WSDL that shipped with the product and provides a base description of the schema. The text that introduces the WSDL might specify differences that reflect actual Microsoft product behavior. For example, the schema definition might allow for an element to be **empty**, **null**, or **not present** but the behavior of the protocol as specified restricts the same elements to being **non-empty**, **not null**, and **present**.

The client side of this protocol is simply a pass-through. That is, no additional timers or other state is required on the client side of this protocol. Calls that are made by the higher-layer protocol or application are passed directly to the transport, and the results that are returned by the transport are passed directly to the higher-layer protocol or application.

Except where specified, protocol clients SHOULD interpret **Hypertext Transfer Protocol (HTTP)** status codes that are returned by the protocol server as specified in [\[RFC2616\]](#), section 10.

This protocol allows protocol servers to notify protocol clients of application-level faults by using **SOAP faults**. Except where otherwise specified, these SOAP faults are not significant for interoperability and protocol clients can interpret them in an implementation-specific manner.

This protocol allows protocol servers to perform implementation-specific authorization checks and to notify protocol clients of authorization faults by using either HTTP status codes or SOAP faults, as specified previously in this section.

3.1 Server Details

3.1.1 Abstract Data Model

This section describes a conceptual model of possible data organization that an implementation maintains to participate in this protocol. The described organization is provided to facilitate the explanation of how the protocol behaves. This document does not mandate that implementations adhere to this model as long as their external behavior is consistent with that described in this document.

3.1.1.1 Object Hierarchy

The protocol server maintains a hierarchy of objects representing the state of the Search Query Shared Services Protocol. These objects are primarily used by the protocol server to respond to protocol client requests for information about Search Service, to execute a search query, for storing verbose query monitoring data, or to store query log data. The following figure is a diagram of these objects. Properties followed by [0..n] are collections of items of the same kind, whereas those followed by [1] are single properties. Following the diagram are descriptions of each property.

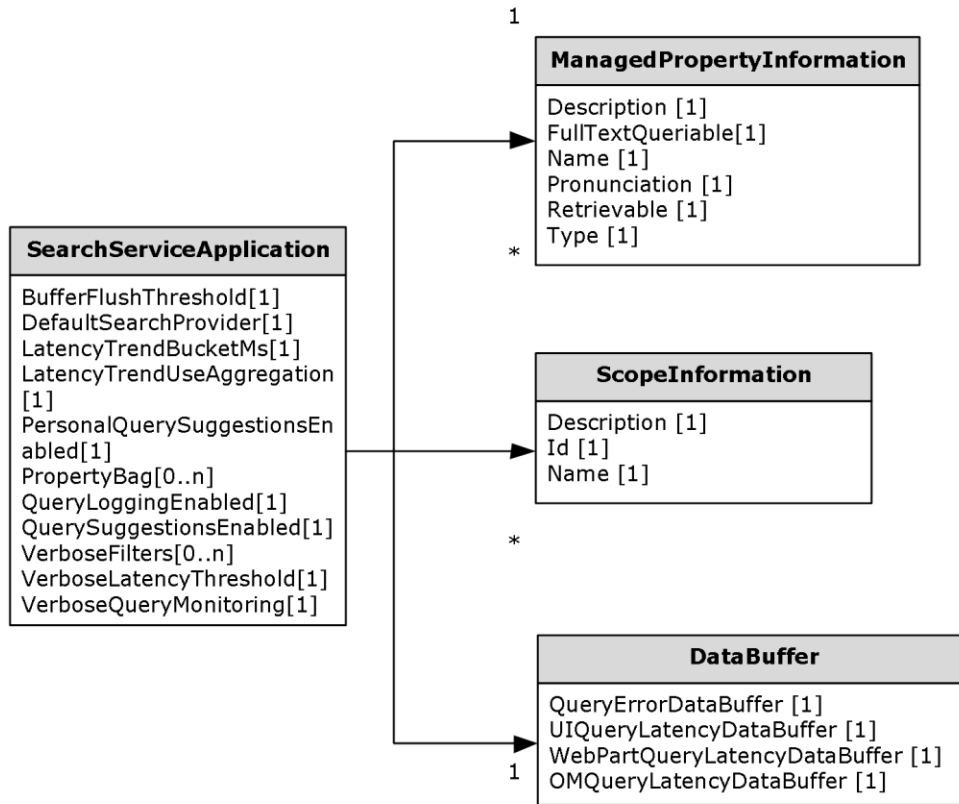


Figure 2: Object hierarchy

SearchServiceApplication: This object represents information about the **search service application**.

ManagedPropertyInformation: This object stores information about **managed properties** defined in the protocol server.

ScopeInformation: This object stores information about search scopes defined in the protocol server.

DataBuffer: This object stores query monitoring data sent from protocol client which assists the administrators of the protocol server to collect information about query performance as well as errors encountered in the protocol client.

3.1.1.2 Search Service Application Information

The protocol server maintains a **SearchServiceApplication** object to store information configured for the search service application. The protocol client can request this information to get the properties for the search service application and call operations based on the properties.

SearchServiceApplication: This object represents information about the search service application.

- **DefaultSearchProvider:** The default search provider configured for this search service application.

- **PersonalQuerySuggestionsEnabled:** If "true", personal query and results suggestions are turned on for the search service application.
- **PropertyBag:** Specifies configuration settings as key-value pairs. This property exists only if **QueryProperties.ResultsProvider** is equal to **SearchProvider.FASTSearch**.<44>
- **QueryLoggingEnabled:** If "true", the query logging is enabled for the search service application.
- **QuerySuggestionsEnabled:** If "true", query suggestions are turned on for the search service application.
- **VerboseQueryMonitoring:** If "true", verbose query monitoring is turned on for the search service application.

3.1.1.3 Managed Property Information

The protocol server maintains a collection of **ManagedPropertyInformation** objects to store information about managed properties defined in the protocol server. The protocol client can request this information to get details about the managed properties and then use that information to create search queries.

ManagedPropertyInformation: This object represents information about a managed property defined in the protocol server.

- **Description:** The description of the managed property.
- **FullTextQueryable:** If "true", the managed property is property that can be searched in a full-text search. Otherwise, the managed property is not property that can be searched in a full-text search.
- **Name:** The name for the managed property.
- **Pronunciation:** If "true", the protocol server maintains a phonetic form of the managed property values, otherwise, the protocol server does not maintain a phonetic form of the managed property values.
- **Retrievable:** If "true", the managed property is a retrievable managed property. That is, it can be returned as part of a search result. Otherwise, the managed property is not a retrievable property.
- **Type:** Specifies the type of the managed property.

3.1.1.4 Scope Information

The protocol server maintains a collection of **ScopeInformation** objects to store information about search scopes defined in the protocol server. The protocol client can request these objects to get details about the search scopes defined in the protocol server and then generate search queries using those scopes. The protocol server also maintains a collection of **search scope consumers**.

ScopeInformation: This object represents information about a search scope defined in the protocol server. The protocol client can request this information to identify which scopes are defined in the protocol server and then use those for search queries.

- **Description:** The description of the search scope.
- **ID:** The unique identifier of the search scope.
- **Name:** The name of the search scope.

3.1.1.5 Query Monitoring Information

The following diagram shows the hierarchy of objects representing information about query monitoring data. Properties followed by "[0..n]" are collections of items of the same kind, whereas those followed by "[1]" are single properties. The protocol server stores the query monitoring data in the hierarchy of objects in the following figure. The query monitoring data is available to assist the administrators of the protocol server to collect information about query performance as well as errors encountered in the protocol client.

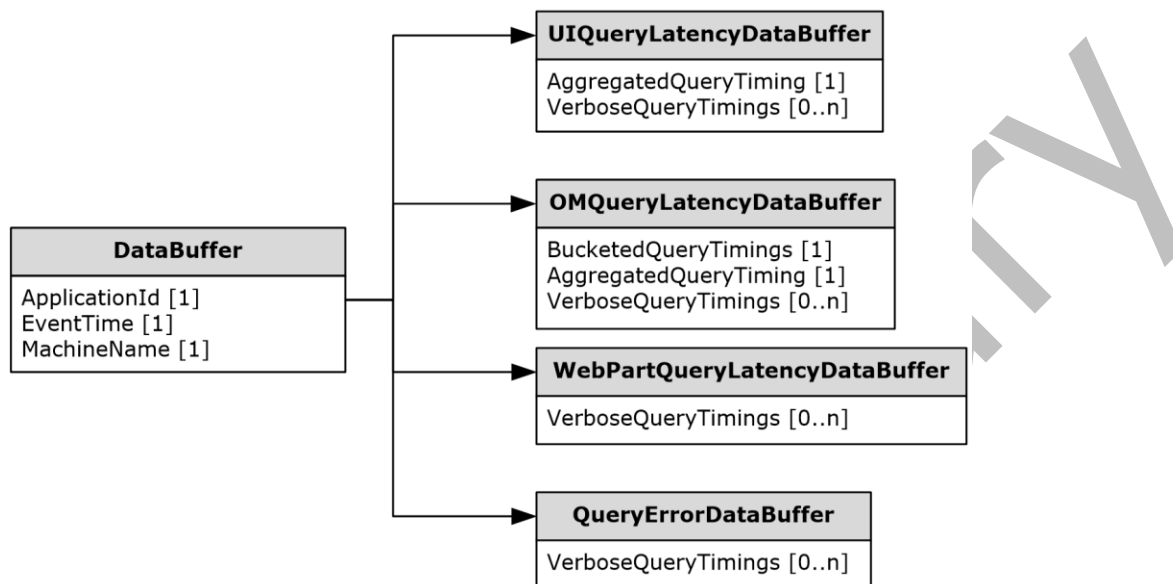


Figure 3: Query monitoring information

DataBuffer: This is the base object used by all the different types of **DataBuffer** objects. This object defines a common set of properties for all types of **DataBuffer** object. The protocol server maintains one object for each type of **DataBuffer**.

- **ApplicationId:** The unique identifier of the **search service application**.
- **EventTime:** The date and time, in **UTC** format, at which the event occurred.
- **MachineName:** The name of the computer on which the event occurred.

UIQueryLatencyDataBuffer: This is the top-level object that represents information about time spent in rendering search results in the search results page in the protocol client.

This object extends the **DataBuffer** object. The protocol sever maintains one object of this type per-search service application. It contains aggregated latency information for all **search queries** as well as information for each query, if verbose query monitoring is turned on. The object has the following properties:

- **AggregatedQueryTiming:** The aggregated latency information for all search queries. It contains:
 - **ApplicationType:** The ClientType of the search queries.
 - **CustomTags:** Any specific tags that identify the search queries.
 - **ExclusiveWebpartTimeMs:** The total time, in milliseconds, consumed exclusively by search **Web Parts** to process all the search queries.

- **ImFlow:** The name of the main query and result processing flow used to process the search queries.
- **InclusiveWebpartTimeMs:** The total time, in milliseconds, consumed by all Web Parts during the processing of all the search queries.
- **NumQueries:** The total number of search queries processed by the protocol client.
- **ResultPageUrl:** The URI of the result page from which the search queries originate.
- **TenantId:** The unique identifier of the **tenant** from which the search queries were issued.
- **TotalQueryTimeMs:** The total time, in milliseconds, consumed by the search results page to process all the search queries.
- **VerboseQueryTimings:** The collection of the latency information for each search query. It will be maintained by the protocol server only if **SearchServiceApplication.VerboseQueryMonitoring** is set to "true". Each item in the collection holds:
 - **CorrelationId:** The unique identifier used to identify all the query monitoring data for the search query.
 - **ExclusiveWebpartTimeMs:** The time in milliseconds consumed exclusively by search Web Parts to process the search query.
 - **InclusiveWebpartTimeMs:** The time in milliseconds consumed by all Web Parts during the processing of the search query.
 - **QueryTerms:** The query terms of the search query.
 - **TotalQueryTimeMs:** The latency in milliseconds consumed by search results page to execute the search query.
 - **Url:** The URI of the page that issued the search query.

OMQueryLatencyDataBuffer: This is the top-level object that represents information about time spent in processing of search queries in the protocol server.

This object extends the **DataBuffer** object. The protocol sever maintains one object of this type per search service application. It contains aggregated latency information for processing all search queries in the protocol server. If verbose query monitoring is turned on, it also contains latency information for processing every single search query in the protocol server. It has the following properties:

- **BucketedQueryTimings:** The aggregated latency information for all search queries, approximated to a value determined by the protocol server.
 - **ApplicationType:** The **ClientType** of the search queries.
 - **CustomTags:** Any specific tags that identify the search queries.
 - **ImFlow:** The name of the main query and result processing flow used to process the search queries.
 - **IMSProxyTimeMs:** The total time in milliseconds taken by intermediate processing of all search queries in the protocol sever, approximated to a value determined by the protocol server. The value stored here is specific to the implementation of the protocol server.
 - **NumQueries:** The total number of search queries processed.

- **QPTimeMs:** The total time in milliseconds taken by any intermediate processing of all search queries in the protocol server, approximated to a value determined by the protocol server. The value stored here is specific to the implementation of the protocol server.
- **ResultPageUrl:** The URI of the result page from which the search queries originate.
- **TenantId:** The unique identifier of the tenant that issued the search queries.
- **TotalQueryTimeMs:** The total time, in milliseconds, taken by the protocol server to process all the search queries, approximated to a value determined by the protocol server
- **AggregatedQueryTiming:** The aggregated latency information for all search queries. It contains:
 - **ApplicationType:** The **ClientType** of the search queries.
 - **CustomTags:** Any specific tags that identify the search queries.
 - **ImFlow:** The name of the main query and result processing flow used to process the search queries.
 - **IMSProxyTimeMs:** The total time in milliseconds taken by intermediate processing of all search queries in the protocol sever. The value stored here is specific to the implementation of the protocol server.
 - **NumQueries:** The total number of search queries processed.
 - **QPTimeMs:** The total time in milliseconds taken by any intermediate processing of all search queries in the protocol server. The value stored here is specific to the implementation of the protocol server.
 - **ResultPageUrl:** The URI of the result page from which the search queries originate.
 - **TenantId:** The unique identifier of the tenant that issued the search queries.
 - **TotalQueryTimeMs:** The total time, in milliseconds, taken by the protocol server to process all the search queries.
- **VerboseQueryTimings:** The collection of the latency information for each search query. It will be maintained by the protocol server only if **SearchServiceApplication.VerboseQueryMonitoring** is set to "true". Each item in the collection holds:
 - **CorrelationId:** The unique identifier used to identify all the query monitoring data for the search query.
 - **IMSProxyTimeMs:** The total time in milliseconds taken by intermediate processing of the search query in the protocol sever. The value stored here is specific to the implementation of the protocol server.
 - **QPMachine:** The name of the computer that processed the search query in the protocol server.
 - **QPTimeMs:** The time in milliseconds taken by intermediate processing of the search query in the protocol server. The value stored here is specific to the implementation of the protocol server.
 - **QueryTerms:** The query terms of the search query.
 - **TotalQueryTimeMs:** The total latency, in milliseconds, taken by the protocol server to process the search query.

WebPartQueryLatencyDataBuffer: This is the top level object that represents information about time spent to render each search Web Part on the search results page on every query executed. This object extends the **DataBuffer** object. If verbose query monitoring is turned on, the protocol server maintains one object of this type per search service application. Its properties are:

- **VerboseQueryTimings:** The collection of the rendering time information for each search query and search Web Part. Each item in the collection has these properties:
 - **CorrelationId:** The unique identifier used to identify all the query monitoring data for the search query.
 - **ExclusiveWebpartTimeMs:** The time spent in milliseconds to render the search Web Part with the specified **WebPartId**.
 - **InclusiveWebpartTimeMs:** The time spent in milliseconds to render all the search Web Parts on the search results page.
 - **WebPartId:** The unique identifier of the search Web Part for which the latency information is represented.
 - **WebPartTitle:** The title of the search Web Part.

QueryErrorDataBuffer: This is the top level object that represents information about errors occurred during processing of search queries in the protocol client. This object extends the **DataBuffer** object. The protocol sever maintains one object of this type, that contains query error information if verbose query monitoring is turned on. This object has the following properties:

- **VerboseQueryTimings:** The list of errors occurred during the processing of all the search queries in the protocol client. It is maintained by the protocol server only if **SearchServiceApplication.VerboseQueryMonitoring** is set to "true". Each item in the collection represents an error and has the following properties:
 - **CorrelationId:** The unique identifier used to identify all the query monitoring data for the search query.
 - **Exception:** The details of the exception that is specific to the implementation of the protocol client.
 - **Operation:** The details of the operation that caused the exception of the search query in the protocol client.

3.1.1.6 Query logging

The search service stores the information about each executed query into the query log as page impressions. <45> A page impression represents some query properties as well as data returned by search, including documents, promoted results, et cetera. Each page impression has a unique identifier and is assigned to one partition bucket which is used to partition data among link databases. Each partition bucket is assigned to exactly one of the link databases. If a new link database is added or one needs to be deleted then the query information can be repartitioned between databases using these buckets.

Each page impression is built out of query properties based on user settings and a ResultTableCollection (section [3.1.4.1.3.1](#)) returned by executing the query.

The ResultTableCollection is represented by a list of ResultTables (section [3.1.4.1.3.6](#)) which are grouped into sets of blocks. Each block set is represented as an ordered list of blocks.

Each block contains a list of references to search results. There is a set of standard blocks with fixed identifiers such as common results, promoted results, and people results. Other blocks are added dynamically based on query rules.

The following block types have predefined identifiers:

Value	Description
0	Promoted results
1	Personal favorite results
2	Original user query results

Block types with value greater or equal 100 are custom blocks and represent result blocks produced by query rules for particular queries.

In turn, each search result consists of a URL and a title; each search result is assigned a search result unique identifier and a partition bucket. Page impressions and search results are partitioned separately.

Each ResultTable represents a block of results in a page impression except for a ResultTable with TableType "RefinementResults" which contains refiners returned by search service. Refiners are not logged in query logging.

When a user clicks on a search result, information about the click is sent to the server. The information includes a page impression identifier and partition bucket associated with the query and information about which result was clicked.

On a high level, query logging happens in the following way:

1. A client search request is executed and its **query results** are retrieved.
2. The query is assigned a page impression identifier from a pool of unused page impression identifiers, or a new pool is requested if necessary. A partition bucket is assigned based on the user query.
3. The page impression is built from the query results and query properties and is cached into the memory. Information about the assigned page impression identifier, partition bucket, and query language code identifier is added to the query properties to be returned to the client. To track future clicks on the query's results, additional information, such as block type, result position, and click types, is added to each search result.
4. Once the page impression cache reaches its limit, or after an implementation-specific time has passed, the page impressions are flushed to databases. Some data goes directly to final tables and some data, such as search results, goes to the unprocessed table, where temporary identifiers are assigned that will require further resolution.
5. If a search result gets clicked on the client, the client code collects information about the page impression and its search results and then calls RecordPageClick with this data using CSOM ([\[MS-SRCHCSOM\]](#) section 3.1.5.18.2.1.3).

3.1.2 Timers

None.

3.1.3 Initialization

None.

3.1.4 Message Processing Events and Sequencing Rules

The following table summarizes the list of operations as defined by this specification.

Operation	Description
Execute	This operation is used to execute a search query and retrieve a list of links to items, crawled locally by the protocol server or provided by another search engine, that are relevant to the search query, together with associated properties.
GetClickFrequenciesForUrl	This operation is used to retrieve the click frequencies of a given URI for the past week and the past month from a given reference date.
GetImsEndpointAddresses	The GetImsEndpointAddresses operation is used by the protocol client to obtain a list web service URIs from the protocol server. Each of the URIs in the list serves search.
GetProperties	This operation is used by the protocol client to retrieve information about all the managed properties defined in the protocol server.
GetQueryCompletions	The GetQueryCompletions operation is used by the protocol client to obtain the query completions for a query from the protocol server.
GetQueryHealthMonitoringSettings	This operation <46> is used by the protocol client to obtain query health monitoring settings from the protocol server.
GetQueryHealthMonitoringSettingsForComponents	This operation is used by the protocol client to obtain query health monitoring settings from the protocol server. <47>
GetQuerySuggestions	This operation is used to retrieve a list of query suggestions to match a search query. There are two types of query suggestions: pre-query suggestions and post-query suggestions . In pre-query suggestions, the last term in the search box MUST be matched by prefix. In post-query suggestions the last term MUST be matched exactly.
GetQuerySuggestionsWithResults	This operation <48> is used to retrieve a list of query suggestions and suggested personal results to match a search query. There are two types of query suggestions: pre-query suggestions and post-query suggestions. In pre-query suggestions, the last term in the search box SHOULD be matched by prefix. In post-query suggestions, the last term SHOULD be matched exactly. The query suggestions SHOULD also include queries issued by the current user multiple times before this request. The personal results SHOULD be returned when the current user has clicked repeatedly on the same URL in the search results for any of the suggested queries. Query suggestions and personal results MUST NOT include any queries or results that were clicked by the user before ClearUserClickHistory was called, as specified in [MS-SADMWS] section 3.1.4.85
GetScopes	This operation is used by the protocol client to retrieve

Operation	Description
	information about all the search scopes that are available on the protocol server for the specified search scope consumer .
GetSearchServiceApplicationInfo	This operation is used by the protocol client to get the properties configured for the search application .
GetSearchTerms	The GetSearchTerms operation is used by the protocol client to retrieve the text restriction of a keyword query as interpreted by the protocol server.
GetTopQueryStringsForUri	For each crawled item that is identified by a URI , the protocol server MUST store a list of executed search queries that return this item in their query results within 366 days. This list MUST be sorted in descending order by the frequency of occurrence of the search queries. This operation returns a specified number of search queries from this sorted list for a given URI .
GetZeroTermsQuerySuggestionsWithResults	Returns query suggestions without any user keywords. The protocol client MAY call this method when implementing a search box to show suggestions before the user types anything into the search box.
HighlightStringValue	This operation is used by the protocol client to highlight all the occurrences of specified query terms in a specified string value by enclosing each of them within an open () and close () tag.
HighlightStringValueQuerySuggestions	This operation is used by the protocol client to highlight all the occurrences of specified query terms in a specified string value by enclosing each of them within an open () and close () tag in the context of query suggestions.
IsUrlMappingCached	The IsUrlMappingCached operation is used by the protocol client to obtain information about the cache status of the URL mapping in the protocol server and to trigger a refresh of the cache.
IsUrlMappingCachedWithHash	The IsUrlMappingCachedWithHash operation is used by the protocol client to obtain information about the cache status of the URL mapping in the protocol server. The operation allows for a different cache state for each site collection in the URL zone. The protocol client uses the information to trigger a cache update or refresh when needed.
RecordClick	<p>This operation MUST be used only when PropertiesContractVersion used to send search queries has a value of either 14.0.0.0 or 14.5.0.0. (section 2.2.4.11). In all other cases, the RecordPageClick operation (section 3.1.4.16) MUST be used instead of the RecordClick operation.</p> <p>This operation is used by the protocol client to inform the protocol server that a clickthrough happened or the user navigated away from the page. When a clickthrough happens, the protocol client sends the details of the clickthrough and the search query, for which the query result was clicked, to the protocol server. When a user navigates away from the page, the protocol client sends the details of the search</p>

Operation	Description
	query to the protocol server.
RecordOMQueryDone	This operation is used by the protocol client to inform the protocol server about the latency for processing the search query on the protocol server, as reported by the protocol server in the ExecuteResult element of the ExecuteResponse message, as specified in section 3.1.4.1.2.2. The protocol client MUST collect this latency information for search queries executed within each time period determined by the protocol server and send it in a single message to the protocol server. <49>
RecordOMQueryDoneEvent	This operation is used by the protocol client to inform the protocol server about the latency for processing the search query on the protocol server, as reported by the protocol server in the ExecuteResult element of the ExecuteResponse message, as specified in section 3.1.4.1.2.2. The protocol client MUST collect this latency information for search queries executed within each time period determined by the protocol server and send it in a single message to the protocol server. <50>
RecordPageClick	This operation <51> is used by the protocol client to inform the protocol server that a user clicked a query result on a page. When a click happens, the protocol client sends the details about the click and the page impression for which the query result was clicked to the protocol server. This operation MUST NOT be used if no query logging information is returned for a query. Also this operation MUST NOT be used if a user clicks a query result for which query logging information was not returned (section 3.1.1.6).
RecordQueryError	This operation is used by the protocol client to inform the protocol server of any errors that occurred during the processing of search queries in the protocol client. The protocol client MUST collect the error information for all queries executed within each time period determined by the protocol server and send them in a single message. <52>
RecordQueryErrorEvent	This operation <53> is used by the protocol client to inform the protocol server of any errors that occurred during the processing of search queries in the protocol client. The protocol client MUST collect the error information for all queries executed within each time period determined by the protocol server and send them in a single message.
RecordUIQueryDone	This operation is used to inform the protocol server about the search query latency of the search results page. The protocol client MUST collect the latency information for all search queries executed in each time period determined by the protocol server and send it in a single message to the protocol server. <54>
RecordUIQueryDoneEvent	This operation <55> is used to inform the protocol server about the search query latency of the search results page. The protocol client MUST collect the latency information for all search queries executed in

Operation	Description
	each time period determined by the protocol server and send it in a single message to the protocol server.
RecordWebPartQueryDone	This operation is used by the protocol client to inform the protocol server about the search query latency of the Web Parts on the search results page. The protocol client MUST collect the latency information for search queries executed within each time period determined by the protocol server and send it in a single message to the protocol server. <56>
RecordWebPartQueryDoneEvent	This operation <57> is used by the protocol client to inform the protocol server about the search query latency of the Web Parts on the search results page. The protocol client MUST collect the latency information for search queries executed within each time period determined by the protocol server and send it in a single message to the protocol server.

3.1.4.1 Execute

This operation is used to execute a **search query** and retrieve a list of links to items, crawled locally by the protocol server or provided by another search engine, that are relevant to the search query, together with associated properties.

The following is the **WSDL** port type specification of the **Execute WSDL operation**.

```
<wsdl:operation name="Execute" xmlns:wsdl="http://schemas.xmlsoap.org/wsdl/">
  <wsdl:input wsaw:Action="http://tempuri.org/ISearchQueryServiceApplication/Execute"
    message="tns:ISearchQueryServiceApplication_Execute_InputMessage"
    xmlns:wsaw="http://www.w3.org/2006/05/addressing/wsdl"/>
  <wsdl:output
    wsaw:Action="http://tempuri.org/ISearchQueryServiceApplication/ExecuteResponse"
    message="tns:ISearchQueryServiceApplication_Execute_OutputMessage"
    xmlns:wsaw="http://www.w3.org/2006/05/addressing/wsdl"/>
  <wsdl:fault
    wsaw:Action="http://tempuri.org/ISearchQueryServiceApplication/ExecuteSearchServiceApplicationFaultFault"
    name="SearchServiceApplicationFaultFault"
    message="tns:ISearchQueryServiceApplication_Execute_SearchServiceApplicationFaultFault_FaultMessage"
    xmlns:wsaw="http://www.w3.org/2006/05/addressing/wsdl"/>
</wsdl:operation>
```

The protocol client sends an **ISearchQueryServiceApplication_Execute_InputMessage** request message, as specified in section 3.1.4.1.1.1, and the protocol server responds with an **ISearchQueryServiceApplication_Execute_OutputMessage** response message, as specified in section 3.1.4.1.1.2, as follows:

- The client formulates a search query that specifies which items to retrieve, which **result source** to retrieve them from, how to sort the retrieved items, and which properties to retrieve for each item, as specified in section 3.1.1. On receipt, the protocol server interprets the search query and assembles a list of items that are relevant to the search query. Then, it retrieves the properties for each result that were specified in the search query, and includes them in the response to the search query.
- If the **properties** element is absent or is empty, the protocol server MUST return a **FaultException<ExceptionDetail>** error message.

- If the **properties** element conforms to the schema of the **KeywordQueryProperties** data type, as specified in section 3.1.4.7.3.1, and if for at least one managed property specified in the **properties.SelectProperties** element, the **Retrievable** flag, as specified in section 3.1.1.3, is not set to "true", the protocol server MUST return a **FaultException<SearchServiceApplicationFault>** error message.
- If the **properties** element conforms to the schema of the **KeywordQueryProperties** data type, as specified in section 3.1.4.7.3.1, and if the same managed property is specified more than once in the **properties.SelectProperties** element, the protocol server MUST return a **FaultException<SearchServiceApplicationFault>** error message.
- If the time required by the protocol server to interpret the search query and assemble the list of items that are relevant to the search query takes longer than the time specified in the **properties.Timeout** element, the protocol server MUST return a **FaultException<SearchServiceApplicationFault>** error message.
- On any error processing the request, the protocol server MUST return a **FaultException<ExceptionDetail>** error message.

3.1.4.1.1 Messages

The following table summarizes the set of **WSDL message** definitions that are specific to this operation.

Message	Description
ISearchQueryServiceApplication_Execute_InputMessage	The request WSDL message for the Execute WSDL operation .
ISearchQueryServiceApplication_Execute_OutputMessage	The response WSDL message for the Execute WSDL operation .

3.1.4.1.1.1 ISearchQueryServiceApplication_Execute_InputMessage

The request **WSDL message** for the **Execute WSDL operation**.

The **SOAP action** value is:

```
http://tempuri.org/ISearchQueryServiceApplication/Execute
```

The **SOAP body** contains the **Execute** element.

3.1.4.1.1.2 ISearchQueryServiceApplication_Execute_OutputMessage

The response **WSDL message** for the **Execute WSDL operation**.

The **SOAP body** contains the **ExecuteResponse** element.

3.1.4.1.2 Elements

The following table summarizes the **XML schema** element definitions that are specific to this operation.

Element	Description
Execute	The input data for the Execute WSDL operation .
ExecuteResponse	The result data for the Execute WSDL operation .

3.1.4.1.2.1 Execute

The **Execute** element specifies the input data for the **Execute WSDL operation**.

```
<xs:element name="Execute" xmlns:xs="http://www.w3.org/2001/XMLSchema">
  <xs:complexType>
    <xs:sequence>
      <xs:element xmlns:q2="http://www.microsoft.com/sharepoint/search/KnownTypes/2008/08"
        minOccurs="0" name="properties" nillable="true" type="q2:QueryProperties"/>
    </xs:sequence>
  </xs:complexType>
</xs:element>
```

properties: Specifies the properties for the search query. This element **MUST NOT** be empty. This element **MUST** conform to the schema of either the **KeywordQueryProperties** complex type, as specified in section [3.1.4.7.3.1](#) or the **FullTextSqlQueryProperties** complex type, as specified in section [2.2.4.7](#).

3.1.4.1.2.2 ExecuteResponse

The **ExecuteResponse** element specifies the result data for the **Execute WSDL operation**.

```
<xs:element name="ExecuteResponse" xmlns:xs="http://www.w3.org/2001/XMLSchema">
  <xs:complexType>
    <xs:sequence>
      <xs:element xmlns:q2="http://www.microsoft.com/sharepoint/search/KnownTypes/2008/08"
        minOccurs="0" name="ExecuteResult" nillable="true" type="q2:ResultTableCollection"/>
    </xs:sequence>
  </xs:complexType>
</xs:element>
```

ExecuteResult: This element contains the **query results** for the search query. This element **MUST** conform to the schema of the **ResultTableCollection** complex type.

3.1.4.1.3 Complex Types

The following table summarizes the **XML schema** complex type definitions that are specific to this operation.

Complex type	Description
ArrayOfKeyValueOfResultTypeResultTableUTLV0zE5	This element contains a list of zero or more pairs of Key and Value elements. Each pair represents a set of query results of a specific type.
ArrayOfKeyValueOfstringSearchServiceApplicationFaulty6h3NzC8	This type contains a list of zero or more pairs of Key and Value elements. Each pair consists of a QueryId and the SearchServiceApplicationFault

Complex type	Description
	(specified in section 3.1.4.1.3.10) encountered by the search query identified by the QueryId
ArrayOfKeyValuePairOfstringResultTable_PFsic3Az	This element contains a list of zero or more pairs of Key and Value elements. Each pair represents a set of query results of a specific type.
ArrayOfResultDefinition	An array of zero or more extracted definitions for a search query.
KeyValuePairOfstringResultTable_PFsic3Az	This type contains pairs that represent set of query results of a specific type.
KeywordInformation	This type specifies zero or more tokens and their associated user authored definitions that are stored in the protocol server.
ResultDefinition	An extracted definition for a search query.
ResultTable	This contains a list of query results, all of which are of the type specified in TableType . The format of the Table element depends on the type of query results.
ResultTableCollection	Contains the search results and associated properties for a search query.
SearchServiceApplicationFault	Contains error detail of a SOAP fault.

3.1.4.1.3.1 ResultTableCollection

Namespace: <http://www.microsoft.com/sharepoint/search/KnownTypes/2008/08>

Contains the search results and associated properties for a search query.

```
<xs:complexType name="ResultTableCollection" xmlns:xs="http://www.w3.org/2001/XMLSchema">
  <xs:sequence>
    <xs:element minOccurs="0" name="DatabaseTime" type="xs:int"/>
    <xs:element minOccurs="0" name="Definition" nillable="true"
type="q2:ArrayOfResultDefinition"/>
    <xs:element minOccurs="0" name="ElapsedTime" type="xs:int"/>
    <xs:element xmlns:q3="http://schemas.microsoft.com/2003/10/Serialization/Arrays"
minOccurs="0" name="IgnoredNoiseWords" nillable="true" type="q3:ArrayOfstring"/>
    <xs:element xmlns:q3="http://schemas.microsoft.com/2003/10/Serialization/Arrays"
minOccurs="0" name="InternalQueryErrors" nillable="true"
type="q3:ArrayOfKeyValuePairOfstringSearchServiceApplicationFaulty6h3NzC8"/>
    <xs:element minOccurs="0" name="KeywordInformation" nillable="true"
type="q2:KeywordInformation"/>
    <xs:element minOccurs="0" name="QueryMachine" nillable="true" type="xs:string"/>
    <xs:element minOccurs="0" name="QueryModification" nillable="true" type="xs:string"/>
    <xs:element minOccurs="0" name="QueryProcessingTime" type="xs:int"/>
    <xs:element xmlns:q3="http://schemas.microsoft.com/2003/10/Serialization/Arrays"
minOccurs="0" name="QueryTerms" nillable="true" type="q3:ArrayOfstring"/>
    <xs:element minOccurs="0" name="SpellingSuggestion" nillable="true" type="xs:string"/>
  </xs:sequence>
</xs:complexType>
```

```

    <xs:element xmlns:q3="http://schemas.microsoft.com/2003/10/Serialization/Arrays"
minOccurs="0" name="m_ResultTables" nillable="true"
type="q3:ArrayOfKeyValueOfResultTypeResultTableUTLV0zE5"/>
    <xs:element minOccurs="0" name="IMSProxyTime" type="xs:int"/>
    <xs:element xmlns:q3="http://schemas.microsoft.com/2003/10/Serialization/Arrays"
minOccurs="0" name="Properties" nillable="true" type="q3:ArrayOfKeyValueOfstringanyType"/>
    <xs:element minOccurs="0" name="PropertiesContractVersion" nillable="true"
type="xs:string"/>
    <xs:element xmlns:q3="http://schemas.microsoft.com/2003/10/Serialization/Arrays"
minOccurs="0" name="QueryParameterTimestamps" nillable="true"
type="q3:ArrayOfKeyValueOfstringstring"/>
    <xs:element minOccurs="0" name="RemainingDeserializationSkips" type="xs:int"/>
    <xs:element minOccurs="0" name="SerializedResultTables" nillable="true"
type="xs:string"/>
    <xs:element
xmlns:tns7="http://schemas.datacontract.org/2004/07/System.Collections.Generic" minOccurs="0"
name="mResultTables" nillable="true"
type="tns7:ArrayOfKeyValuePairOfstringResultTable_PFsic3Az"/>
  </xs:sequence>
</xs:complexType>

```

DatabaseTime: The time it took to execute the database operations for retrieving results for a search query, in milliseconds. This element MUST contain a non-negative number. If

QueryProperties.ResultsProvider (as specified in section 2.2.4.11) is equal to **SearchProvider.FASTSearch**, this MUST be the time that was used to process the request by the query processing service.

Definition: An array of zero or more **extracted definitions** for a search query. The protocol server SHOULD compute a list of crawled items that contain definitions for the search query. The criteria used to determine what constitutes an extracted definition are specific to the implementation of the protocol server. This element MUST only be present if the **ResultTypes** element in the **properties** element of the **Execute** operation (as specified in section 3.1.4.1) contains

ResultType.DefinitionResults (as specified in section 2.2.5.5). If

QueryProperties.ResultsProvider (as specified in section 2.2.4.11) is equal to **SearchProvider.FASTSearch**, the protocol server MUST NOT return any extracted definitions.

ElapsedTime: The time it took to execute the search query, in milliseconds. This element MUST contain a non-negative number.

IgnoredNoiseWords: An array of zero or more **noise words** that were found in the search query. If the **properties** element specified in **Execute** message is of the complex type

FullTextSqlQueryProperties (as specified in section 2.2.4.7), then this SHOULD include all noise words that are used in the CONTAINS predicate of the search query (as specified in [MS-SEARCH] section 2.2.13.3.1.1) and FREETEXT predicate of the search query (as specified in [MS-SEARCH] section 2.2.13.3.1.2). If the **properties** element specified in **Execute** message is of the complex type **KeywordQueryProperties** (as specified in section 3.1.4.7.3.1), then this SHOULD include all noise words used in the text of the search query. If **QueryProperties.ResultsProvider** (as specified in section 2.2.4.11) is equal to **SearchProvider.FASTSearch**, the protocol server MUST return an empty array.

InternalQueryErrors: This element contains the list of query errors if there were errors during execution of the search query. If there were no errors, this element MUST be empty. This element is of type **ArrayOfKeyValueOfstringSearchServiceApplicationFaulty6h3NzC8** as specified in section 3.1.4.1.3.9.

KeywordInformation: The protocol server SHOULD store a list of user authored definitions for tokens. If such a token is found in the query text, this element SHOULD contain the token and associated definition. If no definition could be found for any of the tokens in the query text, this extended property MUST be empty.

QueryMachine: The name of the computer that is running the search service that executes the search query. The value of this element is specific to the implementation of the protocol server.

QueryModification: The modified search query. The protocol server MAY transform query terms if **EnableSpellcheck** is set to **SpellcheckMode.On** on the request, and there is a good chance that the modified query terms will increase the quality of the search results<58>. The criteria used to modify the query are specific to the implementation of the protocol server. If

QueryProperties.ResultsProvider (as specified in section 2.2.4.11) is equal to **SearchProvider.SharepointSearch**, the protocol server MUST NOT return a modified search query.

QueryProcessingTime: The time it took for intermediate processing of the search query on the protocol server, in milliseconds. This value is specific to the implementation of the protocol server.

QueryTerms: An array of zero or more tokens extracted from the search query in the order that they occur. If the **properties** element specified in **Execute** message is of the complex type **FullTextSqlQueryProperties**, this SHOULD include all tokens that are used in the **CONTAINS** predicate of the search query, as specified in [MS-SEARCH] section 2.2.13.3.1.1, and **FREETEXT** predicate of the search query, as specified in [MS-SEARCH] section 2.2.13.3.1.2. If the **properties** element specified in the **Execute** message is of the complex type **KeywordQueryProperties**, this SHOULD include all tokens used in the text of the search query. If **QueryProperties.ResultsProvider**, as specified in section 2.2.4.11, is equal to **SearchProvider.FASTSearch**, the protocol server MUST return the complete search query in the first element of the array.

SpellingSuggestion: The spelling suggestion for the search query. The protocol server can suggest a different spelling of the search query if there is a good chance that the spelling suggestion will increase the quality of the search results.<59> The criteria used to determine the spelling suggestion and when to show it are specific to the implementation of the protocol server.

m_ResultTables: This element contains the query results for the search query. Depending on the formulation of the search query, there can be multiple sets of query results contained within this element. Each set MUST contain query results of a specific type. MUST NOT include any result sets which are a result of executing query rule actions to add result blocks. MUST be set to NULL if **PropertiesContractVersion** is not set to 14.0.0.0.

IMSProxyTime: The time it took for intermediate processing of the search query on the protocol server, in milliseconds. This value is specific to the implementation of the protocol server.

Properties: Specifies a property bag of key value pairs. MUST be of **ArrayOfKeyValueOfstringanyType** data type as specified in section 2.2.4.18 SHOULD contain the following properties:

- **QueryErrors:** This property contains the list of query errors if there were errors during execution of the search query. If there were no errors, this property MUST be empty. This element is an array of **Key** and **Value** pairs. Each pair of **Key** and **Value** elements consists of a **QueryId** and the **Exception** encountered by the **search query** identified by the **QueryId**. If the error was encountered while producing a result set for a query rule, **QueryId** MUST be the unique identifier of the query rule, otherwise it MUST be the same value as the **Id** element of **QueryProperties** specified in section 2.2.4.11.
- **QueryId:** Specifies an identifier for the query. MUST be the same value as specified by the protocol client in **properties.Properties.Id**.
- **TriggeredRules:** This element contains the list of unique identifiers of the **query rules** that were executed for the search query.

PropertiesContractVersion: Specifies the version of **ResultTableCollection** complex type being used by the protocol client. MUST be set to the same value as specified in **QueryProperties.PropertiesContractVersion** in section 2.2.4.11.

QueryParameterTimestamps: MUST be ignored.

RemainingDeserializationSkips: Specifies the recommended serialization steps to skip. If the value specified in **PropertiesContractVersion** is 14.0.0.0 then the value MUST be set to -1. For all other values in **PropertiesContractVersion** the value MUST be set to 0.

SerializedResultTables: Specifies a serialized representation of **mResultTables** serialized using **DataContractSerializer**. MUST be set to NULL if **PropertiesContractVersion** is 14.0.0.0.

mResultTables: This element contains the query results for the search query. Depending on the formulation of the search query, there can be multiple sets of query results contained within this element. Each set MUST contain query results of a specific type. MUST be set to NULL, if **PropertiesContractVersion** is not 14.0.0.0 and the value of **SerializedResultTables** has been computed.

3.1.4.1.3.2 ArrayOfResultDefinition

Namespace: <http://www.microsoft.com/sharepoint/search/KnownTypes/2008/08>

An array of zero or more **extracted definitions** for a search query.

```
<xs:complexType name="ArrayOfResultDefinition" xmlns:xs="http://www.w3.org/2001/XMLSchema">
  <xs:sequence>
    <xs:element minOccurs="0" maxOccurs="unbounded" name="ResultDefinition"
type="q2:ResultDefinition"/>
  </xs:sequence>
</xs:complexType>
```

ResultDefinition: This contains a single extracted definition for a search query.

3.1.4.1.3.3 ResultDefinition

Namespace: <http://www.microsoft.com/sharepoint/search/KnownTypes/2008/08>

An **extracted definition** for a search query.

```
<xs:complexType name="ResultDefinition" xmlns:xs="http://www.w3.org/2001/XMLSchema">
  <xs:sequence>
    <xs:element minOccurs="0" name="DocHref" nillable="true" type="xs:string"/>
    <xs:element minOccurs="0" name="DocTitle" nillable="true" type="xs:string"/>
    <xs:element minOccurs="0" name="Sentence" nillable="true" type="xs:string"/>
    <xs:element minOccurs="0" name="TermLength" type="xs:int"/>
    <xs:element minOccurs="0" name="TermOffset" type="xs:int"/>
  </xs:sequence>
</xs:complexType>
```

DocHref: The URL of a document that contains the extracted definition. The URL MUST be in the format specified in [\[RFC1738\]](#). This element MUST NOT contain more than 2000 characters.

DocTitle: The title of the document that is referenced by **DocHref**. This element MUST NOT contain more than 2000 characters.

Sentence: The sentence in the document referenced by **DocHref** that has the extracted definition. This element MUST NOT contain more than 255 characters.

TermLength: This is the number of characters in the search query text. This MUST be a non-negative number.

TermOffset: This is the zero based offset of the search query text in the sentence contained in the **Sentence** element. This MUST be a non-negative number. This value MUST be less than the length of the sentence contained in the **Sentence** element.

3.1.4.1.3.4 KeywordInformation

Namespace: <http://www.microsoft.com/sharepoint/search/KnownTypes/2008/08>

This type specifies zero or more tokens and their associated user authored definitions that are stored in the protocol server.

```
<xs:complexType name="KeywordInformation" xmlns:xs="http://www.w3.org/2001/XMLSchema">
  <xs:sequence>
    <xs:element minOccurs="0" name="Definition" nillable="true" type="xs:string"/>
    <xs:element minOccurs="0" name="Keyword" nillable="true" type="xs:string"/>
  </xs:sequence>
</xs:complexType>
```

Definition: The definitions of the tokens specified in the **Keyword** element, separated by semicolons. If the value of the **Keyword** element is empty, the value of this element MUST also be empty.

Keyword: The extracted tokens from the search query, separated by semicolons, which have associated definitions stored in the protocol server.

3.1.4.1.3.5 ArrayOfKeyValueOfResultTypeResultTableUTLV0zE5

Namespace: <http://schemas.microsoft.com/2003/10/Serialization/Arrays>

This element contains a list of zero or more pairs of **Key** and **Value** elements. Each pair represents a set of **query results** of a specific type. See section [3.1.4.1.3.6](#) for the available types of query results.

```
<xs:complexType name="ArrayOfKeyValueOfResultTypeResultTableUTLV0zE5"
  xmlns:xs="http://www.w3.org/2001/XMLSchema">
  <xs:sequence>
    <xs:element minOccurs="0" maxOccurs="unbounded"
      name="KeyValueOfResultTypeResultTableUTLV0zE5">
      <xs:complexType>
        <xs:sequence>
          <xs:element
            xmlns:tns5="http://schemas.datacontract.org/2004/07/Microsoft.Office.Server.Search.Query"
            name="Key" type="tns5:ResultType"/>
          <xs:element
            xmlns:q2="http://www.microsoft.com/sharepoint/search/KnownTypes/2008/08" name="Value"
            nillable="true" type="q2:ResultTable"/>
        </xs:sequence>
      </xs:complexType>
    </xs:element>
  </xs:sequence>
</xs:complexType>
```

KeyValueOfResultTypeResultTableUTLV0zE5: This contains the pairs that represent sets of query results of a specific type.

KeyValueOfResultTypeResultTableUTLV0zE5.Key: The type of the query results present in the **Value** element. MUST be of **ResultType** simple type as specified in section [2.2.5.5](#).

KeyValueOfResultTypeResultTableUTLV0zE5.Value: The set of query results of the type specified in the **Key** element. MUST be of the **ResultTable** complex type as specified in section [3.1.4.1.3.6](#).

3.1.4.1.3.6 ResultTable

Namespace: http://www.microsoft.com/sharepoint/search/KnownTypes/2008/08

This contains a list of **query results**, all of which are of the type specified in **TableType**. The format of the **Table** element depends on the type of query results. The different types of query results are specified in section [2.2.5.5](#).

```
<xs:complexType name="ResultTable" xmlns:xs="http://www.w3.org/2001/XMLSchema">
  <xs:sequence>
    <xs:element minOccurs="0" name="IsTotalRowsExact" type="xs:boolean"/>
    <xs:element
      xmlns:tns5="http://schemas.datacontract.org/2004/07/Microsoft.Office.Server.Search.Query"
      minOccurs="0" name="ResultType" type="tns5:ResultType"/>
    <xs:element minOccurs="0" name="RowCount" type="xs:int"/>
    <xs:element minOccurs="0" name="Table" nillable="true">
      <xs:complexType>
        <xs:sequence>
          <xs:any minOccurs="0" maxOccurs="unbounded"
            namespace="http://www.w3.org/2001/XMLSchema" processContents="lax"/>
          <xs:any minOccurs="1" namespace="urn:schemas-microsoft-com:xml-diffgram-v1"
            processContents="lax"/>
        </xs:sequence>
      </xs:complexType>
    </xs:element>
    <xs:element minOccurs="0" name="TimeZoneID" type="xs:int"/>
    <xs:element minOccurs="0" name="TotalRows" type="xs:int"/>
    <xs:element minOccurs="0" name="TotalRowsIncludingDuplicates" type="xs:int"/>
    <xs:element xmlns:q3="http://schemas.microsoft.com/2003/10/Serialization/Arrays"
      minOccurs="0" name="Properties" nillable="true" type="q3:ArrayOfKeyValueOfstringanyType"/>
  </xs:sequence>
</xs:complexType>
```

IsTotalRowsExact: This MUST be "true" if the number given in **TotalRows** is an exact number, rather than an approximation, and "false" otherwise.

ResultType: The type of query results returned in the **Table** element.

RowCount: The number of query results contained in the **Table** element.

Table: This contains a table of query results. The information MUST be encoded as an ADO.NET DataTable object using the DiffGram format. This format is specified in [\[MS-DSDIFFGRAM\]](#). This element MUST contain one of the following types of tables.

Type	Description
RelevantResults Table	The RelevantResults table contains the actual query results. It MUST only be present if the ResultTypes element in the properties element of the Execute message contains ResultType.RelevantResults , as specified in section 2.2.5.5. The table MUST have one column per requested property that is specified in KeywordQueryProperties.SelectProperties , as specified in , or SELECT statement of the SharePoint Search SQL syntax as specified in [MS-SEARCH] section 2.2.12.3 and 2.2.13.3. It MUST have one row per search result. In any given row, the values in the columns MUST represent the value that the corresponding property has for that item. The type of the column MUST be the type of the managed property, as specified in ManagedPropertyInformation.Type in section 3.1.1.3 .
SpecialTermResults Table	The SpecialTermResults table contains best bets that apply to the search query. It MUST only be present if the ResultTypes element in the properties element of the Execute operation contains ResultType.SpecialTermResults , as specified in section 2.2.5.5. It MUST have one row per best bet, and it MUST have the columns <i>Title</i> , <i>Url</i> and <i>Description</i> . The columns MUST contain,

Type	Description
	respectively, the title of the best bet, the URL that the best bet links to, and a human-readable description of the best bet. All of these columns are of the string type.
HighConfidenceResults Table	The HighConfidenceResults table contains high confidence results that apply to the search query. It MUST only be present if the ResultTypes element in the properties element of the Execute operation contains ResultType.HighConfidenceResults (as specified in section 2.2.5.5) and ResultsProvider element in the properties element of the Execute operation is not SearchServer.FASTSearch . It MUST have one row per high confidence result, and it MUST have the following columns - Title, Url, Description, HighConfidenceImageUrl, HighConfidenceDisplayProperty1, HighConfidenceDisplayProperty2, HighConfidenceDisplayProperty3, HighConfidenceDisplayProperty4, HighConfidenceDisplayProperty5, HighConfidenceDisplayProperty6, HighConfidenceDisplayProperty7, HighConfidenceDisplayProperty8, HighConfidenceDisplayProperty9, HighConfidenceDisplayProperty10, HighConfidenceDisplayProperty11, HighConfidenceDisplayProperty12, HighConfidenceDisplayProperty13, HighConfidenceDisplayProperty14, HighConfidenceDisplayProperty15, HighConfidenceType. All of these columns are of string type. The <i>Title</i> column MUST contain the title of the high confidence result. This column MUST NOT be empty. The <i>URL</i> column MUST contain a valid URL that points to the high confidence result. This column MUST NOT be empty. The <i>Description</i> column SHOULD contain a description of the high confidence result. The <i>HighConfidenceImageUrl</i> column SHOULD contain the URL of a picture that represents the high confidence result. The <i>HighConfidenceType</i> column MUST contain the type of the high confidence result. It MUST NOT be empty. The possible value for this column is defined by the search administrator. The use of all other columns is at the discretion of the search administrator.
VisualBestBetsResults Table	The VisualBestBetsResults table contains visual best bets that apply to the search query. It MUST only be present if the ResultTypes element in the properties element of the Execute operation contains ResultType.VisualBestBetsResults (as specified in section 2.2.5.5) and ResultsProvider element in the properties element of the Execute operation is not SearchServer.SharepointSearch . It MUST have one row per visual best bet, and it MUST have the columns <i>Name</i> , <i>Uri</i> , <i>Description</i> , <i>Keyword</i> , <i>Teaser</i> , <i>TeaserContentType</i> . The columns MUST contain, respectively, the name of the visual best bet, the URL that the visual best bet links to, a human-readable description of the visual best bet, the keyword term for the visual best bet, a short summary to be displayed, and the content type of the summary. All of these columns are of string type.
RefinementResults Table	The RefinementResults table contains refinement results that apply to the search query. It MUST only be present if the ResultTypes element in the properties element of the Execute operation contains ResultType.RefinementResults (as specified in section 2.2.5.5) and ResultsProvider element in the properties element of the Execute operation is not SearchServer.SharepointSearch . It MUST have one row per refinement , and it MUST have the columns <i>RefinerName</i> , <i>RefinementName</i> , <i>RefinementValue</i> , <i>RefinementCount</i> and <i>RefinementToken</i> . The columns MUST contain, respectively, the name of the refined managed property, the display name of the refinement, the value of the refinement bucket, the result count for this refinement, and the token used to apply the refinement through a new query. All of these columns are of string type, except <i>RefinementCount</i> which is of type integer.

The table of each type SHOULD contain column *piSearchResultId*, which contains information about a particular search result for query logging. This information SHOULD be sent to **RecordPageClick** method as a *clickedResultId* parameter of the **RecordPageClick** method of **SearchExecutor** ([\[MS-SRCHCSOM\]](#) section 3.1.5.18). If this column doesn't exist or is an empty string, then the client MUST NOT call **RecordPageClick**. The information is represented as a set of integer values encoded in a

string in the following format: BlockType_ResultPosition_ImmediacyInformation_ClickType. These fields MUST BE parsed and set to the appropriate properties when RecordPageClick is called (section [3.1.4.16](#)). If ImmediacyInformation equals to 1 then QueryLogImmediacyInfo (section [3.1.4.16.3.2](#)) MUST BE set and passed to RecordPageClick, otherwise a NULL value MUST BE passed.

TimeZoneID: Contains the local time zone identifier, which represents the local time zone of the website that processes the search query. The protocol server MUST return local time identifier according to the specified time zone.

TotalRows: This element MUST contain the total number of results that match the conditions given in the search query and are of the type specified in the **ResultType** element.

TotalRowsIncludingDuplicates: This element SHOULD contain the total number of results, including duplicates, that match the conditions given in the search query and are of the type specified in the **ResultType** element [<60>](#).

Properties: Specifies a property bag of key value pairs. MUST be of **ArrayOfKeyValueOfstringanyType** data type as specified section in section [2.2.4.18](#) SHOULD contain the following properties:

- **Order:** Reserved for future use.
- **ResultTitle:** Specifies the title associated with results for the transformed query by **query rule** action. MUST NOT be more than 64 characters in length.
- **ResultTitleUrl:** Specifies the URL to be linked to the **ResultTitle**. MUST NOT be more than 2048 characters in length.
- **GroupTemplateId:** Specifies the identifier of the layout template that specifies how the results returned will be arranged.
- **ItemTemplateId:** Specifies the identifier of the layout template that specifies how the result item will be displayed.
- **QueryRuleId:** Specifies the unique identifier of the query rule that produced the result set. MUST be {00000000-0000-0000-0000-000000000000} if the result set is not associated to a query rule.
- **Error:** Specifies the details of the exception if any that occurred on the protocol server while processing the search query. The value of this field is specific to the implementation of the protocol client.
- **TableType:** Specifies the type of results in the **Table** element. MUST NOT be NULL.
- **QueryId:** Specifies the identifier for the search query. MUST be the same value as specified by the protocol client in **properties.Properties.Id** if **QueryRuleId** is set to {00000000-0000-0000-0000-000000000000}. Otherwise, MUST be the value specified in **QueryRuleId**.
- **piPageImpressionBlockType:** Specifies the identifier of a result block inside query logging page impression corresponding to the ResultTable. It is represented in a byte format and MUST BE sent to RecordPageClick method of SearchExecutor to record a user click ([MS-SRCHCSOM] section 3.1.5.18). If this property doesn't exist or is an empty string then RecordPageClick MUST NOT be called.

3.1.4.1.3.7 ArrayOfKeyValuePairOfstringResultTable_PFsic3Az

Namespace: <http://schemas.datacontract.org/2004/07/System.Collections.Generic>

This element [<61>](#) contains a list of zero or more pairs of **Key** and **Value** elements. Each pair represents a set of **query results** of a specific type. See section [3.1.4.1.3.6](#) for the available types of query results.

```

<xs:complexType name="ArrayOfKeyValuePairOfstringResultTable PFsic3Az"
xmlns:xs="http://www.w3.org/2001/XMLSchema">
  <xs:sequence>
    <xs:element minOccurs="0" maxOccurs="unbounded"
name="KeyValuePairOfstringResultTable_PFsic3Az"
type="tns7:KeyValuePairOfstringResultTable PFsic3Az"/>
  </xs:sequence>
</xs:complexType>

```

KeyValuePairOfstringResultTable_PFsic3Az: Specifies a list of zero or more pairs that represent sets of query results of specific type. MUST be of **KeyValuePairOfstringResultTable_PFsic3Az** as specified in section [3.1.4.1.3.8](#).

3.1.4.1.3.8 KeyValuePairOfstringResultTable_PFsic3Az

Namespace: http://schemas.datacontract.org/2004/07/System.Collections.Generic

This type [62](#) contains pairs that represent set of **query results** of a specific type.

```

<xs:complexType name="KeyValuePairOfstringResultTable_PFsic3Az"
xmlns:xs="http://www.w3.org/2001/XMLSchema">
  <xs:sequence>
    <xs:element name="key" nillable="true" type="xs:string"/>
    <xs:element xmlns:q2="http://www.microsoft.com/sharepoint/search/KnownTypes/2008/08"
name="value" nillable="true" type="q2:ResultTable"/>
  </xs:sequence>
</xs:complexType>

```

key: The type of the query results present in the **value** element.

value: The set of the query results of the type specified in the **key** element. MUST be of the **ResultTable** data type as specified in section [3.1.4.1.3.6](#).

3.1.4.1.3.9 ArrayOfKeyValueOfstringSearchServiceApplicationFaulty6h3NzC8

Namespace: http://schemas.microsoft.com/2003/10/Serialization/Arrays

This type contains a list of zero or more pairs of **Key** and **Value** elements. Each pair consists of a **QueryId** and the **SearchServiceApplicationFault** (specified in section [3.1.4.1.3.10](#)) encountered by the **search query** identified by the **QueryId**.

```

<xs:complexType name="ArrayOfKeyValueOfstringSearchServiceApplicationFaulty6h3NzC8"
xmlns:xs="http://www.w3.org/2001/XMLSchema">
  <xs:sequence>
    <xs:element minOccurs="0" maxOccurs="unbounded"
name="KeyValueOfstringSearchServiceApplicationFaulty6h3NzC8">
      <xs:complexType>
        <xs:sequence>
          <xs:element name="Key" nillable="true" type="xs:string"/>
          <xs:element
xmlns:q1="http://schemas.datacontract.org/2004/07/Microsoft.Office.Server.Search.Administrati
on" name="Value" nillable="true" type="q1:SearchServiceApplicationFault"/>
        </xs:sequence>
      </xs:complexType>
    </xs:element>
  </xs:sequence>
</xs:complexType>

```

KeyValueOfstringSearchServiceApplicationFaulty6h3NzC8: A pair of **Key** and **Value** elements consisting of a **QueryId** and the **SearchServiceApplicationFault** (specified in section [3.1.4.1.3.10](#))

encountered by the search query identified by the **QueryId**. If the error was encountered while producing a result set for a **query rule**, the **QueryId** MUST be the unique identifier of the query rule, otherwise it MUST be the same value as the **Id** element of **QueryProperties** specified in section [2.2.4.11](#).

KeyValueOfstringSearchServiceApplicationFaulty6h3NzC8.Key: The **QueryId** as specified in section [3.1.4.1.3.6](#) of the search query that encounters the **SearchServiceApplicationFault** in **KeyValueOfstringSearchServiceApplicationFaulty6h3NzC8.Value**.

KeyValueOfstringSearchServiceApplicationFaulty6h3NzC8.Value: The **SearchServiceApplicationFault** as specified in section 3.1.4.1.3.10 encountered by the search query identified by the **QueryId** in **KeyValueOfstringSearchServiceApplicationFaulty6h3NzC8.Key**.

3.1.4.1.3.10 SearchServiceApplicationFault

Namespace: <http://schemas.datacontract.org/2004/07/Microsoft.Office.Server.Search.Administration>

The **SearchServiceApplicationFault** complex type represents the error detail of a SOAP fault generated by an operation.

```
<xs:complexType name="SearchServiceApplicationFault"
xmlns:xs="http://www.w3.org/2001/XMLSchema">
  <xs:sequence>
    <xs:element minOccurs="0" name="ErrorCode" type="xs:int"/>
    <xs:element xmlns:q2="http://www.microsoft.com/sharepoint/search/KnownTypes/2008/08"
minOccurs="0" name="FaultType" type="q2:SearchServiceApplicationFaultType"/>
    <xs:element minOccurs="0" name="Message" nillable="true" type="xs:string"/>
  </xs:sequence>
</xs:complexType>
```

ErrorCode: The ErrorCode field contains the detailed information about the error encountered by the server when processing the execute request from the client.

FaultType: Type, as specified in section [3.1.4.1.4.1](#)

Message: Message of the fault.

3.1.4.1.4 Simple Types

The following table summarizes the **XML schema** simple type definitions that are specific to this operation.

Simple type	Description
SearchServiceApplicationFaultType	Represents the type of failure for a SearchServiceApplicationFault as specified by section 3.1.4.1.3.10 .

3.1.4.1.4.1 SearchServiceApplicationFaultType

Namespace: <http://www.microsoft.com/sharepoint/search/KnownTypes/2008/08>

The **SearchServiceApplicationFaultType** simple type represents the type of failure for a **SearchServiceApplicationFault** as specified by section [3.1.4.1.3.10](#).

```

<xs:simpleType name="SearchServiceApplicationFaultType"
xmlns:xs="http://www.w3.org/2001/XMLSchema">

  <xs:restriction base="xs:string">
    <xs:enumeration value="SpecialTerm NotFound"/>
    <xs:enumeration value="SpecialTerm DuplicateError"/>
    <xs:enumeration value="Synonym_NotFound"/>
    <xs:enumeration value="BestBet_NotFound"/>
    <xs:enumeration value="BestBet OrderDuplicationError"/>
    <xs:enumeration value="AllNoiseQuery"/>
    <xs:enumeration value="SearchServiceNotFound"/>
    <xs:enumeration value="QueryMalformed"/>
    <xs:enumeration value="ScopeNotFound"/>
    <xs:enumeration value="InvalidProperty"/>
    <xs:enumeration value="OnlyExcludedTerms"/>
    <xs:enumeration value="RankingModelNotFound"/>
    <xs:enumeration value="UnsupportedTopology"/>
    <xs:enumeration value="FASTSearchQuery"/>
    <xs:enumeration value="Timeout"/>
    <xs:enumeration value="ExtendedConnectorApplicaion"/>
    <xs:enumeration value="PartitionOptionsMismatch"/>
    <xs:enumeration value="TooComplexQueryException"/>
    <xs:enumeration value="QueryThrottled"/>
    <xs:enumeration value="InternalError"/>
    <xs:enumeration value="QueryTransformInvalidProperty"/>
    <xs:enumeration value="QueryConfigurationImportException"/>
    <xs:enumeration value="ApplicationSpecific"/>
    <xs:enumeration value="DiscoveryFederatedSourceNotFound"/>
    <xs:enumeration value="RemoteSharepointSourceFault"/>
    <xs:enumeration value="TenantSiteCollectionMismatchException"/>
    <xs:enumeration value="InvalidNameException"/>
    <xs:enumeration value="InvalidPropertyTypeException"/>
    <xs:enumeration value="CouldNotModifySchemaException"/>
    <xs:enumeration value="InvalidMappingException"/>
    <xs:enumeration value="ObjectNotFoundException"/>
    <xs:enumeration value="PropertyIsReadOnlyException"/>
    <xs:enumeration value="PropertyCannotHaveMappingsException"/>
    <xs:enumeration value="InvalidManagedPropertyValue"/>
    <xs:enumeration value="ArgumentNullException"/>
    <xs:enumeration value="UnauthorizedAccessException"/>
    <xs:enumeration value="DatabaseException"/>
    <xs:enumeration value="SchemaExportException"/>
    <xs:enumeration value="SchemaImportException"/>
    <xs:enumeration value="NotSupported"/>
    <xs:enumeration value="QueryPropertyOutOfRange"/>
  </xs:restriction>
</xs:simpleType>

```

The following table specifies the allowable values for the **SearchServiceApplicationFaultType** simple type.

Value	Meaning
SpecialTerm_NotFound	The specified keyword was not found on the protocol server.
SpecialTerm_DuplicateError	The query text specified cannot be used, because it is already a keyword or keyword synonym.
Synonym_NotFound	The specified keyword synonym was not found on the protocol server.
BestBet_NotFound	The specified best bet was not found on the protocol server.
BestBet_OrderDuplicationError	The best bet cannot be added to the keyword because there is already a best bet at the specified position.

Value	Meaning
AllNoiseQuery	Cannot complete the search query because it is composed entirely of noise words .
SearchServiceNotFound	The protocol server was unable to connect to the search service application .
QueryMalformed	Cannot complete the search query because its syntax is invalid.
ScopeNotFound	The specified search scope was not found on the protocol server.
InvalidProperty	Cannot complete the search query because it uses an invalid managed property .
OnlyExcludedTerms	Cannot complete the search query because it is composed entirely of noise words.
RankingModelNotFound	Cannot complete the search query because the ranking model does not exist.
UnsupportedTopology	Cannot complete the search query because the farm uses a topology unsupported by its version of the protocol server software.
FASTSearchQuery	Cannot complete the search query from the FAST search provider .
Timeout	Cannot complete the search query because the query took too long to be processed by the protocol server.
ExtendedConnectorApplication	Cannot complete the search query because the extended search application cannot process queries. An extended search service application is specific for FAST search provider and is used only in crawling and not for query processing.
PartitionOptionsMismatch	Cannot complete the search query because the partition options of the search service application do not match options of the search service application proxy.
TooComplexQueryException	Cannot complete the search query because there are too many results for it.
QueryThrottled	Cannot complete the search query because the protocol server was overloaded.
InternalError	Cannot complete the search query because there was an error on the protocol server
QueryTransformInvalidProperty	Cannot complete the search query because the query transform has invalid property.
QueryConfigurationImportException	The query configuration settings cannot be imported because of an error on the protocol server.
ApplicationSpecific	Reserved for future use.
DiscoveryFederatedSourceNotFound	The protocol server was unable to locate an exchange result source.
RemoteSharepointSourceFault	Cannot complete the search query because the remote SharePoint search provider had an error.
TenantSiteCollectionMismatchException	The schema is found with an inconsistent tenant/site collection pair.
InvalidNameException	The given category, crawled property, or managed property is invalid.
InvalidPropertyTypeException	The given managed property type is invalid.

Value	Meaning
CouldNotModifySchemaException	There was an error modifying a schema.
InvalidMappingException	An invalid mapping was found.
ObjectNotFoundException	An object (category, crawled property, or managed property) could not be found.
PropertyIsReadOnlyException	The managed property is read only and cannot be modified.
PropertyCannotHaveMappingsException	A managed property cannot have mappings, and the protocol server thus cannot add, delete, or modify mappings.
InvalidManagedPropertyValue	A managed property is given an invalid value.
ArgumentNullException	A NULL value was unexpectedly given.
UnauthorizedAccessException	The client does not have sufficient access to this operation.
DatabaseException	A database related error occurred.
SchemaExportException	The given schema cannot be exported.
SchemaImportException	The given schema cannot be imported.
NotSupported	The protocol server was unable to perform the action as it is not supported.
QueryPropertyOutOfRange	Cannot complete the search query because one of the query properties as specified in section 2.2.4.11 had a value outside the acceptable range.

3.1.4.1.5 Attributes

None.

3.1.4.1.6 Groups

None.

3.1.4.1.7 Attribute Groups

None.

3.1.4.2 GetClickFrequenciesForUrl

This operation is used to retrieve the click frequencies of a given URI for the past week and the past month from a given reference date.

The following is the **WSDL** port type specification of the **GetClickFrequenciesForUrl WSDL operation**.

```
<wsdl:operation name="GetClickFrequenciesForUrl"
xmlns:wsdl="http://schemas.xmlsoap.org/wsdl/">
  <wsdl:input
wsaw:Action="http://tempuri.org/ISearchQueryServiceApplication/GetClickFrequenciesForUrl"
message="tns:ISearchQueryServiceApplication_GetClickFrequenciesForUrl_InputMessage"
xmlns:wsaw="http://www.w3.org/2006/05/addressing/wsdl"/>
```

```

<wsdl:output
wsaw:Action="http://tempuri.org/ISearchQueryServiceApplication/GetClickFrequenciesForUrlResponse" message="tns:ISearchQueryServiceApplication_GetClickFrequenciesForUrl_OutputMessage"
xmlns:wsaw="http://www.w3.org/2006/05/addressing/wsdl"/>
<wsdl:fault
wsaw:Action="http://tempuri.org/ISearchQueryServiceApplication/GetClickFrequenciesForUrlSearchServiceApplicationFaultFault" name="SearchServiceApplicationFaultFault"
message="tns:ISearchQueryServiceApplication_GetClickFrequenciesForUrl_SearchServiceApplicationFaultFault_FaultMessage" xmlns:wsaw="http://www.w3.org/2006/05/addressing/wsdl"/>
</wsdl:operation>

```

The protocol client sends an **ISearchQueryServiceApplication_GetClickFrequenciesForUrl_InputMessage** request message, as specified in section 3.1.4.2.1.1, and the protocol server responds with an **ISearchQueryServiceApplication_GetClickFrequenciesForUrl_OutputMessage** response message, as specified in section 3.1.4.2.1.2, as follows:

- On receipt, the protocol server checks the value of **url**. If the **url** element is absent, empty or contains more than 1024 characters, the protocol server MUST return a **FaultException<ExceptionDetail>** message to the protocol client.
- On success, the protocol server returns the numbers specifying the click frequencies of **url** to the protocol client.
- On error, the protocol server MUST return a **FaultException<ExceptionDetail>** message to the protocol client.

3.1.4.2.1 Messages

The following table summarizes the set of **WSDL message** definitions that are specific to this operation.

Message	Description
ISearchQueryServiceApplication_GetClickFrequenciesForUrl_InputMessage	The request WSDL message for the GetClickFrequenciesForUrl WSDL operation .
ISearchQueryServiceApplication_GetClickFrequenciesForUrl_OutputMessage	The response WSDL message for the GetClickFrequenciesForUrl WSDL operation .

3.1.4.2.1.1 ISearchQueryServiceApplication_GetClickFrequenciesForUrl_InputMessage

The request **WSDL message** for the **GetClickFrequenciesForUrl WSDL operation**.

The **SOAP action** value is:

```
http://tempuri.org/ISearchQueryServiceApplication/GetClickFrequenciesForUrl
```

The **SOAP body** contains the **GetClickFrequenciesForUrl** element.

3.1.4.2.1.2 ISearchQueryServiceApplication_GetClickFrequenciesForUrl_OutputMessage

The response **WSDL message** for the **GetClickFrequenciesForUrl WSDL operation**.

The **SOAP body** contains the **GetClickFrequenciesForUrlResponse** element.

3.1.4.2.2 Elements

The following table summarizes the **XML schema** element definitions that are specific to this operation.

Element	Description
GetClickFrequenciesForUrl	The input data for the GetClickFrequenciesForUrl WSDL operation .
GetClickFrequenciesForUrlResponse	The result data for the GetClickFrequenciesForUrl WSDL operation .

3.1.4.2.2.1 GetClickFrequenciesForUrl

The **GetClickFrequenciesForUrl** element specifies the input data for the **GetClickFrequenciesForUrl WSDL operation**.

```
<xs:element name="GetClickFrequenciesForUrl" xmlns:xs="http://www.w3.org/2001/XMLSchema">
  <xs:complexType>
    <xs:sequence>
      <xs:element minOccurs="0" name="url" nillable="true" type="xs:string"/>
      <xs:element minOccurs="0" name="referenceDate" type="xs:dateTime"/>
    </xs:sequence>
  </xs:complexType>
</xs:element>
```

url: Specifies the URI of which the click frequencies MUST be returned. The value MUST have the valid URI format, as specified in [RFC2396](#).

referenceDate: Specifies the date from which the past 7 days (week) and past 30 days (month) of click frequencies are calculated.

3.1.4.2.2.2 GetClickFrequenciesForUrlResponse

The **GetClickFrequenciesForUrlResponse** element specifies the result data for the **GetClickFrequenciesForUrl WSDL operation**.

```
<xs:element name="GetClickFrequenciesForUrlResponse"
  xmlns:xs="http://www.w3.org/2001/XMLSchema">
  <xs:complexType>
    <xs:sequence>
      <xs:element xmlns:q3="http://schemas.microsoft.com/2003/10/Serialization/Arrays"
        minOccurs="0" name="GetClickFrequenciesForUrlResult" nillable="true" type="q3:ArrayOfint"/>
    </xs:sequence>
  </xs:complexType>
</xs:element>
```

GetClickFrequenciesForUrlResult: Specifies the click frequencies of **url** for the past week (7 days) and past month (30 days) from a given reference date.

3.1.4.2.3 Complex Types

None.

3.1.4.2.4 Simple Types

None.

3.1.4.2.5 Attributes

None.

3.1.4.2.6 Groups

None.

3.1.4.2.7 Attribute Groups

None.

3.1.4.3 GetProperties

This operation is used by the protocol client to retrieve information about all the **managed properties** defined in the protocol server.

The following is the **WSDL** port type specification of the **GetProperties WSDL operation**.

```
<wsdl:operation name="GetProperties" xmlns:wsdl="http://schemas.xmlsoap.org/wsdl/">
  <wsdl:input wsaw>Action="http://tempuri.org/ISearchQueryServiceApplication/GetProperties"
  message="tns:ISearchQueryServiceApplication_GetProperties_InputMessage"
  xmlns:wsaw="http://www.w3.org/2006/05/addressing/wsdl"/>
  <wsdl:output
  wsaw>Action="http://tempuri.org/ISearchQueryServiceApplication/GetPropertiesResponse"
  message="tns:ISearchQueryServiceApplication_GetProperties_OutputMessage"
  xmlns:wsaw="http://www.w3.org/2006/05/addressing/wsdl"/>
  <wsdl:fault
  wsaw>Action="http://tempuri.org/ISearchQueryServiceApplication/GetPropertiesSearchServiceApp
  licationFaultFault" name="SearchServiceApplicationFaultFault"
  message="tns:ISearchQueryServiceApplication_GetProperties_SearchServiceApplicationFaultFault_
  FaultMessage" xmlns:wsaw="http://www.w3.org/2006/05/addressing/wsdl"/>
</wsdl:operation>
```

The protocol client sends an **ISearchQueryServiceApplication_GetProperties_InputMessage** request message, as specified in section [3.1.4.3.1.1](#) and the protocol server responds with an **ISearchQueryServiceApplication_GetProperties_OutputMessage** response message, as specified in section [3.1.4.3.1.2](#), as follows:

- The **properties** element in the request message MUST conform to the schema of the **KeywordQueryProperties** data type as specified in section [3.1.4.7.3.1](#) or MUST conform to the schema of **FullTextSqlQueryProperties** data type as specified in section [2.2.4.7](#).
- On receipt, the protocol server MUST ignore the properties element in the request.
- The protocol server returns information about all the managed properties defined in the protocol server.
- On any error processing the request, the protocol server MUST return a **FaultException<ExceptionDetail>** error message.

3.1.4.3.1 Messages

The following table summarizes the set of **WSDL message** definitions that are specific to this operation.

Message	Description
ISearchQueryServiceApplication_GetProperties_InputMessage	The request WSDL message for the GetProperties WSDL operation .
ISearchQueryServiceApplication_GetProperties_OutputMessage	The response WSDL message for the GetProperties WSDL operation .

3.1.4.3.1.1 ISearchQueryServiceApplication_GetProperties_InputMessage

The request **WSDL message** for the **GetProperties WSDL operation**.

The **SOAP action** value is:

```
http://tempuri.org/ISearchQueryServiceApplication/GetProperties
```

The **SOAP body** contains the **GetProperties** element.

3.1.4.3.1.2 ISearchQueryServiceApplication_GetProperties_OutputMessage

The response **WSDL message** for the **GetProperties WSDL operation**.

The **SOAP body** contains the **GetPropertiesResponse** element.

3.1.4.3.2 Elements

The following table summarizes the **XML schema** element definitions that are specific to this operation.

Element	Description
GetProperties	The input data for the GetProperties WSDL operation .
GetPropertiesResponse	The result data for the GetProperties WSDL operation .

3.1.4.3.2.1 GetProperties

The **GetProperties** element specifies the input data for the **GetProperties WSDL operation**.

```
<xs:element name="GetProperties" xmlns:xs="http://www.w3.org/2001/XMLSchema">
  <xs:complexType>
    <xs:sequence>
      <xs:element xmlns:q2="http://www.microsoft.com/sharepoint/search/KnownTypes/2008/08"
minOccurs="0" name="properties" nillable="true" type="q2:QueryProperties"/>
    </xs:sequence>
  </xs:complexType>
</xs:element>
```

properties: Specifies the properties configured in a search query. This element MUST NOT be empty. This element MUST conform to the schema of either the **KeywordQueryProperties** data type as specified in section [3.1.4.7.3.1](#) or the **FullTextSqlQueryProperties** data type as specified in section [2.2.4.7](#).

3.1.4.3.2.2 GetPropertiesResponse

The **GetPropertiesResponse** element specifies the result data for the **GetProperties WSDL operation**.

```
<xs:element name="GetPropertiesResponse" xmlns:xs="http://www.w3.org/2001/XMLSchema">
  <xs:complexType>
    <xs:sequence>
      <xs:element xmlns:q2="http://www.microsoft.com/sharepoint/search/KnownTypes/2008/08"
        minOccurs="0" name="GetPropertiesResult" nillable="true"
        type="q2:ArrayOfPropertyInformation"/>
    </xs:sequence>
  </xs:complexType>
</xs:element>
```

GetPropertiesResult: An ArrayOfPropertyInformation data type as specified in section [3.1.4.3.3.1](#). Each **PropertyInformation** child element MUST represent information about a **managed property** defined in the protocol server.

3.1.4.3.3 Complex Types

The following table summarizes the **XML schema** complex type definitions that are specific to this operation.

Complex type	Description
ArrayOfPropertyInformation	Contains information about a collection of managed properties
PropertyInformation	Each PropertyInformation child element MUST contain information about a managed property.

3.1.4.3.3.1 ArrayOfPropertyInformation

Namespace: <http://www.microsoft.com/sharepoint/search/KnownTypes/2008/08>

The **ArrayOfPropertyInformation** complex type contains information about a collection of **managed properties**.

```
<xs:complexType name="ArrayOfPropertyInformation"
  xmlns:xs="http://www.w3.org/2001/XMLSchema">
  <xs:sequence>
    <xs:element minOccurs="0" maxOccurs="unbounded" name="PropertyInformation"
      nillable="true" type="q2:PropertyInformation"/>
  </xs:sequence>
</xs:complexType>
```

PropertyInformation: Each **PropertyInformation** child element MUST contain information about a managed property. Each **PropertyInformation** element MUST be of **PropertyInformation** data type as specified in section [3.1.4.3.3.2](#).

3.1.4.3.3.2 PropertyInformation

Namespace: http://www.microsoft.com/sharepoint/search/KnownTypes/2008/08

The **PropertyInformation** complex type contains information about a **managed property**

```
<xs:complexType name="PropertyInformation" xmlns:xs="http://www.w3.org/2001/XMLSchema">
  <xs:sequence>
    <xs:element minOccurs="0" name="Description" nillable="true" type="xs:string"/>
    <xs:element minOccurs="0" name="FullTextQueryable" type="xs:boolean"/>
    <xs:element minOccurs="0" name="Name" nillable="true" type="xs:string"/>
    <xs:element minOccurs="0" name="Refinable" type="xs:boolean"/>
    <xs:element minOccurs="0" name="Retrievable" type="xs:boolean"/>
    <xs:element minOccurs="0" name="Sortable" type="xs:boolean"/>
    <xs:element minOccurs="0" name="m_TypeFullName" nillable="true" type="xs:string"/>
  </xs:sequence>
</xs:complexType>
```

Description: Specifies the description of the property.

FullTextQueryable: Specifies whether the managed property can be searched in a full-text search. A value of "true" specifies that the property is a full-text searchable managed property; a value of "false" specifies that the property is not a full-text searchable managed property.

Name: Specifies the name of the managed property.

Refinable: Specifies whether the managed property has a deep **refiner**. A value of "true" specifies that the property has a refiner; a value of "false" specifies that the property does not have a refiner. If **QueryProperties.ResultsProvider** is "SharepointSearch", the property MUST be "false".

Retrievable: Specifies if the managed property is a retrievable managed property. A value of "true" specifies that the property is a retrievable managed property; a value of "false" specifies that the property is not a retrievable managed property.

Sortable: Specifies whether the managed property can be used to sort search results ascending or descending. A value of "true" specifies that the property can be used for sorting; a value of "false" specifies that the property cannot be used for sorting. If **QueryProperties.ResultsProvider** is "SharepointSearch", the property MUST be "false".

m_TypeFullName: Specifies the type of the managed property. MUST be one of the following values:

- System.String
- System.Int64
- System.Double
- System.DateTime
- System.Boolean
- System.Byte

3.1.4.3.4 Simple Types

None.

3.1.4.3.5 Attributes

None.

3.1.4.3.6 Groups

None.

3.1.4.3.7 Attribute Groups

None.

3.1.4.4 GetQuerySuggestions

This operation is used to retrieve a list of query suggestions to match a **search query**. There are two types of query suggestions: **pre-query suggestions** and **post-query suggestions**. In pre-query suggestions, the last term in the search box **MUST** be matched by prefix. In post-query suggestions the last term **MUST** be matched exactly.

The following is the **WSDL** port type specification of the **GetQuerySuggestions WSDL operation**.

```
<wsdl:operation name="GetQuerySuggestions" xmlns:wsdl="http://schemas.xmlsoap.org/wsdl/">
  <wsdl:input
    wsaw:Action="http://tempuri.org/ISearchQueryServiceApplication/GetQuerySuggestions"
    message="tns:ISearchQueryServiceApplication_GetQuerySuggestions_InputMessage"
    xmlns:wsaw="http://www.w3.org/2006/05/addressing/wsdl"/>
  <wsdl:output
    wsaw:Action="http://tempuri.org/ISearchQueryServiceApplication/GetQuerySuggestionsResponse"
    message="tns:ISearchQueryServiceApplication_GetQuerySuggestions_OutputMessage"
    xmlns:wsaw="http://www.w3.org/2006/05/addressing/wsdl"/>
  <wsdl:fault
    wsaw:Action="http://tempuri.org/ISearchQueryServiceApplication/GetQuerySuggestionsSearchServiceApplicationFaultFault" name="SearchServiceApplicationFaultFault"
    message="tns:ISearchQueryServiceApplication_GetQuerySuggestions_SearchServiceApplicationFaultFault_FaultMessage" xmlns:wsaw="http://www.w3.org/2006/05/addressing/wsdl"/>
</wsdl:operation>
```

The protocol client sends an **ISearchQueryServiceApplication_GetQuerySuggestions_InputMessage request message**, as specified in section [3.1.4.4.1.1](#), and the protocol server responds with an **ISearchQueryServiceApplication_GetQuerySuggestions_OutputMessage response message**, as specified in section [3.1.4.4.1.2](#), as follows:

- On success, the protocol server returns a list of query suggestions.
- On error, the protocol server **MUST** send a **FaultException<ExceptionDetail>** message to the protocol client.

3.1.4.4.1 Messages

The following table summarizes the set of **WSDL message** definitions that are specific to this operation.

Message	Description
ISearchQueryServiceApplication_GetQuerySuggestions_InputMessage	The request WSDL message for the GetQuerySuggestions WSDL operation .
ISearchQueryServiceApplication_GetQuerySuggestions_OutputMessage	The response WSDL message for the GetQuerySuggestions WSDL operation .

3.1.4.4.1.1 ISearchQueryServiceApplication_GetQuerySuggestions_InputMessage

The request **WSDL message** for the **GetQuerySuggestions WSDL operation**.

The **SOAP action** value is:

```
http://tempuri.org/ISearchQueryServiceApplication/GetQuerySuggestions
```

The **SOAP body** contains the **GetQuerySuggestions** element.

3.1.4.4.1.2 ISearchQueryServiceApplication_GetQuerySuggestions_OutputMessage

The response **WSDL message** for the **GetQuerySuggestions WSDL operation**.

The **SOAP body** contains the **GetQuerySuggestionsResponse** element.

3.1.4.4.2 Elements

The following table summarizes the **XML schema** element definitions that are specific to this operation.

Element	Description
GetQuerySuggestions	The input data for the GetQuerySuggestions WSDL operation .
GetQuerySuggestionsResponse	The result data for the GetQuerySuggestions WSDL operation .

3.1.4.4.2.1 GetQuerySuggestions

The **GetQuerySuggestions** element specifies the input data for the **GetQuerySuggestions WSDL operation**.

```
<xs:element name="GetQuerySuggestions" xmlns:xs="http://www.w3.org/2001/XMLSchema">
  <xs:complexType>
    <xs:sequence>
      <xs:element xmlns:q2="http://www.microsoft.com/sharepoint/search/KnownTypes/2008/08"
        minOccurs="0" name="properties" nillable="true" type="q2:QueryProperties"/>
      <xs:element minOccurs="0" name="iNumberOfSuggestions" type="xs:int"/>
      <xs:element minOccurs="0" name="fPreQuerySuggestions" type="xs:boolean"/>
      <xs:element minOccurs="0" name="fHitHighlighting" type="xs:boolean"/>
      <xs:element minOccurs="0" name="fCapitalizeFirstLetters" type="xs:boolean"/>
    </xs:sequence>
  </xs:complexType>
</xs:element>
```

properties: The query properties of the **search query**. The value MUST be a **QueryProperties** data type, as specified in section [2.2.4.11](#).

iNumberOfSuggestions: The number of query suggestions to retrieve. The value MUST be a positive integer.

fPreQuerySuggestions: Specifies whether to retrieve **pre-query suggestions**. If "true", the protocol server MUST return pre-query suggestions. Otherwise, the protocol server MUST return **post-query suggestions**.

fHitHighlighting: Specifies whether protocol server MUST highlight the collection of query suggestions. If "true", the protocol server MUST surround the terms in the returned query suggestions that match terms in the specified query with **B** and **/B** HTML tags. Otherwise, the protocol server MUST NOT surround matching terms by any **HTML** tags.

fCapitalizeFirstLetters: Specifies whether to capitalize first letters in each term in query suggestions. A value of "true" indicates that the protocol server MUST capitalize terms. Otherwise, the protocol server MUST NOT capitalize terms.

3.1.4.4.2 GetQuerySuggestionsResponse

The **GetQuerySuggestionsResponse** element specifies the result data for the **GetQuerySuggestions** **WSDL operation**.

```
<xs:element name="GetQuerySuggestionsResponse" xmlns:xs="http://www.w3.org/2001/XMLSchema">
  <xs:complexType>
    <xs:sequence>
      <xs:element xmlns:q3="http://schemas.microsoft.com/2003/10/Serialization/Arrays"
        minOccurs="0" name="GetQuerySuggestionsResult" nillable="true" type="q3:ArrayOfanyType"/>
    </xs:sequence>
  </xs:complexType>
</xs:element>
```

GetQuerySuggestionsResult: Specifies a collection of query suggestions for the **search query** terms in the search box.

3.1.4.4.3 Complex Types

None.

3.1.4.4.4 Simple Types

None.

3.1.4.4.5 Attributes

None.

3.1.4.4.6 Groups

None.

3.1.4.4.7 Attribute Groups

None.

3.1.4.5 GetScopes

This operation is used by the protocol client to retrieve information about all the **search scopes** that are available on the protocol server for the specified **search scope consumer**.

The following is the **WSDL** port type specification of the **GetScopes** **WSDL operation**.

```
<wsdl:operation name="GetScopes" xmlns:wsdl="http://schemas.xmlsoap.org/wsdl/">
  <wsdl:input wsaw:Action="http://tempuri.org/ISearchQueryServiceApplication/GetScopes"
    message="tns:ISearchQueryServiceApplication GetScopes InputMessage"
    xmlns:wsaw="http://www.w3.org/2006/05/addressing/wsdl"/>
```

```

<wsdl:output
wsaw:Action="http://tempuri.org/ISearchQueryServiceApplication/GetScopesResponse"
message="tns:ISearchQueryServiceApplication_GetScopes_OutputMessage"
xmlns:wsaw="http://www.w3.org/2006/05/addressing/wsdl"/>
<wsdl:fault
wsaw:Action="http://tempuri.org/ISearchQueryServiceApplication/GetScopesSearchServiceApplicationFaultFault" name="SearchServiceApplicationFaultFault"
message="tns:ISearchQueryServiceApplication_GetScopes_SearchServiceApplicationFaultFault_FaultMessage" xmlns:wsaw="http://www.w3.org/2006/05/addressing/wsdl"/>
</wsdl:operation>

```

The protocol client sends an **ISearchQueryServiceApplication_GetScopes_InputMessage** request message, as specified in section [3.1.4.5.1.1](#) and the protocol server responds with an **ISearchQueryServiceApplication_GetScopes_OutputMessage** response message, as specified in section [3.1.4.5.1.2](#), as follows:

- The protocol client MUST place in the **properties** element the Identifier of the search scope consumer for which all the search scopes MUST be returned by the protocol server. The properties element MUST conform to the schema of **KeywordQueryProperties** data type as specified in section [3.1.4.7.3.1](#) or the schema of **FullTextSqlQueryProperties** data type as specified in section [2.2.4.7](#). The protocol client MUST specify the identifier of the search scope consumer in the **QueryProperties.SiteID** child element.
- On receipt the protocol server looks up the value of the **QueryProperties.SiteID** child element of the request message in the collection of consumers and return information about all the **shared search scopes** and **local search scopes** defined for the search scope consumer in the protocol server.
- If the **QueryProperties.SiteID** element is not present in the collection of search scope consumers or a value is not specified, then the protocol server MUST only return all the shared search scopes defined in the protocol server.
- The protocol server MUST return a **FaultException<ExceptionDetail>** error message in the following conditions
 - The identifier specified in the **QueryProperties.SiteID** child element does not match the identifier of any search scope consumer defined in the protocol server.
 - Any error in interpreting the request message.

3.1.4.5.1 Messages

The following table summarizes the set of **WSDL message** definitions that are specific to this operation.

Message	Description
ISearchQueryServiceApplication_GetScopes_InputMessage	The request WSDL message for the GetScopes WSDL operation .
ISearchQueryServiceApplication_GetScopes_OutputMessage	The response WSDL message for the GetScopes WSDL operation .

3.1.4.5.1.1 ISearchQueryServiceApplication_GetScopes_InputMessage

The request **WSDL message** for the **GetScopes WSDL operation**.

The **SOAP action** value is:

```
http://tempuri.org/ISearchQueryServiceApplication/GetScopes
```

The **SOAP body** contains the **GetScopes** element.

3.1.4.5.1.2 ISearchQueryServiceApplication_GetScopes_OutputMessage

The response **WSDL message** for the **GetScopes WSDL operation**.

The **SOAP body** contains the **GetScopesResponse** element.

3.1.4.5.2 Elements

The following table summarizes the **XML schema** element definitions that are specific to this operation.

Element	Description
GetScopes	The input data for the GetScopes WSDL operation .
GetScopesResponse	The result data for the GetScopes WSDL operation .

3.1.4.5.2.1 GetScopes

The **GetScopes** element specifies the input data for the **GetScopes WSDL operation**.

```
<xs:element name="GetScopes" xmlns:xs="http://www.w3.org/2001/XMLSchema">
  <xs:complexType>
    <xs:sequence>
      <xs:element xmlns:q2="http://www.microsoft.com/sharepoint/search/KnownTypes/2008/08"
        minOccurs="0" name="properties" nillable="true" type="q2:QueryProperties"/>
    </xs:sequence>
  </xs:complexType>
</xs:element>
```

properties: This element MUST NOT be empty. This element MUST conform to the schema of **KeywordQueryProperties** data type as specified in section [3.1.4.7.3.1](#) or the schema of **FullTextSqlQueryProperties** data type as specified in section [2.2.4.7](#). The protocol client MUST specify the identifier of the search scope consumer in the **QueryProperties.SiteID** child element. The value of **QueryProperties.SiteID** MUST be used by the protocol server to identify **local search scopes** that MUST be returned. If **QueryProperties.SiteID** is an empty GUID or not present then the protocol server MUST return zero local search scopes and all the shared search scopes.

3.1.4.5.2.2 GetScopesResponse

The **GetScopesResponse** element specifies the result data for the **GetScopes WSDL operation**.

```
<xs:element name="GetScopesResponse" xmlns:xs="http://www.w3.org/2001/XMLSchema">
  <xs:complexType>
    <xs:sequence>
      <xs:element xmlns:q2="http://www.microsoft.com/sharepoint/search/KnownTypes/2008/08"
        minOccurs="0" name="GetScopesResult" nillable="true" type="q2:ArrayOfScopeInformation"/>
    </xs:sequence>
  </xs:complexType>
```

</xs:element>

GetScopesResult: An **ArrayOfScopeInformation** data type as specified in section [3.1.4.5.3.1](#). Each **ScopeInformation** child element MUST represent information about a search scope. The protocol server MUST include all the **shared search scopes** and all the **local search scopes** for the specified consumer in the **GetScopesResult** element.

3.1.4.5.3 Complex Types

The following table summarizes the **XML schema** complex type definitions that are specific to this operation.

Complex type	Description
ArrayOfScopeInformation	Contains information about a collection of search scopes
ScopeInformation	Contains information about a single search scope

3.1.4.5.3.1 ArrayOfScopeInformation

Namespace: <http://www.microsoft.com/sharepoint/search/KnownTypes/2008/08>

The **ArrayOfScopeInformation** complex type contains information about a collection of **search scopes**.

```
<xs:complexType name="ArrayOfScopeInformation" xmlns:xs="http://www.w3.org/2001/XMLSchema">
  <xs:sequence>
    <xs:element minOccurs="0" maxOccurs="unbounded" name="ScopeInformation" nillable="true"
      type="q2:ScopeInformation"/>
  </xs:sequence>
</xs:complexType>
```

ScopeInformation: Each **ScopeInformation** child element MUST contain information about a search scope. Each **ScopeInformation** element MUST be a **ScopeInformation** data type as specified in Section [3.1.4.5.3.2](#).

3.1.4.5.3.2 ScopeInformation

Namespace: <http://www.microsoft.com/sharepoint/search/KnownTypes/2008/08>

The **ScopeInformation** complex type contains information about a **search scope**

```
<xs:complexType name="ScopeInformation" xmlns:xs="http://www.w3.org/2001/XMLSchema">
  <xs:sequence>
    <xs:element minOccurs="0" name="Description" nillable="true" type="xs:string"/>
    <xs:element minOccurs="0" name="Filter" nillable="true" type="xs:string"/>
    <xs:element minOccurs="0" name="ID" type="xs:int"/>
    <xs:element minOccurs="0" name="Name" nillable="true" type="xs:string"/>
  </xs:sequence>
  xmlns:q1="http://schemas.datacontract.org/2004/07/Microsoft.Office.Server.Search.Administrati
  on" minOccurs="0" name="State" type="q1:ScopeCompilationState"/>
</xs:complexType>
```

Description: Description of the search scope.

Filter: Filter of the search scope. The **Filter** element MUST either contain an expression in **FAST Query Language (FQL)** syntax as described in [MS-FQL2], the name of a searchable property, or both. The name of a searchable property MUST be prefixed with "fulltextindex=". If both are specified, the FAST Query Language expression MUST be specified first, followed by ",fulltextindex=" and the name of the property that can be searched in a full-text search. The filter of the scope MUST be ignored by the protocol server if **QueryProperties.ResultsProvider** (as specified in section 2.2.4.11) is **SearchProvider.SharepointSearch**.

ID: Specifies the unique identifier of the search scope.

Name: Specifies the name of the search scope.

State: Specifies the compilation state of the search scope. This element MUST be a **ScopeCompilationState** data type as specified in section 3.1.4.5.4.1.

3.1.4.5.4 Simple Types

The following table summarizes the **XML schema** simple type definitions that are specific to this operation.

Simple type	Description
ScopeCompilationState	Compilation state of the corresponding search scope

3.1.4.5.4.1 ScopeCompilationState

Namespace: http://schemas.datacontract.org/2004/07/Microsoft.Office.Server.Search.Administration

The **ScopeCompilationState** simple type contains information about the compilation state of a **search scope**.

```
<xs:simpleType name="ScopeCompilationState" xmlns:xs="http://www.w3.org/2001/XMLSchema">
  <xs:restriction base="xs:string">
    <xs:enumeration value="Empty"/>
    <xs:enumeration value="Invalid"/>
    <xs:enumeration value="QueryExpanded"/>
    <xs:enumeration value="NeedsCompile"/>
    <xs:enumeration value="Compiled"/>
    <xs:enumeration value="NeedsRecompile"/>
  </xs:restriction>
</xs:simpleType>
```

The following table specifies the allowable values for the **ScopeCompilationState** simple type.

Value	Meaning
Empty	The search scope is empty and there MUST be no search scope rules defined for the search scope.
Invalid	The search scope is invalid.
QueryExpanded	The search scope is expanded at query time. The search scope MUST have more than or equal to 1 and less than or equal to 25 search scope rules.
NeedsCompile	The search scope needs to be compiled for the first time.
Compiled	The search scope is compiled.

Value	Meaning
NeedsRecompile	The search scope needs to be recompiled.

3.1.4.5.5 Attributes

None.

3.1.4.5.6 Groups

None.

3.1.4.5.7 Attribute Groups

None.

3.1.4.6 GetSearchServiceApplicationInfo

This operation is used by the protocol client to get the properties configured for the **search application**.

The following is the **WSDL** port type specification of the **GetSearchServiceApplicationInfo WSDL operation**.

```
<wsdl:operation name="GetSearchServiceApplicationInfo"
xmlns:wsdl="http://schemas.xmlsoap.org/wsdl/">
  <wsdl:input
wsaw:Action="http://tempuri.org/ISearchQueryServiceApplication/GetSearchServiceApplicationInfo"
message="tns:ISearchQueryServiceApplication GetSearchServiceApplicationInfo InputMessage"
xmlns:wsaw="http://www.w3.org/2006/05/addressing/wsdl"/>
  <wsdl:output
wsaw:Action="http://tempuri.org/ISearchQueryServiceApplication/GetSearchServiceApplicationInfoResponse"
message="tns:ISearchQueryServiceApplication GetSearchServiceApplicationInfo OutputMessage"
xmlns:wsaw="http://www.w3.org/2006/05/addressing/wsdl"/>
  <wsdl:fault
wsaw:Action="http://tempuri.org/ISearchQueryServiceApplication/GetSearchServiceApplicationInfoSearchServiceApplicationFaultFault"
name="SearchServiceApplicationFaultFault"
message="tns:ISearchQueryServiceApplication_GetSearchServiceApplicationInfo_SearchServiceApplicationFaultFault FaultMessage"
xmlns:wsaw="http://www.w3.org/2006/05/addressing/wsdl"/>
</wsdl:operation>
```

The protocol client sends an

ISearchQueryServiceApplication_getSearchServiceApplicationInfo_InputMessage request message, as specified in section [3.1.4.6.1.1](#), and the protocol server responds with an **ISearchQueryServiceApplication_getSearchServiceApplicationInfo_OutputMessage** response message, as specified in section [3.1.4.6.1.2](#), as follows:

- On receipt, the protocol server returns properties configured by the protocol server for the search application.
- On error, the protocol server MUST send a **FaultException<ExceptionDetail>** message to the protocol client.

3.1.4.6.1 Messages

The following table summarizes the set of **WSDL message** definitions that are specific to this operation.

Message	Description
ISearchQueryServiceApplication_GetSearchServiceApplicationInfo_InputMessage	The request WSDL message for the GetSearchServiceApplicationInfo WSDL operation .
ISearchQueryServiceApplication_GetSearchServiceApplicationInfo_OutputMessage	The response WSDL message for the GetSearchServiceApplicationInfo WSDL operation .

3.1.4.6.1.1 ISearchQueryServiceApplication_GetSearchServiceApplicationInfo_Input Message

The request **WSDL message** for the **GetSearchServiceApplicationInfo WSDL operation**.

The **SOAP action** value is:

```
http://tempuri.org/ISearchQueryServiceApplication/GetSearchServiceApplicationInfo
```

The **SOAP body** contains the **GetSearchServiceApplicationInfo** element.

3.1.4.6.1.2 ISearchQueryServiceApplication_GetSearchServiceApplicationInfo_OutputMessage

The response **WSDL message** for the **GetSearchServiceApplicationInfo WSDL operation**.

The **SOAP body** contains the **GetSearchServiceApplicationInfoResponse** element.

3.1.4.6.2 Elements

The following table summarizes the **XML schema** element definitions that are specific to this operation.

Element	Description
GetSearchServiceApplicationInfo	The input data for the GetSearchServiceApplicationInfo WSDL operation .
GetSearchServiceApplicationInfoResponse	The result data for the GetSearchServiceApplicationInfo WSDL operation .

3.1.4.6.2.1 GetSearchServiceApplicationInfo

The **GetSearchServiceApplicationInfo** element specifies the input data for the **GetSearchServiceApplicationInfo WSDL operation**.

```
<xs:element name="GetSearchServiceApplicationInfo"
  xmlns:xs="http://www.w3.org/2001/XMLSchema">
  <xs:complexType>
```



```

    <xs:sequence/>
  </xs:complexType>
</xs:element>

```

3.1.4.6.2 GetSearchServiceApplicationInfoResponse

The **GetSearchServiceApplicationInfoResponse** element specifies the result data for the **GetSearchServiceApplicationInfo WSDL operation**.

```

<xs:element name="GetSearchServiceApplicationInfoResponse"
  xmlns:xs="http://www.w3.org/2001/XMLSchema">
  <xs:complexType>
    <xs:sequence>
      <xs:element xmlns:q2="http://www.microsoft.com/sharepoint/search/KnownTypes/2008/08"
        minOccurs="0" name="GetSearchServiceApplicationInfoResult" nillable="true"
        type="q2:SearchServiceApplicationInfo"/>
    </xs:sequence>
  </xs:complexType>
</xs:element>

```

GetSearchServiceApplicationInfoResult: Contains properties configured for the search application.

3.1.4.6.3 Complex Types

The following table summarizes the **XML schema** complex type definitions that are specific to this operation.

Complex type	Description
SearchServiceApplicationInfo	Properties configured for a search application

3.1.4.6.3.1 SearchServiceApplicationInfo

Namespace: http://www.microsoft.com/sharepoint/search/KnownTypes/2008/08

The **SearchServiceApplicationInfo** complex type represents the properties configured for a search application.

```

<xs:complexType name="SearchServiceApplicationInfo"
  xmlns:xs="http://www.w3.org/2001/XMLSchema">
  <xs:sequence>
    <xs:element minOccurs="0" name="AlertsEnabled" type="xs:boolean"/>
  </xs:sequence>
  xmlns:tns5="http://schemas.datacontract.org/2004/07/Microsoft.Office.Server.Search.Query"
  minOccurs="0" name="DefaultSearchProvider" type="tns5:SearchProvider"/>
  <xs:element minOccurs="0" name="PersonalQuerySuggestionsEnabled" type="xs:boolean"/>
  <xs:element xmlns:q3="http://schemas.microsoft.com/2003/10/Serialization/Arrays"
    minOccurs="0" name="PropertyBag" nillable="true" type="q3:ArrayOfKeyValueOfstringstring"/>
  <xs:element minOccurs="0" name="QueryLoggingDailyLimit" type="xs:int"/>
  <xs:element minOccurs="0" name="QueryLoggingEnabled" type="xs:boolean"/>
  <xs:element minOccurs="0" name="QuerySuggestionsEnabled" type="xs:boolean"/>
  <xs:element minOccurs="0" name="SearchCenterUrl" nillable="true" type="xs:string"/>
  <xs:element minOccurs="0" name="SearchServiceApplicationId" type="ser:guid"/>
  <xs:element minOccurs="0" name="SharedSearchBoxSettings" nillable="true"
  type="xs:string"/>
  <xs:element minOccurs="0" name="DefaultQueryTimeout" type="xs:int"/>
  <xs:element minOccurs="0" name="DiscoveryMaxKeywordQueryTextLength" type="xs:int"/>
  <xs:element minOccurs="0" name="DiscoveryMaxRowLimit" type="xs:int"/>

```

```

<xs:element minOccurs="0" name="InstallLanguageLCID" type="xs:int"/>
<xs:element xmlns:q3="http://schemas.microsoft.com/2003/10/Serialization/Arrays"
minOccurs="0" name="InstalledLanguages" nillable="true" type="q3:ArrayOfint"/>
<xs:element minOccurs="0" name="MaxKeywordQueryTextLength" type="xs:int"/>
<xs:element minOccurs="0" name="MaxQueryTimeout" type="xs:int"/>
<xs:element minOccurs="0" name="MaxRowLimit" type="xs:int"/>
<xs:element minOccurs="0" name="MinimumPartialQueryTimeout" type="xs:int"/>
<xs:element minOccurs="0" name="SPHomeMaxQueryTextLength" type="xs:int"/>
<xs:element minOccurs="0" name="UseSimpleSchemaUI" type="xs:boolean"/>
</xs:sequence>
</xs:complexType>

```

AlertsEnabled: Specifies if alerts are enabled for the search application. MUST return "true" if alerts processing is enabled; MUST return false if alerts processing is disabled.

DefaultSearchProvider: Specifies the default search provider that will be used to serve the search requests if a search provider is not explicitly provided. This element MUST be **SearchProvider** data type as specified in section [2.2.5.6](#).

PersonalQuerySuggestionsEnabled: Specifies whether personal query and results suggestions are enabled for the search application. The protocol server MUST return "true" if personal query and results suggestions are enabled; the protocol server MUST return "false" if personal query and results suggestions are not enabled.

PropertyBag: Specifies configuration settings applicable when **QueryProperties.ResultsProvider** (as specified in section 2.2.4.11) is **SearchProvider.FASTSearch**. When **QueryProperties.ResultsProvider** (as specified in section 2.2.4.11) is not **SearchProvider.FASTSearch**, this element MUST be ignored. MUST be key-value pairs, as specified in the following table.

Key	Meaning
FASTSearchContextProperties	<p>A comma separated string of user-specific managed properties the protocol server MUST use when allowing a site administrator to define a search setting context to associate with best bets, visual best bets, promotions and demotions. Example value: "title,skills".</p> <p>The protocol client SHOULD submit values for these properties in UserContextData when querying (see section 3.1.4.7.3.1).</p>
FASTSearchAdminServiceAuthenticationUser	<p>A user that the protocol server MUST use for authentication and authorization of operations on the site administration and central administration services. The user MUST be part of the FASTSearchAdministrators local group. User MUST be a domain user and specified either as <code><domain>\<user></code> or <code><user>@<domain></code>, where <code><domain></code> is the domain the user belongs to, and <code><user></code> is the user alias.</p>
FASTSearchAdminServiceLocation	<p>The host name and port number which the protocol server MUST use to access all administration services, except the resource store service (see FASTSearchResourceStoreLocation). This value MUST be specified as "<code><host>:<port></code>" where <code><host></code> MUST be the fully qualified domain name of the computer on which the administration services are running, and <code><port></code> MUST be the port number on the <code><host></code> computer on which these services are running.</p>

Key	Meaning
FASTSearchResourceStoreLocation	The host name and port number that the protocol server MUST use to access the resource store. This value MUST be specified as " <i><host></i> : <i><port></i> " where <i><host></i> MUST be the fully qualified domain name of the computer on which the resource store is running, and <i><port></i> MUST be the port number on the <i><host></i> computer on which the resource store is running.
FASTSearchQueryServiceLocation	The location of one or more query matching services that the protocol server MUST access to get search results. A location MUST be specified as " <i><host></i> : <i><port></i> " where <i><host></i> MUST be the fully qualified domain name of the computer on which the query matching service is available, and <i><port></i> MUST be the port number on the <i><host></i> computer on which the query matching service is available. If multiple service locations are specified, they MUST be separated by comma. The protocol server MUST only access one query matching service for each query.
FASTSearchContextCacheTimeout	The timeout period the protocol client SHOULD use to cache values read in FASTSearchContextProperties . When the timeout period expires, the protocol client SHOULD read the value of FASTSearchContextProperties into the cache again.
FASTSearchDisableUserContext	If "true", the protocol client SHOULD NOT submit values for FASTSearchContextProperties in UserContextData when querying (see section 3.1.4.7.3.1). If false, the protocol client SHOULD submit values for FASTSearchContextProperties in UserContextData when querying.
FASTSearchAlternateAccessMapProperties	A comma-separated list of managed properties the protocol server MUST use for alternate access mapping.
FASTSearchManagedPropertyResultMapping	A key-value set of managed properties used to override value of one managed property with value of another managed property. For each set of managed properties specified in the map, the protocol server MUST copy value of key managed property into the corresponding value managed property from the map. All managed properties in the set MUST be specified in the KeywordQueryProperties.SelectProperties property.

QueryLoggingDailyLimit: MUST be 0.

QueryLoggingEnabled: Specifies whether **query logging** is enabled for the search application. The protocol server MUST return "true" if query logging is enabled; the protocol server MUST return "false" if query logging is not enabled.

QuerySuggestionsEnabled: Specifies whether query suggestions is turned on for the search application. The protocol server MUST return "true" if query suggestions is turned on; the protocol server MUST return "false" if query suggestions are turned off. If query suggestions are turned off, the **GetQuerySuggestions** method MUST return an empty list of query suggestions, as specified in section [3.1.4.4](#).

SearchCenterUrl: Specifies the URL of the default protocol client.

SearchServiceApplicationId: Specifies a global unique identifier of the **SearchServiceApplication**.

SharedSearchBoxSettings: Specifies the SharedSearchBoxSettings as specified in section [2.2.4.41](#) to be used by the search box. The value MUST be formatted using **JavaScript Object Notation (JSON)** as specified in [\[RFC4627\]](#).

DefaultQueryTimeout: Specifies the default timeout value to use during query execution if none is specified in **QueryProperties.Timeout**, as specified in section 2.2.4.11. MUST be greater than 0 and MUST be less than value specified for **MaxQueryTimeout**.

DiscoveryMaxKeywordQueryTextLength: Specifies the maximum allowed characters in **QueryProperties.QueryText**, as specified in section 2.2.4.11, for query issued from **electronic discovery (eDiscovery)** site. MUST be greater than 0; MUST NOT be greater than 20480.

DiscoveryMaxRowLimit: Specifies the maximum number of rows that can be requested in **QueryProperties.RowLimit**, as specified in section 2.2.4.11, for query issued from electronic discovery (eDiscovery) site. MUST be greater than 0; MUST NOT be greater than 100000.

InstallLanguageLCID: Specifies the **LCID** for the protocol server.

InstalledLanguages: Specifies list of LCIDs, for the language packs installed on the protocol server.

MaxKeywordQueryTextLength: Specifies the maximum allowed characters in **QueryProperties.QueryText**, as specified in section 2.2.4.11, for a query not issued from electronic discovery (eDiscovery) site. MUST be greater than 0; MUST NOT be greater than 20480.

MaxQueryTimeout: Specifies the maximum allowed timeout value in **QueryProperties.Timeout**, as specified in section 2.2.4.11. MUST be greater than value specified for **DefaultQueryTimeout**.

MaxRowLimit: Specifies the maximum number of rows that can be requested in **QueryProperties.QueryText** as specified in section 2.2.4.11. MUST be greater than 0; MUST NOT be greater than 100000.

MinimumPartialQueryTimeout: Specifies the timeout in milliseconds for a query that have sub-queries towards the substrate and the local search application. [<63>](#)

The minimum allowed value is 500 milliseconds. MUST be less than the value specified for **DefaultQueryTimeout**.

SPHomeMaxQueryTextLength: Specifies the maximum length of a query from the home web part. MUST NOT be greater than 20480.

UseSimpleSchemaUI: Specifies if the managed property configuration is displayed in a simplified user interface by the protocol client.

3.1.4.6.4 Simple Types

None.

3.1.4.6.5 Attributes

None.

3.1.4.6.6 Groups

None.

3.1.4.6.7 Attribute Groups

None.

3.1.4.7 GetSearchTerms

The **GetSearchTerms** operation is used by the protocol client to retrieve the text restriction of a keyword query as interpreted by the protocol server.

The following is the **WSDL** port type specification of the **GetSearchTerms WSDL operation**.

```
<wsdl:operation name="GetSearchTerms" xmlns:wsdl="http://schemas.xmlsoap.org/wsdl/">
  <wsdl:input wsaw:Action="http://tempuri.org/ISearchQueryServiceApplication/GetSearchTerms"
  message="tns:ISearchQueryServiceApplication_GetSearchTerms_InputMessage"
  xmlns:wsaw="http://www.w3.org/2006/05/addressing/wsdl"/>
  <wsdl:output
  wsaw:Action="http://tempuri.org/ISearchQueryServiceApplication/GetSearchTermsResponse"
  message="tns:ISearchQueryServiceApplication_GetSearchTerms_OutputMessage"
  xmlns:wsaw="http://www.w3.org/2006/05/addressing/wsdl"/>
  <wsdl:fault
  wsaw:Action="http://tempuri.org/ISearchQueryServiceApplication/GetSearchTermsSearchServiceApp
  licationFaultFault" name="SearchServiceApplicationFaultFault"
  message="tns:ISearchQueryServiceApplication_GetSearchTerms_SearchServiceApplicationFaultFault
  _FaultMessage" xmlns:wsaw="http://www.w3.org/2006/05/addressing/wsdl"/>
</wsdl:operation>
```

The protocol client sends an **ISearchQueryServiceApplication_GetSearchTerms_InputMessage** request message and the protocol server responds with an **ISearchQueryServiceApplication_GetSearchTerms_OutputMessage** response message, as follows:

- The protocol client MUST place in the **properties** element the query text for which the text restriction MUST be returned by the protocol server. The **properties** element MUST conform to the schema of the **KeywordQueryProperties** data type, as specified in section [3.1.4.7.3.1](#). The protocol client MUST specify the query text in the **properties.QueryText** child element.
- On receipt, the protocol server MUST return, in the **GetSearchTermsResult** child element of the response message, a modified version of the **QueryText** child element of the request message. The modified query MUST have replaced every part of the query text that is interpreted as a property-expression or and-operator, as specified in [\[MS-SEARCH\]](#) section 2.2.10.2, with a Unicode code point U+0020 (space character).
- The protocol server MUST return a **FaultException<ExceptionDetail>** error message in the following conditions:
 - The properties element does not conform to the schema of the **KeywordQueryProperties** complex type.
 - There is an error in interpreting the **QueryText** child element.

3.1.4.7.1 Messages

The following table summarizes the set of **WSDL message** definitions that are specific to this operation.

Message	Description
ISearchQueryServiceApplication_GetSearchTerms_InputMessage	The request WSDL message for the GetSearchTerms WSDL operation .
ISearchQueryServiceApplication_GetSearchTerms_OutputMessage	The response WSDL message for the GetSearchTerms WSDL operation .

3.1.4.7.1.1 ISearchQueryServiceApplication_GetSearchTerms_InputMessage

The request **WSDL message** for the **GetSearchTerms WSDL operation**.

The **SOAP action** value is:

```
http://tempuri.org/ISearchQueryServiceApplication/GetSearchTerms
```

The **SOAP body** contains the **GetSearchTerms** element.

3.1.4.7.1.2 ISearchQueryServiceApplication_GetSearchTerms_OutputMessage

The response **WSDL message** for the **GetSearchTerms WSDL operation**.

The **SOAP body** contains the **GetSearchTermsResponse** element.

3.1.4.7.2 Elements

The following table summarizes the **XML schema** element definitions that are specific to this operation.

Element	Description
GetSearchTerms	The input data for the GetSearchTerms WSDL operation .
GetSearchTermsResponse	The result data for the GetSearchTerms WSDL operation .

3.1.4.7.2.1 GetSearchTerms

The **GetSearchTerms** element specifies the input data for the **GetSearchTerms WSDL operation**.

```
<xs:element name="GetSearchTerms" xmlns:xs="http://www.w3.org/2001/XMLSchema">
  <xs:complexType>
    <xs:sequence>
      <xs:element xmlns:q2="http://www.microsoft.com/sharepoint/search/KnownTypes/2008/08"
minOccurs="0" name="properties" nillable="true" type="q2:KeywordQueryProperties"/>
    </xs:sequence>
  </xs:complexType>
</xs:element>
```

properties: Specifies the properties for the search query. This element MUST NOT be empty. This element MUST conform to the schema of the **KeywordQueryProperties** data type as specified in section [3.1.4.7.3.1](#). The protocol client MUST specify the **query text** for which the text restriction MUST be included in the response from the protocol server in the **properties.QueryText** child element. If the element does not match the schema of the **KeywordQueryProperties** complex type, the protocol server MUST return a **FaultException<ExceptionDetail>** error message.

3.1.4.7.2.2 GetSearchTermsResponse

The **GetSearchTermsResponse** element specifies the result data for the **GetSearchTerms WSDL operation**.

```
<xs:element name="GetSearchTermsResponse" xmlns:xs="http://www.w3.org/2001/XMLSchema">
  <xs:complexType>
    <xs:sequence>
      <xs:element minOccurs="0" name="GetSearchTermsResult" nillable="true"
type="xs:string"/>
    </xs:sequence>
  </xs:complexType>
</xs:element>
```

```
</xs:complexType>
</xs:element>
```

GetSearchTermsResult: Specifies the text restriction of **properties.QueryText** element as interpreted by the protocol server.

3.1.4.7.3 Complex Types

The following table summarizes the **XML schema** complex type definitions that are specific to this operation.

Complex type	Description
ArrayOfKeyValueOfstringArrayOfRefinementInterval_PFsic3Az	Contains information about the refinement bins for a collection of refiners .
ArrayOfRefinementInterval	Contains the refinement bins the protocol server MUST use when returning refinement values for a refiner
ArrayOfReorderingRule	Contains information about a list of rules to reorder search results.
ArrayOfSort	Contains information about a list of properties to sort the search results by.
KeywordQueryProperties	Contains information about a Keyword query search query . KeywordQueryProperties extends the QueryProperties data type specified in section 2.2.4.11 .
RefinementInterval	The RefinementInterval complex type contains information about a refinement bin for a refiner. The protocol server MUST use this as a refinement bin if returning refinement values for a refiner when this is specified in CustomRefinementIntervals , as specified in 3.1.4.7.3.1.
ReorderingRule	Contains information about how search results will be reordered if they met the condition.
ReorderingRuleCollection	Contains information about how to reorder the search results.
Sort	Contains information about the property to sort the search results on, and how to sort on the property.
SortCollection	Contains information about how to sort the search results.

3.1.4.7.3.1 KeywordQueryProperties

Namespace: <http://www.microsoft.com/sharepoint/search/KnownTypes/2008/08>

The **KeywordQueryProperties** complex type contains information about a **Keyword query search query**. **KeywordQueryProperties** extends the **QueryProperties** data type specified in section [2.2.4.11](#).

```
<xs:complexType name="KeywordQueryProperties" xmlns:xs="http://www.w3.org/2001/XMLSchema">
  <xs:complexContent mixed="false">
    <xs:extension base="q2:QueryProperties">
      <xs:sequence>
        <xs:element xmlns:q3="http://schemas.microsoft.com/2003/10/Serialization/Arrays"
          minOccurs="0" name="CustomRefinementIntervals" nillable="true"
          type="q3:ArrayOfKeyValueOfstringArrayOfRefinementInterval_PFsic3Az"/>
        <xs:element minOccurs="0" name="EnableFQL" type="xs:boolean"/>
        <xs:element
          xmlns:tns5="http://schemas.datacontract.org/2004/07/Microsoft.Office.Server.Search.Query"
          minOccurs="0" name="EnableSpellcheck" type="tns5:SpellcheckMode"/>
        <xs:element minOccurs="0" name="EnableUrlSmashing" type="xs:boolean"/>
        <xs:element minOccurs="0" name="GenerationId" type="xs:long"/>
        <xs:element minOccurs="0" name="HiddenConstraints" nillable="true" type="xs:string"/>
        <xs:element minOccurs="0" name="IsCachable" type="xs:boolean"/>
        <xs:element minOccurs="0" name="MaxShallowRefinementHits" type="xs:int"/>
        <xs:element minOccurs="0" name="MaxSummaryLength" type="xs:int"/>
        <xs:element minOccurs="0" name="MaxUrlLength" type="xs:int"/>
        <xs:element xmlns:q3="http://schemas.microsoft.com/2003/10/Serialization/Arrays"
          minOccurs="0" name="RefinementFilters" nillable="true" type="q3:ArrayOfanyType"/>
        <xs:element minOccurs="0" name="Refiners" nillable="true" type="xs:string"/>
        <xs:element minOccurs="0" name="ReorderingRules" nillable="true"
          type="q2:ReorderingRuleCollection"/>
        <xs:element
          xmlns:tns5="http://schemas.datacontract.org/2004/07/Microsoft.Office.Server.Search.Query"
          minOccurs="0" name="ResubmitFlags" type="tns5:ResubmitFlag"/>
        <xs:element xmlns:q3="http://schemas.microsoft.com/2003/10/Serialization/Arrays"
          minOccurs="0" name="SelectProperties" nillable="true" type="q3:ArrayOfanyType"/>
        <xs:element minOccurs="0" name="SimilarTo" nillable="true" type="xs:string"/>
        <xs:element
          xmlns:tns5="http://schemas.datacontract.org/2004/07/Microsoft.Office.Server.Search.Query"
          minOccurs="0" name="SimilarType" type="tns5:SimilarType"/>
        <xs:element minOccurs="0" name="SortList" nillable="true" type="q2:SortCollection"/>
        <xs:element minOccurs="0" name="SortSimilar" type="xs:boolean"/>
        <xs:element minOccurs="0" name="TrimDuplicatesIncludeId" type="xs:long"/>
        <xs:element minOccurs="0" name="TrimDuplicatesKeepCount" type="xs:int"/>
        <xs:element minOccurs="0" name="TrimDuplicatesOnProperty" nillable="true"
          type="xs:string"/>
        <xs:element minOccurs="0" name="UserContextData" nillable="true" type="xs:string"/>
        <xs:element minOccurs="0" name="UserContextGroupID" nillable="true"
          type="xs:string"/>
      </xs:sequence>
    </xs:extension>
  </xs:complexContent>
</xs:complexType>
```

CustomRefinementIntervals: Specifies the **refinement bins** for one or more **refiners**. The protocol server MUST use these refinement bins if returning **refinement values** for the refiner. If **QueryProperties.ResultsProvider**, as specified in section 2.2.4.11, is **SearchProvider.SharepointSearch**, and the value MUST be ignored by the protocol server.

EnableFQL: Specifies the type of the query. A value of "true" specifies that the query is specified as a **FAST Query Language (FQL)** query, as specified in [\[MS-FQL2\]](#); a value of "false" indicates that the query is specified as a **SharePoint Search keyword** query, as specified in [\[MS-SEARCH\]](#) section 2.2.10. If **EnableFQL** is not set by the protocol client, the protocol server MUST behave as if the value "false" is specified by protocol client. If **QueryProperties.ResultsProvider** is **SearchProvider.SharepointSearch**, the value MUST be ignored by the protocol server.

EnableSpellcheck: Specifies how the protocol server SHOULD suggest a different spelling of the search query, as specified in section [3.1.4.7.4.1](#). If the value is "SpellcheckMode.Off", the protocol server MUST NOT suggest a different spelling of the search query. If the value is

"SpellcheckMode.Suggest", the protocol server SHOULD suggest a different spelling if there is a good chance that the spelling suggestion will increase the quality of the search results. The criteria used to determine the spelling suggestion is specific to the implementation of the protocol server. If there is a spelling suggestion, the protocol server MUST set it in the **SpellingSuggestion** property of the search result, as specified in [3.1.4.1.3.1](#). If the value is "SpellcheckMode.On", the protocol server MUST rewrite the search query to be the same as the spelling suggestion before evaluating the query and returning results, if there is a good chance that the spelling suggestion will increase the quality of the search results. The exact details of how the protocol server decides if there is a good chance to improve quality of the search results is an implementation detail of the server and is not specified by this protocol. If there was a rewrite of the query, the protocol server MUST set it in the **QueryModification** property of the search result, as specified in [3.1.4.1.3.1](#). If **EnableSpellCheck** is not set by the protocol client, the protocol server MUST behave as if the value "SpellcheckMode.Suggest" is specified by the protocol client. If **QueryProperties.ResultsProvider**, as specified in section [2.2.4.11](#), is "SearchProvider.SharepointSearch", the value MUST be ignored by the protocol server.

EnableUrlSmashing: Specifies whether the protocol server MUST combine all the **tokens** of the query text to form a query result with the **URL** formed by combining the tokens. A value of "true" specifies that the protocol server SHOULD return the URL formed by combining the tokens as a search result; a value of "false" specifies that the protocol server MUST NOT return the URL formed by combining tokens as a search result. If **QueryProperties.ResultsProvider**, as specified in section [2.2.4.11](#), is equal to "SearchProvider.FASTSearch", the complex type MUST be ignored by the protocol server.

GenerationId: Specifies the identifier for the **search index** generation to get the query results from.

HiddenConstraints: Specifies additional query terms that MUST be appended to the **QueryProperties.queryText** element. This element is used by the end-user interface to pass hidden constraints of the query that are not entered by the end user. If this element is not present or a value is not specified, a default value of an empty string MUST be used. If there are two or more query terms, use " " as a separator.

IsCachable: Specifies if the user-specific **access control entry (ACE)** is ignored while **security trimming** the **query results**.

MaxShallowRefinementHits: For details see **Query.IncludeRefinementResults.MaxShallowRefinementHits**, as specified in [MS-SEARCH] section [2.2.3.1](#). If **QueryProperties.ResultsProvider**, as specified in section [2.2.4.11](#), is "SearchProvider.SharepointSearch", the value MUST be ignored by the protocol server.

MaxSummaryLength: Specifies the maximum length of characters of the property with the name **HitHighlightedSummary**. MUST be a positive integer.

MaxUrlLength: Reserved. MUST be ignored by the protocol server.

RefinementFilters: The list of **refinement tokens** for drilldown into search results. Refinement tokens are returned as part of the **RefinementResults** table, as specified in [3.1.4.1.3.6](#), for the search query. If **QueryProperties.ResultsProvider**, as specified in section [2.2.4.11](#), is "SearchProvider.SharepointSearch", the value MUST be ignored by the protocol server.

Refiners: Specifies a list of refiners as a comma-separated list of **strings**. A refiner is a **Query.IncludeRefinementResults.Refiners.Refiner**, as specified in [MS-SEARCH] section [2.2.3.1](#). If **QueryProperties.ResultsProvider**, as specified in section [2.2.4.11](#), is "SearchProvider.SharepointSearch", the value MUST be ignored by the protocol server.

ReorderingRules: Specifies the list of rules used to reorder search results. MUST be a **ReorderingRuleCollection** data type, as specified in section [3.1.4.7.3.7](#).

ResubmitFlags: Specifies how the protocol server MUST behave if no query results are returned from the original query. If present, the value MUST be a **ResubmitFlag** data type, as specified in section

[3.1.4.7.4.2](#). Section 3.1.4.7.4.2 also describes how the protocol server MUST behave. If not present, the protocol server MUST behave as if **ResubmitFlag.NoResubmit** was set. If **QueryProperties.ResultsProvider**, as specified in section 2.2.4.11, is "SearchProvider.SharepointSearch", the value MUST be ignored by the protocol server.

SelectProperties: Specifies the list of **managed properties** that the protocol server MUST return for each search result. For all the managed properties specified in the child elements of this element the value of the **Retrievable** flag MUST be set to "true" in the search schema, as specified in section [3.1.1.3](#).

If this element is not present or a value is not specified, and **QueryProperties.ResultsProvider**, as specified in section 2.2.4.11, is not "SearchProvider.FASTSearch", the protocol server MUST use the following list of default managed properties, if available:

- **WorkId**
- **Rank**
- **Title**
- **Author**
- **Size**
- **Path**
- **Description**
- **Write**
- **SiteName**
- **CollapsingStatus**
- **HitHighlightedSummary**
- **HitHighlightedProperties**
- **ContentClass**
- **PictureThumbnailURL**
- **IsDocument**

For a description of these properties, see section 3.1.1.3.

If this element is not present or a value is not specified, and **QueryProperties.ResultsProvider**, as specified in section 2.2.4.11, is "SearchProvider.FASTSearch", the protocol server MUST use the following list of default managed properties if available:

- **WorkId**
- **Rank**
- **Title**
- **Author**
- **Size**
- **Path**

- **Description**
- **Write**
- **SiteName**
- **CollapsingStatus**
- **HitHighlightedSummary**
- **HitHighlightedProperties**
- **ContentClass**
- **IsDocument**
- **PictureThumbnailURL**
- **Url**
- **ServerRedirectUrl**
- **FileExtension**
- **SpSiteUrl**
- **docvector**
- **fcocount**
- **fcoid**
- **PictureHeight**
- **PictureWidth**

SimilarTo: For details see **Query.FindSimilar.SimilarTo**, as specified in [MS-SEARCH] section 2.2.3.1. [MS-SEARCH] section 2.2.5.6 specifies the syntax. If **QueryProperties.ResultsProvider**, as specified in section 2.2.4.11, is "SearchProvider.SharepointSearch", the value MUST be ignored by the protocol server.

SimilarType: Specifies how the protocol server MUST transform the search query when **SimilarTo** is set. The protocol server MUST append the query text in **SimilarTo** to the **QueryText** based on **SimilarType**. MUST be one of the values specified in section 3.1.4.7.4.3. If not set, but **SimilarTo** is set, the protocol server MUST behave as if "SimilarType.Find" was specified. If set, but **SimilarTo** is not set, the protocol server MUST ignore this value and MUST NOT transform the query text. If **QueryProperties.ResultsProvider**, as specified in section 2.2.4.11, is "SearchProvider.SharepointSearch", the value MUST be ignored by the protocol server.

SortList: Specifies the list of properties with which to sort the search results. MUST be a **SortCollection** data type, as specified in section 3.1.4.7.3.4. If this element is not present or a value is not specified, the default managed property **Rank** and default **direction** of "Descending" MUST be used.

SortSimilar: For details see **Query.FindSimilar.SortSimilar**, as specified in [MS-SEARCH] section 2.2.3.1. If **QueryProperties.ResultsProvider**, as specified in section 2.2.4.11, is "SearchProvider.SharepointSearch", the value MUST be ignored by the protocol server.

TrimDuplicatesIncludeId: For details see **Query.TrimDuplicates.includeid**, as specified in [MS-SEARCH] section 2.2.3.1. If **QueryProperties.ResultsProvider**, as specified in section 2.2.4.11, is "SearchProvider.SharepointSearch", the value MUST be ignored by the protocol server.

TrimDuplicatesKeepCount: For details see **Query.TrimDuplicates.keeppcount**, as specified in [MS-SEARCH] section 2.2.3.1. If **QueryProperties.ResultsProvider**, as specified in section 2.2.4.11, is "SearchProvider.SharepointSearch", the value MUST be ignored by the protocol server.

TrimDuplicatesOnProperty: For details see **Query.TrimDuplicates.onproperty**, as specified in [MS-SEARCH] section 2.2.3.1. If **QueryProperties.ResultsProvider**, as specified in section 2.2.4.11, is "SearchProvider.SharepointSearch", the value MUST be ignored by the protocol server.

UserContextData: For details see **Query.UserContext.UserContextData**, as specified in [MS-SEARCH] section 2.2.3.1. If **QueryProperties.ResultsProvider**, as specified in section 2.2.4.11, is "SearchProvider.SharepointSearch", the value MUST be ignored by the protocol server.

UserContextGroupID: Specifies an identifier that is used to group keywords used for matching **best bets** and **visual best bets** to the search query. If **UserContextGroupID** is present, and **QueryProperties.ResultTypes** is set to include **SpecialTermResults**, the protocol server MUST only return best bets and visual best bets results when the search query contains a **keyword** in the specified group. If **QueryProperties.ResultsProvider**, as specified in section 2.2.4.11, is "SearchServer.SharepointSearch", the value MUST be ignored by protocol server.

Properties: Specifies a property bag of key-value pairs as specified in section 2.2.4.11. SHOULD contain the following properties besides the properties specified in **QueryProperties.Properties**:

CollapseSpecification: A set of collapse specifications containing managed properties that are used to determine how to collapse individual search results. Results are collapsed into one or a specified number of results if they match any of the individual collapse specifications. Within a single collapse specification, results will be collapsed if their properties match all of the individual properties in the collapse specification.

EnableSorting: Specifies whether sorting of results is enabled or not. MUST ignore the **SortList** specified if this value is set to **false**.

MaxKeywordQueryTextLength: Specifies the maximum characters allowed in **QueryProperties.QueryText** as specified in section 2.2.4.11. The protocol server MUST return a **FaultException<ExceptionDetail>** message if the **QueryProperties.QueryText** exceeds the maximum characters allowed.

3.1.4.7.3.2 ArrayOfKeyValueOfstringArrayOfRefinementInterval_PFsic3Az

Namespace: http://schemas.microsoft.com/2003/10/Serialization/Arrays

The **ArrayOfKeyValueOfstringArrayOfRefinementInterval_PFsic3Az** complex type contains information about the **refinement bins** for a collection of **refiners**. The protocol server MUST use the specified refinement bins when returning **refinement values** for the refiners.

```
<xs:complexType name="ArrayOfKeyValueOfstringArrayOfRefinementInterval_PFsic3Az"
xmlns:xs="http://www.w3.org/2001/XMLSchema">
  <xs:sequence>
    <xs:element minOccurs="0" maxOccurs="unbounded"
name="KeyValueOfstringArrayOfRefinementInterval_PFsic3Az">
      <xs:complexType>
        <xs:sequence>
          <xs:element name="Key" nillable="true" type="xs:string"/>
          <xs:element
xmlns:q2="http://www.microsoft.com/sharepoint/search/KnownTypes/2008/08" name="Value"
nillable="true" type="q2:ArrayOfRefinementInterval"/>
        </xs:sequence>
      </xs:complexType>
    </xs:element>
  </xs:sequence>
</xs:complexType>
```

KeyValueOfstringArrayOfRefinementInterval_PFsic3Az: Specifies a collection of refiners and associated refinement bins the protocol server MUST apply to refinement values belonging to a particular refiner.

KeyValueOfstringArrayOfRefinementInterval_PFsic3Az.Key: Specifies the refiner name.

KeyValueOfstringArrayOfRefinementInterval_PFsic3Az.Value: Specifies the refinement bins the protocol server MUST apply to the refinement values for a refiner. The value MUST be of type **ArrayOfRefinementInterval** as described in 3.1.4.7.3.3.

3.1.4.7.3.3 ArrayOfRefinementInterval

Namespace: http://www.microsoft.com/sharepoint/search/KnownTypes/2008/08

The **ArrayOfRefinementInterval** complex type contains the **refinement bins** the protocol server MUST use when returning refinement values for a **refiner**.

```
<xs:complexType name="ArrayOfRefinementInterval" xmlns:xs="http://www.w3.org/2001/XMLSchema">
  <xs:sequence>
    <xs:element minOccurs="0" maxOccurs="unbounded" name="RefinementInterval" nillable="true"
type="q2:RefinementInterval"/>
  </xs:sequence>
</xs:complexType>
```

RefinementInterval: Specifies the array of refinement bins. The element of the array MUST either be of type **DateRefinementInterval** as described in section [2.2.4.6](#) or **NumericRefinementInterval** as described in section [2.2.4.9](#).

3.1.4.7.3.4 SortCollection

Namespace: http://www.microsoft.com/sharepoint/search/KnownTypes/2008/08

The **SortCollection** complex type contains information about how to sort the search results.

```
<xs:complexType name="SortCollection" xmlns:xs="http://www.w3.org/2001/XMLSchema">
  <xs:sequence>
    <xs:element minOccurs="0" name="m_elements" nillable="true" type="q2:ArrayOfSort"/>
  </xs:sequence>
</xs:complexType>
```

m_elements: Specifies the collection of properties to sort the search results by. MUST be an **ArrayOfSort** data type as specified in section [3.1.4.7.3.5](#).

3.1.4.7.3.5 ArrayOfSort

Namespace: http://www.microsoft.com/sharepoint/search/KnownTypes/2008/08

The **ArrayOfSort** complex type contains information about a list of properties to sort the search results by. Each child element of this complex type defines a property to sort the search results on, and how to sort on it. If this element contains more than one child element, then the protocol server MUST sort the search results on the first child element, with ties broken by the second child element and so on.

```
<xs:complexType name="ArrayOfSort" xmlns:xs="http://www.w3.org/2001/XMLSchema">
  <xs:sequence>
    <xs:element minOccurs="0" maxOccurs="unbounded" name="Sort" nillable="true"
type="q2:Sort"/>
  </xs:sequence>
```

```
</xs:complexType>
```

Sort: Specifies the name of the property to sort the search results on, and the direction in which the results MUST be sorted. MUST be a **Sort** data type, as specified in section [3.1.4.7.3.6](#).

3.1.4.7.3.6 Sort

Namespace: <http://www.microsoft.com/sharepoint/search/KnownTypes/2008/08>

The **Sort** complex type contains information about the property to sort the search results on, and how to sort on the property.

```
<xs:complexType name="Sort" xmlns:xs="http://www.w3.org/2001/XMLSchema">
  <xs:sequence>
    <xs:element
      xmlns:tns5="http://schemas.datacontract.org/2004/07/Microsoft.Office.Server.Search.Query"
      minOccurs="0" name="direction" type="tns5:SortDirection"/>
    <xs:element minOccurs="0" name="strProperty" nillable="true" type="xs:string"/>
  </xs:sequence>
</xs:complexType>
```

direction: The direction in which to sort on the property specified in the **strProperty** element. MUST be a **SortDirection** data type as specified in section [3.1.4.7.4.4](#). If the **direction** element is not specified, the protocol server MUST use **SortDirection.Ascending** as the default. If direction is equal to **SortDirection.FQLFormula**, then the **strProperty** MUST specify the formula that MUST be used for sorting the search results, as specified in section [3.1.4.7.4.4](#). If

QueryProperties.ResultsProvider (as specified in section [2.2.4.11](#)) is **SearchServer.SharepointSearch** and direction is set to **SortDirection.FQLFormula**, the value of **strProperty** MUST be ignored by the protocol server.

strProperty: If **direction** is equal to **SortDirection.Ascending** or **SortDirection.Descending**, then this element specifies the name of the **managed property** to sort the search results on.

If **direction** is equal to **SortDirection.FQLFormula**, then this element specifies the formula (as specified in section [3.1.4.7.4.4](#)) that MUST be used for sorting the search results.

3.1.4.7.3.7 ReorderingRuleCollection

Namespace: <http://www.microsoft.com/sharepoint/search/KnownTypes/2008/08>

The **ReorderingRuleCollection** complex type [64](#) contains information about how to reorder the search results.

```
<xs:complexType name="ReorderingRuleCollection" xmlns:xs="http://www.w3.org/2001/XMLSchema">
  <xs:sequence>
    <xs:element
      xmlns:tns5="http://schemas.datacontract.org/2004/07/Microsoft.Office.Server.Search.Query"
      minOccurs="0" name="m_elements" nillable="true" type="tns5:ArrayOfReorderingRule"/>
  </xs:sequence>
</xs:complexType>
```

m_elements: Specifies the collection of reordering rules that modifies the rank of search results. MUST be an **ArrayOfReorderingRule** data type as specified in section [3.1.4.7.3.8](#).

3.1.4.7.3.8 ArrayOfReorderingRule

Namespace: <http://schemas.datacontract.org/2004/07/Microsoft.Office.Server.Search.Query>

The **ArrayOfReorderingRule** complex type<65> contains information about a list of rules used to reorder search results. Each child element of this complex type defines a reordering rule in accordance with which search results get a higher or lower rank as they met rule conditions.

```
<xs:complexType name="ArrayOfReorderingRule" xmlns:xs="http://www.w3.org/2001/XMLSchema">
  <xs:sequence>
    <xs:element minOccurs="0" maxOccurs="unbounded" name="ReorderingRule" nillable="true"
type="tns5:ReorderingRule"/>
  </xs:sequence>
</xs:complexType>
```

ReorderingRule: Specifies the rule in accordance with which the search results MUST be reordered. MUST be a **ReorderingRule** data type, as specified in section [3.1.4.7.3.9](#).

3.1.4.7.3.9 ReorderingRule

Namespace: <http://schemas.datacontract.org/2004/07/Microsoft.Office.Server.Search.Query>

The **ReorderingRule** complex type<66> contains information about how search results SHOULD be reordered if they met the condition.

```
<xs:complexType name="ReorderingRule" xmlns:xs="http://www.w3.org/2001/XMLSchema">
  <xs:sequence>
    <xs:element minOccurs="0" name="Boost" type="xs:int"/>
    <xs:element minOccurs="0" name="MatchType" type="tns5:ReorderingRuleMatchType"/>
    <xs:element minOccurs="0" name="MatchValue" nillable="true" type="xs:string"/>
  </xs:sequence>
</xs:complexType>
```

Boost: Rank boost coefficient. If boost is higher than 10 then matching search results MUST be ranked at the top of search results. If boost is lower than -10 then matching search results MUST be ranked at the bottom of search results. If boost is between -10 and 10 then the rank of matched search results MUST be modified toward the top if boost is greater than 0, or toward the bottom otherwise.

MatchType: The type of condition by which the rule matches search results.

MatchValue: The custom value which is used to match search results. The actual value depends on the match type.

3.1.4.7.3.10 RefinementInterval

Namespace: <http://www.microsoft.com/sharepoint/search/KnownTypes/2008/08>

The **RefinementInterval** complex type contains information about a **refinement bin** for a **refiner**. The protocol server MUST use this as a refinement bin if returning **refinement values** for a refiner when this is specified in **CustomRefinementIntervals**, as specified in 3.1.4.7.3.1.

```
<xs:complexType name="RefinementInterval" xmlns:xs="http://www.w3.org/2001/XMLSchema">
  <xs:sequence>
    <xs:element minOccurs="0" name="CustomValue" nillable="true" type="xs:string"/>
    <xs:element minOccurs="0" name="Lower" nillable="true" type="xs:anyType"/>
    <xs:element minOccurs="0" name="Upper" nillable="true" type="xs:anyType"/>
  </xs:sequence>
</xs:complexType>
```

CustomValue: The custom value for this refinement bin. The protocol client MAY label the refinement bin with a custom string value.

Lower: The lower bound of this refinement bin. Only values larger than or equal to this value MUST be part of this refinement bin.

Upper: The upper bound of this refinement bin. Only values smaller than or equal to this value MUST be part of this refinement bin.

3.1.4.7.4 Simple Types

The following table summarizes the **XML schema** simple type definitions that are specific to this operation.

Simple type	Description
ReorderingRuleMatchType	Represents the type of the condition which reordering rule is used to match search results.
ResubmitFlag	It is used to specify how the protocol server MUST behave if no results are returned from a search query.
SimilarType	Represents the type of transformation the protocol server MUST apply to the search query.
SortDirection	Represents the direction in which the search results MUST be sorted.
SpellcheckMode	Represents the type of spelling behavior the protocol server MUST apply to the query text.

3.1.4.7.4.1 SpellcheckMode

Namespace: <http://schemas.datacontract.org/2004/07/Microsoft.Office.Server.Search.Query>

The **SpellcheckMode** simple type represents the type of spelling behavior the protocol server MUST apply to the query text.

```
<xs:simpleType name="SpellcheckMode" xmlns:xs="http://www.w3.org/2001/XMLSchema">  
  <xs:restriction base="xs:string">  
    <xs:enumeration value="Off"/>  
    <xs:enumeration value="Suggest"/>  
    <xs:enumeration value="On"/>  
  </xs:restriction>  
</xs:simpleType>
```

The following table specifies the allowable values for the **SpellcheckMode** simple type.

Value	Meaning
Off	The protocol server MUST NOT suggest or modify the search query.
Suggest	A suggested modification to the search query MUST be returned if there is a good chance that the spelling suggestion will increase the quality of the search results. If there is a suggestion, it MUST be returned in the SpellingSuggestion property of the ResultTableCollection .
On	The search query MUST be modified automatically if there is a good chance that the spelling suggestion will increase the quality of the search results. If a modification has been done, it MUST be returned in the QueryModification property of the ResultTableCollection .

3.1.4.7.4.2 ResubmitFlag

Namespace: http://schemas.datacontract.org/2004/07/Microsoft.Office.Server.Search.Query

The **ResubmitFlag** simple type is used to specify how the protocol server MUST behave if no results are returned from a search query.

```
<xs:simpleType name="ResubmitFlag" xmlns:xs="http://www.w3.org/2001/XMLSchema">
  <xs:list>
    <xs:simpleType>
      <xs:restriction base="xs:string">
        <xs:enumeration value="NoResubmit"/>
        <xs:enumeration value="EnableSpellcheckOnResubmit"/>
        <xs:enumeration value="EnableSpellcheckSuggestOnResubmit"/>
        <xs:enumeration value="EnableStemmingOnResubmit"/>
        <xs:enumeration value="AddSynonymsAutomatically"/>
      </xs:restriction>
    </xs:simpleType>
  </xs:list>
</xs:simpleType>
```

The following table specifies the allowable values for the **ResubmitFlag** simple type.

Value	Meaning
NoResubmit	The protocol server MUST NOT resubmit the search query when there are no query results and MUST ignore other ResubmitFlag elements.
EnableSpellcheckOnResubmit	The protocol server MUST set EnableSpellcheck to SpellcheckMode.On for the resubmitted search query.
EnableSpellcheckSuggestOnResubmit	The protocol server MUST set EnableSpellcheck to SpellcheckMode.Suggest for the resubmitted search query.
EnableStemmingOnResubmit	The protocol server MUST set EnableStemming to "true" when resubmitting the search query.
AddSynonymsAutomatically	Reserved. MUST be ignored by the protocol server.

3.1.4.7.4.3 SimilarType

Namespace: http://schemas.datacontract.org/2004/07/Microsoft.Office.Server.Search.Query

The **SimilarType** simple type represents the type of transformation the protocol server MUST apply to the search query. See [\[MS-SEARCH\]](#) section 2.2.11.2, Keyword Query for a specification of keyword query operators.

```
<xs:simpleType name="SimilarType" xmlns:xs="http://www.w3.org/2001/XMLSchema">
  <xs:restriction base="xs:string">
    <xs:enumeration value="None"/>
    <xs:enumeration value="Find"/>
    <xs:enumeration value="Refine"/>
    <xs:enumeration value="Exclude"/>
  </xs:restriction>
</xs:simpleType>
```

The following table specifies the allowable values for the **SimilarType** simple type.

Value	Meaning
None	The protocol server MUST NOT add any value to the search query in QueryText .
Find	The protocol server MUST add the value in SimilarTo to QueryText using the OR operator.
Refine	The protocol server MUST add the value in SimilarTo to QueryText using the AND operator.
Exclude	The protocol server MUST add the value in SimilarTo to QueryText using the ANDNOT operator.

3.1.4.7.4.4 SortDirection

Namespace: <http://schemas.datacontract.org/2004/07/Microsoft.Office.Server.Search.Query>

The **SortDirection** simple type represents the direction in which the search results MUST be sorted.

```
<xs:simpleType name="SortDirection" xmlns:xs="http://www.w3.org/2001/XMLSchema">
  <xs:restriction base="xs:string">
    <xs:enumeration value="Ascending"/>
    <xs:enumeration value="Descending"/>
    <xs:enumeration value="FQLFormula"/>
  </xs:restriction>
</xs:simpleType>
```

The following table specifies the allowable values for the **SortDirection** simple type.

Value	Meaning
Ascending	The search results MUST be sorted in ascending order of the values of the property specified by Sort.strProperty as specified in section 3.1.4.7.3.6 .
Descending	The search results MUST be sorted in descending order of the values of the property specified by Sort.strProperty as specified in section 3.1.4.7.3.6 .
FQLFormula	The search results MUST be sorted according to formula specified by Sort.strProperty as specified in section 3.1.4.7.3.6 . The formula MUST be a valid formula expression as specified in [MS-FQL2] section 2. If QueryProperties.ResultsProvider (as specified in section 2.2.4.11) is SearchProvider.SharepointSearch , the value MUST be ignored by the protocol server.

3.1.4.7.4.5 ReorderingRuleMatchType

Namespace: <http://schemas.datacontract.org/2004/07/Microsoft.Office.Server.Search.Query>

The **ReorderingRuleMatchType** simple type [<67>](#) represents how the reordering rule matches search results that are reordered.

```
<xs:simpleType name="ReorderingRuleMatchType" xmlns:xs="http://www.w3.org/2001/XMLSchema">
  <xs:restriction base="xs:string">
    <xs:enumeration value="ResultContainsKeyword"/>
    <xs:enumeration value="TitleContainsKeyword"/>
    <xs:enumeration value="TitleMatchesKeyword"/>
    <xs:enumeration value="UrlStartsWith"/>
    <xs:enumeration value="UrlExactlyMatches"/>
    <xs:enumeration value="ContentTypeIs"/>
    <xs:enumeration value="FileExtensionMatches"/>
    <xs:enumeration value="ResultHasTag"/>
    <xs:enumeration value="ManualCondition"/>
  </xs:restriction>
</xs:simpleType>
```

```
</xs:restriction>
</xs:simpleType>
```

The following table specifies the allowable values for the **ReorderingRuleMatchType** simple type.

Value	Meaning
ResultContainsKeyword	Rule matches search results whose content has keywords specified by matchValue.
TitleContainsKeyword	Rule matches search results whose title contains keywords specified by matchValue.
TitleMatchesKeyword	Rule matches search results whose titles equal to the string specified by matchValue.
UrlStartsWith	Rule matches search results whose URL begins with the string specified by matchValue.
UrlExactlyMatches	Rule matches search results whose URL equals to the string specified by matchValue.
ContentTypeIs	Rule matches search results whose ContentType matches with the string specified by matchValue.
FileExtensionMatches	Rule matches search results whose file extension match with the string specified by matchValue.
ResultHasTag	Rule matches search results which are tagged with taxonomy term specified by matchValue.
ManualCondition	Rule matches search results which matches KQL query syntax specified by matchValue.

3.1.4.7.5 Attributes

None.

3.1.4.7.6 Groups

None.

3.1.4.7.7 Attribute Groups

None.

3.1.4.8 GetTopQueryStringsForUrl

For each crawled item that is identified by a **URI**, the protocol server **MUST** store a list of executed **search queries** that return this item in their **query results** within 366 days. This list **MUST** be sorted in descending order by the frequency of occurrence of the search queries. This operation returns a specified number of search queries from this sorted list for a given URI.

The following is the **WSDL** port type specification of the **GetTopQueryStringsForUrl WSDL operation**.

```
<wsdl:operation name="GetTopQueryStringsForUrl"
xmlns:wsdl="http://schemas.xmlsoap.org/wsdl/">
  <wsdl:input
wsaw:Action="http://tempuri.org/ISearchQueryServiceApplication/GetTopQueryStringsForUrl"
message="tns:ISearchQueryServiceApplication_GetTopQueryStringsForUrl_InputMessage"
xmlns:wsaw="http://www.w3.org/2006/05/addressing/wsdl"/>
```

```

<wsdl:output
wsaw:Action="http://tempuri.org/ISearchQueryServiceApplication/GetTopQueryStringsForUrlResponse" message="tns:ISearchQueryServiceApplication_GetTopQueryStringsForUrl_OutputMessage"
xmlns:wsaw="http://www.w3.org/2006/05/addressing/wsdl"/>
<wsdl:fault
wsaw:Action="http://tempuri.org/ISearchQueryServiceApplication/GetTopQueryStringsForUrlSearchServiceApplicationFaultFault" name="SearchServiceApplicationFaultFault"
message="tns:ISearchQueryServiceApplication_GetTopQueryStringsForUrl_SearchServiceApplicationFaultFault_FaultMessage" xmlns:wsaw="http://www.w3.org/2006/05/addressing/wsdl"/>
</wsdl:operation>

```

The protocol client sends an **ISearchQueryServiceApplication_GetTopQueryStringForUrl_InputMessage** request message, as specified in section [3.1.4.8.1.1](#), and the protocol server responds with an **ISearchQueryServiceApplication_GetTopQueryStringForUrl_OutputMessage** response message, as specified in section [3.1.4.8.1.2](#), as follows:

- On receipt, the protocol server verifies the value of the URI specified in the **url** element. If the element is absent, empty or contains more than 1024 characters, the protocol server MUST send a **FaultException<ExceptionDetail>** message to the protocol client.
- The protocol server verifies the value of the **topCount** element. If the value is smaller than 0 or greater than 2,147,483,647, the protocol server MUST send a **FaultException<ExceptionDetail>** message to the protocol client.
- On success, the protocol server returns the specified number of search queries to the protocol client. If the specified number is greater than the number of search queries that the protocol server stores, the protocol server returns all the search queries it stores to the protocol client.
- On error, the protocol server MUST send a **FaultException<ExceptionDetail>** message to the protocol client.

3.1.4.8.1 Messages

The following table summarizes the set of **WSDL message** definitions that are specific to this operation.

Message	Description
ISearchQueryServiceApplication_GetTopQueryStringsForUrl_InputMessage	The request WSDL message for the GetTopQueryStringsForUrl WSDL operation .
ISearchQueryServiceApplication_GetTopQueryStringsForUrl_OutputMessage	The response WSDL message for the GetTopQueryStringsForUrl WSDL operation .

3.1.4.8.1.1 ISearchQueryServiceApplication_GetTopQueryStringsForUrl_InputMessage

The request **WSDL message** for the **GetTopQueryStringsForUrl WSDL operation**.

The **SOAP action** value is:

<http://tempuri.org/ISearchQueryServiceApplication/GetTopQueryStringsForUrl>

The **SOAP body** contains the **GetTopQueryStringsForUrl** element.

3.1.4.8.1.2 ISearchQueryServiceApplication_GetTopQueryStringsForUrl_OutputMessage

The response **WSDL message** for the **GetTopQueryStringsForUrl WSDL operation**.

The **SOAP body** contains the **GetTopQueryStringsForUrlResponse** element.

3.1.4.8.2 Elements

The following table summarizes the **XML schema** element definitions that are specific to this operation.

Element	Description
GetTopQueryStringsForUrl	The input data for the GetTopQueryStringsForUrl WSDL operation .
GetTopQueryStringsForUrlResponse	The result data for the GetTopQueryStringsForUrl WSDL operation .

3.1.4.8.2.1 GetTopQueryStringsForUrl

The **GetTopQueryStringsForUrl** element specifies the input data for the **GetTopQueryStringsForUrl WSDL operation**.

```
<xs:element name="GetTopQueryStringsForUrl" xmlns:xs="http://www.w3.org/2001/XMLSchema">
  <xs:complexType>
    <xs:sequence>
      <xs:element minOccurs="0" name="url" nillable="true" type="xs:string"/>
      <xs:element minOccurs="0" name="topCount" type="xs:int"/>
    </xs:sequence>
  </xs:complexType>
</xs:element>
```

url: Specifies the URI for which corresponding **search queries** MUST be returned by the protocol server.

topCount: Specifies the number of search queries to return, which are associated with the URI specified in **url** element.

3.1.4.8.2.2 GetTopQueryStringsForUrlResponse

The **GetTopQueryStringsForUrlResponse** element specifies the result data for the **GetTopQueryStringsForUrl WSDL operation**.

```
<xs:element name="GetTopQueryStringsForUrlResponse"
  xmlns:xs="http://www.w3.org/2001/XMLSchema">
  <xs:complexType>
    <xs:sequence>
      <xs:element xmlns:q3="http://schemas.microsoft.com/2003/10/Serialization/Arrays"
        minOccurs="0" name="GetTopQueryStringsForUrlResult" nillable="true" type="q3:ArrayOfstring"/>
    </xs:sequence>
  </xs:complexType>
```

</xs:element>

GetTopQueryStringsForUriResult: Specifies a list of most frequently occurring search queries corresponding to the given URI.

3.1.4.8.3 Complex Types

None.

3.1.4.8.4 Simple Types

None.

3.1.4.8.5 Attributes

None.

3.1.4.8.6 Groups

None.

3.1.4.8.7 Attribute Groups

None.

3.1.4.9 HighlightStringValue

This operation is used by the protocol client to highlight all the occurrences of specified query terms in a specified **string** value by enclosing each of them within an open () and close () tag.

The following is the **WSDL** port type specification of the **HighlightStringValue WSDL operation**.

```
<wsdl:operation name="HighlightStringValue" xmlns:wsdl="http://schemas.xmlsoap.org/wsdl/">
  <wsdl:input
    wsaw:Action="http://tempuri.org/ISearchQueryServiceApplication/HighlightStringValue"
    message="tns:ISearchQueryServiceApplication HighlightStringValue InputMessage"
    xmlns:wsaw="http://www.w3.org/2006/05/addressing/wsdl"/>
  <wsdl:output
    wsaw:Action="http://tempuri.org/ISearchQueryServiceApplication/HighlightStringValueResponse"
    message="tns:ISearchQueryServiceApplication_HighlightStringValue_OutputMessage"
    xmlns:wsaw="http://www.w3.org/2006/05/addressing/wsdl"/>
  <wsdl:fault
    wsaw:Action="http://tempuri.org/ISearchQueryServiceApplication/HighlightStringValueSearchServiceApplicationFaultFault" name="SearchServiceApplicationFaultFault"
    message="tns:ISearchQueryServiceApplication_HighlightStringValue_SearchServiceApplicationFaultFault_FaultMessage" xmlns:wsaw="http://www.w3.org/2006/05/addressing/wsdl"/>
</wsdl:operation>
```

The protocol client sends an **ISearchQueryServiceApplication_HighlightStringValue_InputMessage** request message, as specified in section [3.1.4.9.1.1](#), and the protocol server responds with an **ISearchQueryServiceApplication_HighlightStringValue_OutputMessage** response message, as specified in section [3.1.4.9.1.2](#), as follows:

- On receipt, the protocol server returns the details of a string in which all the occurrences of query terms are highlighted.

- On error, the protocol server MUST send a **FaultException<ExceptionDetail>** message to the protocol client.

3.1.4.9.1 Messages

The following table summarizes the set of **WSDL message** definitions that are specific to this operation.

Message	Description
ISearchQueryServiceApplication_HighlightStringValue_InputMessage	The request WSDL message for the HighlightStringValue WSDL operation .
ISearchQueryServiceApplication_HighlightStringValue_OutputMessage	The response WSDL message for the HighlightStringValue WSDL operation .

3.1.4.9.1.1 ISearchQueryServiceApplication_HighlightStringValue_InputMessage

The request **WSDL message** for the **HighlightStringValue WSDL operation**.

The **SOAP action** value is:

```
http://tempuri.org/ISearchQueryServiceApplication/HighlightStringValue
```

The **SOAP body** contains the **HighlightStringValue** element.

3.1.4.9.1.2 ISearchQueryServiceApplication_HighlightStringValue_OutputMessage

The response **WSDL message** for the **HighlightStringValue WSDL operation**.

The **SOAP body** contains the **HighlightStringValueResponse** element.

3.1.4.9.2 Elements

The following table summarizes the **XML schema** element definitions that are specific to this operation.

Element	Description
HighlightStringValue	The input data for the HighlightStringValue WSDL operation .
HighlightStringValueResponse	The result data for the HighlightStringValue WSDL operation .

3.1.4.9.2.1 HighlightStringValue

The **HighlightStringValue** element specifies the input data for the **HighlightStringValue WSDL operation**.

```
<xs:element name="HighlightStringValue" xmlns:xs="http://www.w3.org/2001/XMLSchema">
  <xs:complexType>
    <xs:sequence>
```

```

    <xs:element xmlns:q2="http://www.microsoft.com/sharepoint/search/KnownTypes/2008/08"
minOccurs="0" name="properties" nillable="true" type="q2:QueryProperties"/>
    <xs:element minOccurs="0" name="strValue" nillable="true" type="xs:string"/>
    <xs:element minOccurs="0" name="fLastTermByPrefix" type="xs:boolean"/>
  </xs:sequence>
</xs:complexType>
</xs:element>

```

properties: Specifies the properties of the search query for which the **strValue** MUST be highlighted. The protocol client MUST specify the query terms in the **QueryText** element of the **QueryProperties** data type. The **QueryProperties** data type MUST be of **KeywordQueryProperties** or **FullTextSqlQueryProperties** type. If it is **KeywordQueryProperties**, the query terms apply to the whole **QueryText**. If this is **FullTextSqlQueryProperties**, the query terms apply to the **FREETEXT** predicate, as specified in [\[MS-SEARCH\]](#) section 2.2.13.3.1.2. For properties other than **QueryText**, the protocol server MUST send a **FaultException**<ExceptionDetail> message to the protocol client.

strValue: Specifies the value of the string to be highlighted.

fLastTermByPrefix: Specifies whether the last query **token** MUST be matched by prefix. If "true", any token in the **strValue** element that matches the prefix of the last token in the query MUST be highlighted; if "false", all tokens in **strValue** MUST be highlighted only if they match the query tokens exactly. When **stemming** is turned on, as specified in section [2.2.4.11](#), for the search query, stemming is applied to search terms so that even words in **strValue** matching the stemmed results of search terms MUST be highlighted. When a search term is matched by prefix, no stemming MUST be applied to this term.

3.1.4.9.2.2 HighlightStringValueResponse

The **HighlightStringValueResponse** element specifies the result data for the **HighlightStringValue WSDL operation**.

```

<xs:element name="HighlightStringValueResponse" xmlns:xs="http://www.w3.org/2001/XMLSchema">
  <xs:complexType>
    <xs:sequence>
      <xs:element xmlns:q2="http://www.microsoft.com/sharepoint/search/KnownTypes/2008/08"
minOccurs="0" name="HighlightStringValueResult" nillable="true" type="q2:HighlightedString"/>
    </xs:sequence>
  </xs:complexType>
</xs:element>

```

HighlightStringValueResult: Specifies the string in which search terms were highlighted. It MUST be of type **HighlightedString** as specified by section [2.2.4.8](#).

3.1.4.9.3 Complex Types

None.

3.1.4.9.4 Simple Types

None.

3.1.4.9.5 Attributes

None.

3.1.4.9.6 Groups

None.

3.1.4.9.7 Attribute Groups

None.

3.1.4.10 HighlightStringValueQuerySuggestions

This operation is used by the protocol client to highlight all the occurrences of specified query terms in a specified string value by enclosing each of them within an open () and close () tag in the context of query suggestions.

The following is the **WSDL** port type specification of the **HighlightStringValueQuerySuggestions WSDL operation**.

```
<wsdl:operation name="HighlightStringValueQuerySuggestions"
xmlns:wsdl="http://schemas.xmlsoap.org/wsdl/">
  <wsdl:input
wsaw:Action="http://tempuri.org/ISearchQueryServiceApplication/HighlightStringValueQuerySugge
stions"
message="tns:ISearchQueryServiceApplication_HighlightStringValueQuerySuggestions_InputMessage"
xmlns:wsaw="http://www.w3.org/2006/05/addressing/wsdl"/>
  <wsdl:output
wsaw:Action="http://tempuri.org/ISearchQueryServiceApplication/HighlightStringValueQuerySugge
stionsResponse"
message="tns:ISearchQueryServiceApplication_HighlightStringValueQuerySuggestions_OutputMessag
e" xmlns:wsaw="http://www.w3.org/2006/05/addressing/wsdl"/>
  <wsdl:fault
wsaw:Action="http://tempuri.org/ISearchQueryServiceApplication/HighlightStringValueQuerySugge
stionsSearchServiceApplicationFaultFault" name="SearchServiceApplicationFaultFault"
message="tns:ISearchQueryServiceApplication_HighlightStringValueQuerySuggestions_SearchServic
eApplicationFaultFault_FaultMessage" xmlns:wsaw="http://www.w3.org/2006/05/addressing/wsdl"/>
</wsdl:operation>
```

The protocol client sends an `ISearchQueryServiceApplication_HighlightStringValueQuerySuggestions_InputMessage` request message, as specified in section [3.1.4.10.1.1](#) and the protocol server responds with a `ISearchQueryServiceApplication_HighlightStringValueQuerySuggestions_OutputMessage` response message, as specified in section [3.1.4.10.1.2](#), as follows:

- On receipt, the protocol server returns the details of a string in which all the occurrences of query terms are highlighted.
- If the language of the specified query, according to the properties element of the request is Chinese, Japanese or Korean, the query terms that MUST be used to match and highlight in the string MUST be generated according to the rules of English, in other words based on white space.
- On error, the protocol server MUST send a **FaultException<ExceptionDetail>** message to the protocol client.

3.1.4.10.1 Messages

The following table summarizes the set of **WSDL message** definitions that are specific to this operation.

Message	Description
ISearchQueryServiceApplication_HighlightStringValueQuerySuggestions_InputMessage	The request WSDL message for the HighlightStringValueQuerySuggestions WSDL operation .

Message	Description
ISearchQueryServiceApplication_HighlightStringValueQuerySuggestions_OutputMessage	The response WSDL message for the HighlightStringValueQuerySuggestions WSDL operation.

3.1.4.10.1.1 ISearchQueryServiceApplication_HighlightStringValueQuerySuggestions_InputMessage

The request **WSDL message** for the **HighlightStringValueQuerySuggestions** **WSDL operation**.

The **SOAP action** value is:

```
http://tempuri.org/ISearchQueryServiceApplication/HighlightStringValueQuerySuggestions
```

The **SOAP body** contains the **HighlightStringValueQuerySuggestions** element.

3.1.4.10.1.2 ISearchQueryServiceApplication_HighlightStringValueQuerySuggestions_OutputMessage

The response **WSDL message** for the **HighlightStringValueQuerySuggestions** **WSDL operation**.

The **SOAP body** contains the **HighlightStringValueQuerySuggestionsResponse** element.

3.1.4.10.2 Elements

The following table summarizes the **XML schema** element definitions that are specific to this operation.

Element	Description
HighlightStringValueQuerySuggestions	The input data for the HighlightStringValueQuerySuggestions WSDL operation .
HighlightStringValueQuerySuggestionsResponse	The result data for the HighlightStringValueQuerySuggestions WSDL operation.

3.1.4.10.2.1 HighlightStringValueQuerySuggestions

The **HighlightStringValueQuerySuggestions** element specifies the input data for the **HighlightStringValueQuerySuggestions** **WSDL operation**.

```
<xs:element name="HighlightStringValueQuerySuggestions"
xmlns:xs="http://www.w3.org/2001/XMLSchema">
  <xs:complexType>
    <xs:sequence>
      <xs:element xmlns:q2="http://www.microsoft.com/sharepoint/search/KnownTypes/2008/08"
minOccurs="0" name="properties" nillable="true" type="q2:QueryProperties"/>
      <xs:element minOccurs="0" name="strValue" nillable="true" type="xs:string"/>
      <xs:element minOccurs="0" name="fLastTermByPrefix" type="xs:boolean"/>
    </xs:sequence>
  </xs:complexType>
</xs:element>
```

```
</xs:complexType>
</xs:element>
```

properties: Specifies the properties of the search query for which **strValue** MUST be highlighted. The protocol client MUST specify the query terms in the **QueryText** element of the QueryProperties data type, as specified in section [2.2.4.11](#). The QueryProperties data type can be KeywordQueryProperties as specified in section [3.1.4.7.3.1](#) or FullTextSqlQueryProperties as specified in section [2.2.4.7](#). If it is **KeywordQueryProperties**, the query terms apply to the whole **QueryText**. If this is **FullTextSqlQueryProperties**, the query terms apply to the **FREETEXT** predicate (as specified in [\[MS-SEARCH\]](#) section 2.2.13.3.1.2). For properties other than **QueryText**, the protocol server MUST send a **FaultException**<**ExceptionDetail**> message to the protocol client.

strValue: Specifies the value of the string to be highlighted.

fLastTermByPrefix: Specifies whether the last query token MUST be matched by prefix. If it is equal to "true", any token in the **strValue** element that matches the prefix of the last token in the query MUST be highlighted; if it is equal to "false", all tokens in the **strValue** MUST be highlighted only if they match the query tokens exactly. When stemming is turned on (see section 2.2.4.11) for the search query, stemming is applied to search terms so that even words in **strValue** matching the stemmed results of search terms are highlighted. When a search term is matched by prefix, no stemming MUST apply to this term.

3.1.4.10.2.2 HighlightStringValueQuerySuggestionsResponse

The **HighlightStringValueQuerySuggestionsResponse** element specifies the result data for the **HighlightStringValueQuerySuggestions** **WSDL operation**.

```
<xs:element name="HighlightStringValueQuerySuggestionsResponse"
  xmlns:xs="http://www.w3.org/2001/XMLSchema">
  <xs:complexType>
    <xs:sequence>
      <xs:element xmlns:q2="http://www.microsoft.com/sharepoint/search/KnownTypes/2008/08"
        minOccurs="0" name="HighlightStringValueQuerySuggestionsResult" nillable="true"
        type="q2:HighlightedString"/>
    </xs:sequence>
  </xs:complexType>
</xs:element>
```

HighlightStringValueQuerySuggestionsResult: Specifies the string in which search terms were highlighted. It MUST be of type **HighlightedString** as specified by section [2.2.4.8](#).

3.1.4.10.3 Complex Types

None.

3.1.4.10.4 Simple Types

None.

3.1.4.10.5 Attributes

None.

3.1.4.10.6 Groups

None.

3.1.4.10.7 Attribute Groups

None.

3.1.4.11 RecordClick

This operation MUST be used only when **PropertiesContractVersion** used to send search queries has a value of either 14.0.0.0 or 14.5.0.0. (section 2.2.4.11). In all other cases, the **RecordPageClick** operation (section 3.1.4.16) MUST be used instead of the **RecordClick** operation.

This operation is used by the protocol client to inform the protocol server that a **clickthrough** happened or the user navigated away from the page. When a clickthrough happens, the protocol client sends the details of the clickthrough and the **search query**, for which the **query result** was clicked, to the protocol server. When a user navigates away from the page, the protocol client sends the details of the search query to the protocol server.

The following is the **WSDL** port type specification of the **RecordClick WSDL operation**.

```
<wsdl:operation name="RecordClick" xmlns:wsdl="http://schemas.xmlsoap.org/wsdl/">
  <wsdl:input wsaw:Action="http://tempuri.org/ISearchQueryServiceApplication/RecordClick"
    message="tns:ISearchQueryServiceApplication_RecordClick_InputMessage"
    xmlns:wsaw="http://www.w3.org/2006/05/addressing/wsdl"/>
  <wsdl:output
    wsaw:Action="http://tempuri.org/ISearchQueryServiceApplication/RecordClickResponse"
    message="tns:ISearchQueryServiceApplication_RecordClick_OutputMessage"
    xmlns:wsaw="http://www.w3.org/2006/05/addressing/wsdl"/>
  <wsdl:fault
    wsaw:Action="http://tempuri.org/ISearchQueryServiceApplication/RecordClickSearchServiceApplicationFaultFault" name="SearchServiceApplicationFaultFault"
    message="tns:ISearchQueryServiceApplication_RecordClick_SearchServiceApplicationFaultFault_FaultMessage" xmlns:wsaw="http://www.w3.org/2006/05/addressing/wsdl"/>
</wsdl:operation>
```

The protocol client sends an **ISearchQueryServiceApplication_RecordClick_InputMessage** (section 3.1.4.11.1.1) request message and the protocol server responds with an **ISearchQueryServiceApplication_RecordClick_OutputMessage** (section 3.1.4.11.1.2) response message, as follows:

- On receipt of the **ISearchQueryServiceApplication_RecordClick_InputMessage** request message, the protocol server checks if the value of the **info.SearchTime** element is earlier than Jan 01, 1900 or later than Jun 5, 2079. If it is, and if query logging is not enabled, the protocol server MUST ignore the **info** element; if it is, and if query logging is enabled, the protocol server MUST return a **FaultException<ExceptionDetail>** message.
- The protocol server checks if the **info.NumResults** element is less than -2,147,483,648 or greater than 2,147,483,647. If it is, the protocol server MUST ignore the **info** element.
- On success, the protocol server stores the details of the clickthrough and its corresponding search query.
- On error, the protocol server MUST send a **FaultException<ExceptionDetail>** message to the protocol client.

3.1.4.11.1 Messages

The following table summarizes the set of **WSDL message** definitions that are specific to this operation.

Message	Description
ISearchQueryServiceApplication_RecordClick_InputMessage	The request WSDL message for the RecordClick WSDL operation .
ISearchQueryServiceApplication_RecordClick_OutputMessage	The response WSDL message for the RecordClick WSDL operation .

3.1.4.11.1.1 ISearchQueryServiceApplication_RecordClick_InputMessage

The request **WSDL message** for the **RecordClick WSDL operation**.

The **SOAP action** value is:

```
http://tempuri.org/ISearchQueryServiceApplication/RecordClick
```

The **SOAP body** contains the **RecordClick** element.

3.1.4.11.1.2 ISearchQueryServiceApplication_RecordClick_OutputMessage

The response **WSDL message** for the **RecordClick WSDL operation**.

The **SOAP body** contains the **RecordClickResponse** element.

3.1.4.11.2 Elements

The following table summarizes the **XML schema** element definitions that are specific to this operation.

Element	Description
RecordClick	The input data for the RecordClick WSDL operation .
RecordClickResponse	The result data for the RecordClick WSDL operation .

3.1.4.11.2.1 RecordClick

The **RecordClick** element specifies the input data for the **RecordClick WSDL operation**.

```
<xs:element name="RecordClick" xmlns:xs="http://www.w3.org/2001/XMLSchema">
  <xs:complexType>
    <xs:sequence>
      <xs:element xmlns:q2="http://www.microsoft.com/sharepoint/search/KnownTypes/2008/08"
        minOccurs="0" name="Info" nillable="true" type="q2:QueryInfo"/>
    </xs:sequence>
  </xs:complexType>
</xs:element>
```

Info: The details about the clickthrough and its corresponding **search query**.

3.1.4.11.2.2 RecordClickResponse

The **RecordClickResponse** element specifies the result data for the **RecordClick WSDL operation**.

```

<xs:element name="RecordClickResponse" xmlns:xs="http://www.w3.org/2001/XMLSchema">
  <xs:complexType>
    <xs:sequence/>
  </xs:complexType>
</xs:element>

```

3.1.4.11.3 Complex Types

The following table summarizes the **XML schema** complex type definitions that are specific to this operation.

Complex type	Description
QueryInfo	Information about the clickthrough and the corresponding search query

3.1.4.11.3.1 QueryInfo

Namespace: <http://www.microsoft.com/sharepoint/search/KnownTypes/2008/08>

The **QueryInfo** complex type contains the details about the clickthrough and its corresponding search query.

```

<xs:complexType name="QueryInfo" xmlns:xs="http://www.w3.org/2001/XMLSchema">
  <xs:sequence>
    <xs:element minOccurs="0" name="AdvancedSearch" type="xs:boolean"/>
    <xs:element minOccurs="0" name="BestBetClicked" nillable="true" type="xs:string"/>
    <xs:element minOccurs="0" name="ClickTime" type="xs:dateTime"/>
    <xs:element minOccurs="0" name="ClickedUrl" nillable="true" type="xs:string"/>
    <xs:element minOccurs="0" name="ClickedUrlRank" type="xs:int"/>
  </xs:sequence>
  xmlns:tns5="http://schemas.datacontract.org/2004/07/Microsoft.Office.Server.Search.Query"
  minOccurs="0" name="ClientType" type="tns5:QueryLogClientType"/>
  <xs:element minOccurs="0" name="ContextualScope" nillable="true" type="xs:string"/>
  <xs:element minOccurs="0" name="ContextualScopeUrl" nillable="true" type="xs:string"/>
  <xs:element minOccurs="0" name="ContinuedSession" type="xs:boolean"/>
  <xs:element minOccurs="0" name="Definitions" type="xs:boolean"/>
  <xs:element minOccurs="0" name="DidYouMean" nillable="true" type="xs:string"/>
  <xs:element minOccurs="0" name="DidYouMeanReturned" type="xs:boolean"/>
  <xs:element minOccurs="0" name="ItemsPerPage" type="xs:int"/>
  <xs:element minOccurs="0" name="Location" nillable="true" type="xs:string"/>
  </xs:element>
  xmlns:tns5="http://schemas.datacontract.org/2004/07/Microsoft.Office.Server.Search.Query"
  minOccurs="0" name="LogType" type="tns5:QueryLogType"/>
  <xs:element xmlns:q3="http://schemas.microsoft.com/2003/10/Serialization/Arrays"
  minOccurs="0" name="NonClickedUrls" nillable="true" type="q3:ArrayOfstring"/>
  <xs:element minOccurs="0" name="NumBestBets" type="xs:int"/>
  <xs:element minOccurs="0" name="NumHighConfidenceResults" type="xs:int"/>
  <xs:element minOccurs="0" name="NumResults" type="xs:long"/>
  <xs:element minOccurs="0" name="QueryCulture" nillable="true" type="xs:string"/>
  <xs:element minOccurs="0" name="QueryGuid" nillable="true" type="xs:string"/>
  <xs:element minOccurs="0" name="QueryServer" nillable="true" type="xs:string"/>
  <xs:element minOccurs="0" name="QueryString" nillable="true" type="xs:string"/>
  <xs:element minOccurs="0" name="ReferrerUrl" nillable="true" type="xs:string"/>
  <xs:element minOccurs="0" name="ResultView" type="xs:short"/>
  <xs:element minOccurs="0" name="ResultsUrl" nillable="true" type="xs:string"/>
  <xs:element xmlns:q3="http://schemas.microsoft.com/2003/10/Serialization/Arrays"
  minOccurs="0" name="Scopes" nillable="true" type="q3:ArrayOfstring"/>
  <xs:element minOccurs="0" name="SearchServiceApplicationID" nillable="true"
  type="xs:string"/>
  <xs:element minOccurs="0" name="SearchTime" type="xs:dateTime"/>
  <xs:element minOccurs="0" name="SessionId" nillable="true" type="xs:string"/>
  <xs:element minOccurs="0" name="SiteGuid" nillable="true" type="xs:string"/>

```

```

<xs:element minOccurs="0" name="StartItem" type="xs:int"/>
<xs:element minOccurs="0" name="TenantId" type="ser:guid"/>
<xs:element minOccurs="0" name="Title" nillable="true" type="xs:string"/>
<xs:element minOccurs="0" name="TotalResults" type="xs:long"/>
<xs:element minOccurs="0" name="UserName" nillable="true" type="xs:string"/>
</xs:sequence>
</xs:complexType>

```

AdvancedSearch: Specifies whether the **search query** was issued as an advanced search query. A value of "true" SHOULD indicate the search query was issued as an advanced search query. A value of "false" SHOULD indicate the search query was not issued as an advanced search query. The criteria of what constitutes an Advanced Search Query is implementation-specific.

BestBetClicked: Specifies whether a **best bet** result was clicked. A value of "true" SHOULD indicate best bet result was clicked. A value of "false" SHOULD indicate no best bet was clicked.

ClickTime: Specifies the date and time, in Coordinated Universal Time (UTC) format, at which the URI specified in **clickedUrl** was clicked. The value MUST be NULL if **clickedUrl** is NULL.

ClickedUrl: Specifies the URI of the query result that was clicked. The value MUST be NULL if search query information was logged in response to user navigating away from the search results page. The value MUST have the valid URI format, as specified in [\[RFC2396\]](#).

ClickedUrlRank: Specifies the position of the search result that was clicked among all search results. The value MUST be NULL if **clickedUrl** is NULL.

ClientType: Specifies the type of the query client. It MUST be of **QueryLogClientType** data type as specified in section [3.1.4.11.4.1](#).

ContextualScope: Specifies the **contextual search scope** under which the search query was executed.

ContextualScopeUrl: Specifies the URI of the contextual search scope. This value is used in search query to inform the protocol server of the contextual search scope to search from. The value MUST have the valid URI format, as specified in [\[RFC2396\]](#).

ContinuedSession: Specifies whether the info element is the first entry for this search query in the **search query log**. A value of "true" indicates it is not the first entry for this search query. A value of "false" indicates it is the first entry for this search query.

Definitions: Specifies whether an **extracted definition** result is clicked. A value of "true" SHOULD indicate an extracted definition was clicked. A value of "false" SHOULD indicate no extracted definition was clicked.

DidYouMean: Specifies the results that spelling suggestion returned.

DidYouMeanReturned: Specifies whether spelling suggestion returned result for the search query. A value of "true" SHOULD indicate spelling suggestion returned result for the search query. A value of "false" SHOULD indicate no result was returned by the spelling suggestion.

ItemsPerPage: Specifies the number of query results returned for the search query.

Location: Specifies the name of the **federated location** which the search query was executed against.

LogType: Specifies the type of the query log data. It differentiates between a query log for the query and a query log for the user click-throughs on the results of the query. The value MUST be of **QueryLogType** data type, as specified in section [3.1.4.11.4.2](#).

NonClickedUrls: Specifies the collection of URIs that the search query returned but were not clicked. The value of each URI in the collection MUST have the valid URI format, as specified in [RFC2396].

NumBestBets: Specifies the number of best bet results returned for the search query.

NumHighConfidenceResults: Specifies the number of **high confidence results** returned for the search query.

NumResults: Specifies the number of results returned for the search query.

QueryCulture: Specifies the name of the language culture of the search query. If present, the value MUST be a valid culture name, as specified in [RFC3066].

QueryGuid: Specifies the unique identifier of the **Web Part** that issued the search query. The value MUST be a **guid** data type, as specified in section 2.2.5.8.

QueryServer: Specifies the name of the server in which the search query was executed. The value MUST NOT contain more than 256 characters.

QueryString: Specifies the **query text** of the search query. The value MUST NOT contain more than 1024 characters.

ReferrerUrl: Specifies the URI of a page that contains the URI, which directs to the current page where clickthrough happened. The value MUST have a valid URI format specified in [RFC2396].

ResultView: Specifies the results sort view of the query results. The value MUST be the corresponding integer values of the ResultsView enum data type, as described in [MSDN-ResultsView].

ResultsUrl: Specifies the URI of the page where clickthrough happened. The value MUST have valid URI format specified in [RFC2396].

Scopes: Specifies the search scopes, under which the search query was executed.

SearchServiceApplicationID: Specifies a global unique identifier of the SearchServiceApplication.

SearchTime: Specifies the date and time, in Coordinated Universal Time (UTC) format, when the search query was executed.

SessionId: Specifies a unique identifier for the search session of a specific user in which the search query was sent. The value of this element is specific to the implementation of the protocol client.

SiteGuid: Specifies the unique identifier of the **site collection** from which the search request was executed. The value MUST be a valid **guid** type, as specified in section 2.2.5.8. The value of this element is specific to the implementation of the protocol client.

StartItem: Specifies a zero-based index of the first search result in the list of all search results the protocol server MUST return.

TenantId: Specifies the unique identifier for the **tenant** executing the search query. The value of this element is specific to the implementation of the protocol client.

Title: Specifies the title of the query result that was clicked.

TotalResults: This element MUST contain the total number of results that match the conditions given in the search query and are of the type specified in the **ResultType** element.

UserName: Specifies the name of the **user** who issued the search query.

3.1.4.11.4 Simple Types

The following table summarizes the **XML schema** simple type definitions that are specific to this operation.

Simple type	Description
QueryLogClientType	An application where the search query is sent from.
QueryLogType	A type of event that query logging records.

3.1.4.11.4.1 QueryLogClientType

Namespace: http://schemas.datacontract.org/2004/07/Microsoft.Office.Server.Search.Query

The **QueryLogClientType** simple type represents the place where the search query is sent from.

```
<xs:simpleType name="QueryLogClientType" xmlns:xs="http://www.w3.org/2001/XMLSchema">
  <xs:restriction base="xs:string">
    <xs:enumeration value="ObjectModel"/>
    <xs:enumeration value="WebService"/>
    <xs:enumeration value="UI"/>
    <xs:enumeration value="Custom"/>
    <xs:enumeration value="CSOM"/>
    <xs:enumeration value="RSS"/>
    <xs:enumeration value="Alerts"/>
    <xs:enumeration value="ObjectModelBackwardsCompatible"/>
    <xs:enumeration value="AllResultsQuery"/>
    <xs:enumeration value="PeopleResultsQuery"/>
    <xs:enumeration value="VideoResultsQuery"/>
    <xs:enumeration value="SiteResultsQuery_All"/>
    <xs:enumeration value="SiteResultsQuery_Docs"/>
    <xs:enumeration value="SiteResultsQuery_Sites"/>
    <xs:enumeration value="ContentSearchHigh"/>
    <xs:enumeration value="ContentSearchRegular"/>
    <xs:enumeration value="CatalogItemReuseQuery"/>
    <xs:enumeration value="ContentSearchLow"/>
    <xs:enumeration value="SearchWebPartConfiguration"/>
    <xs:enumeration value="DiscoverySearch"/>
    <xs:enumeration value="DiscoveryDownloadManager"/>
    <xs:enumeration value="DocsSharedWithMe"/>
    <xs:enumeration value="MyTaskSync"/>
    <xs:enumeration value="SEOSiteMapQuery"/>
    <xs:enumeration value="MySiteSecurityTrimmer"/>
    <xs:enumeration value="Monitoring"/>
    <xs:enumeration value="ReportsAndDataResultsQuery"/>
    <xs:enumeration value="InplaceListSearch"/>
    <xs:enumeration value="TrendingTagsQuery"/>
    <xs:enumeration value="QueryBoxSkyDrive"/>
    <xs:enumeration value="QueryBoxSearchLandingPage"/>
    <xs:enumeration value="SiteSearch"/>
    <xs:enumeration value="EnterpriseSearchCenter"/>
    <xs:enumeration value="BasicSearchCenter"/>
    <xs:enumeration value="SPHomeWeb"/>
    <xs:enumeration value="DelveAndroidMobile"/>
    <xs:enumeration value="DelveAppleMobile"/>
    <xs:enumeration value="DelveWeb"/>
    <xs:enumeration value="DelveWebTNarrow"/>
    <xs:enumeration value="DelveWindows"/>
    <xs:enumeration value="OneDriveWeb"/>
    <xs:enumeration value="Unknown"/>
  </xs:restriction>
</xs:simpleType>
```

The following table specifies the allowable values for the **QueryLogClientType** simple type.

Value	Meaning
ObjectModel	The search query is sent from the query object model .
WebService	The search query is sent from the web service.
UI	The search query is sent from a Web Part .
Custom	The search query is sent from a place which is not the query object model, web service or Web Part.
CSOM	The search query is sent through CSOM
RSS	The search query is used to retrieve RSS feeds
Alerts	MUST NOT be used
ObjectModelBackwardsCompatible	The search query is sent through backward compatible object model.
AllResultsQuery	The search query is sent from a Web Part that returns all results except people.
PeopleResultsQuery	The search query is sent from a Web Part that returns only people results.
VideoResultsQuery	The search query is sent from a Web Part that returns only video results.
SiteResultsQuery_All	The search query is sent from a Web Part that returns all results from a particular site.
SiteResultsQuery_Docs	The search query is sent from a Web Part that returns all document results from a particular site.
SiteResultsQuery_Sites	The search query is sent from a Web Part that returns all site results from a particular site.
ContentSearchHigh	The search query is sent from a Content Search Web Part where the priority is set to "high".
ContentSearchRegular	The search query is sent from a Content Search Web Part where the priority is set to "regular".
CatalogItemReuseQuery	The search query is sent from a Catalog Item Reuse Web Part. In a publishing scenario that involves connecting a catalog, a Catalog Item Reuse Web Part is created for item details pages.
ContentSearchLow	The search query is sent from a Content Search Web Part where the priority is set to "low".
SearchWebPartConfiguration	The search query is sent from the Query Builder and the Content Search Web Part.
DiscoverySearch	The search query is sent from a discovery center .
DiscoveryDownloadManager	The search query is sent from the Discovery Download Manager Tool which is used to download discovery results.
DocsSharedWithMe	The search query is used to retrieve documents that are shared with a particular user.
MyTaskSync	The search query is used to retrieve tasks for a particular user.
SEOSiteMapQuery	The search query is used to retrieve all results within a site to build a site map.
MySiteSecurityTrimmer	The search query is used to decide which URLs a user has access to.

Value	Meaning
Monitoring	This value MUST NOT be used.
ReportsAndDataResultsQuery	The search query is sent from a Web Part that returns results that represent data reports.
InplaceListSearch	The search query is sent from a Web Part that returns results from a particular list .
TrendingTagsQuery	The search query is used to retrieve popular hash tags.
QueryBoxSkyDrive	The search query is sent from a query box on sky drive.
QueryBoxSearchLandingPage	The search query is sent from a query box on a search landing page.
SiteSearch	The search query is sent from a query box on a site page.
EnterpriseSearchCenter	The search query is sent from the enterprise search center.
BasicSearchCenter	The search query is sent from the basic search center.
SPHomeWeb	The search query is sent from SharePoint home.
DelveAndroidMobile	The search query is sent from the Delve application running on an Android device.
DelveAppleMobile	The search query is sent from the Delve application running on an Apple device.
DelveWeb	The search query is sent from the Delve application running in a browser.
DelveWebTNarrow	The search query is sent from the Delve application running in a browser in the phone view.
DelveWindows	The search query is sent from the Delve application running on windows.
OneDriveWeb	The search query is sent from One Drive Web.
Unknown	The search query is sent from an unknown source.

3.1.4.11.4.2 QueryLogType

Namespace: <http://schemas.datacontract.org/2004/07/Microsoft.Office.Server.Search.Query>

The **QueryLogType** simple type represents the type of event that **query logging** records.

```
<xs:simpleType name="QueryLogType" xmlns:xs="http://www.w3.org/2001/XMLSchema">
  <xs:restriction base="xs:string">
    <xs:enumeration value="Click"/>
    <xs:enumeration value="Query"/>
  </xs:restriction>
</xs:simpleType>
```

The following table specifies the allowable values for the **QueryLogType** simple type.

Value	Meaning
Click	The type of event query logging records is a click on search results.

Value	Meaning
Query	The type of event query logging records is a search query.

3.1.4.11.5 Attributes

None.

3.1.4.11.6 Groups

None.

3.1.4.11.7 Attribute Groups

None.

3.1.4.12 RecordOMQueryDoneEvent

This operation is used by the protocol client to inform the protocol server about the latency for processing the **search query** on the protocol server, as reported by the protocol server in the **ExecuteResult** element of the **ExecuteResponse** message, as specified in section [3.1.4.1.2.2](#). The protocol client MUST collect this latency information for search queries executed within each time period determined by the protocol server and send it in a single message to the protocol server. [<68>](#)

The following is the **WSDL** port type specification of the **RecordOMQueryDoneEvent WSDL operation**.

```
<wsdl:operation name="RecordOMQueryDoneEvent" xmlns:wsdl="http://schemas.xmlsoap.org/wsdl/">
  <wsdl:input
    wsaw:Action="http://tempuri.org/ISearchQueryServiceApplication/RecordOMQueryDoneEvent"
    message="tns:ISearchQueryServiceApplication_RecordOMQueryDoneEvent_InputMessage"
    xmlns:wsaw="http://www.w3.org/2006/05/addressing/wsdl"/>
  <wsdl:output
    wsaw:Action="http://tempuri.org/ISearchQueryServiceApplication/RecordOMQueryDoneEventResponse"
    message="tns:ISearchQueryServiceApplication_RecordOMQueryDoneEvent_OutputMessage"
    xmlns:wsaw="http://www.w3.org/2006/05/addressing/wsdl"/>
  <wsdl:fault
    wsaw:Action="http://tempuri.org/ISearchQueryServiceApplication/RecordOMQueryDoneEventSearchServiceApplicationFaultFault"
    name="SearchServiceApplicationFaultFault"
    message="tns:ISearchQueryServiceApplication_RecordOMQueryDoneEvent_SearchServiceApplicationFaultFault_FaultMessage"
    xmlns:wsaw="http://www.w3.org/2006/05/addressing/wsdl"/>
</wsdl:operation>
```

The protocol client sends an **ISearchQueryServiceApplication_RecordOMQueryDoneEvent_InputMessage** request message, as specified in section [3.1.4.12.1.1](#), and the protocol server responds with an **ISearchQueryServiceApplication_RecordOMQueryDoneEvent_OutputMessage** response message, as specified in section [3.1.4.12.1.2](#), as follows:

- On successfully processing the search query latency, the protocol server returns whether verbose query monitoring is turned on for the **search service application**.
- On error, the protocol server MUST send a **FaultException<ExceptionDetail>** message to the protocol client.

3.1.4.12.1 Messages

The following table summarizes the set of **WSDL message** definitions that are specific to this operation.

Message	Description
ISearchQueryServiceApplication_RecordOMQueryDoneEvent_InputMessage	The request WSDL message for the RecordOMQueryDoneEvent WSDL operation .
ISearchQueryServiceApplication_RecordOMQueryDoneEvent_OutputMessage	The response WSDL message for the RecordOMQueryDoneEvent WSDL operation .

3.1.4.12.1.1 ISearchQueryServiceApplication_RecordOMQueryDoneEvent_InputMessage

The request **WSDL message** for the **RecordOMQueryDoneEvent WSDL operation**.

The **SOAP action** value is:

```
http://tempuri.org/ISearchQueryServiceApplication/RecordOMQueryDoneEvent
```

The **SOAP body** contains the **RecordOMQueryDoneEvent** element.

3.1.4.12.1.2 ISearchQueryServiceApplication_RecordOMQueryDoneEvent_OutputMessage

The response **WSDL message** for the **RecordOMQueryDoneEvent WSDL operation**.

The **SOAP body** contains the **RecordOMQueryDoneEventResponse** element.

3.1.4.12.2 Elements

The following table summarizes the **XML schema** element definitions that are specific to this operation.

Element	Description
RecordOMQueryDoneEvent	The input data for the RecordOMQueryDoneEvent WSDL operation .
RecordOMQueryDoneEventResponse	The result data for the RecordOMQueryDoneEvent WSDL operation .

3.1.4.12.2.1 RecordOMQueryDoneEvent

The **RecordOMQueryDoneEvent** element specifies the input data for the **RecordOMQueryDoneEvent WSDL operation**.

```
<xs:element name="RecordOMQueryDoneEvent" xmlns:xs="http://www.w3.org/2001/XMLSchema">
  <xs:complexType>
    <xs:sequence>
```

```

    <xs:element xmlns:q2="http://www.microsoft.com/sharepoint/search/KnownTypes/2008/08"
minOccurs="0" name="buffer" nillable="true" type="q2:OMQueryLatencyDataBuffer"/>
  </xs:sequence>
</xs:complexType>
</xs:element>

```

buffer: Specifies the latency for processing the query on the protocol server. It contains aggregated latency information as well as verbose latency information of every single search query.

3.1.4.12.2.2 RecordOMQueryDoneEventResponse

The **RecordOMQueryDoneEventResponse** element specifies the result data for the **RecordOMQueryDoneEvent** **WSDL operation**.

```

<xs:element name="RecordOMQueryDoneEventResponse"
xmlns:xs="http://www.w3.org/2001/XMLSchema">
  <xs:complexType>
    <xs:sequence>
      <xs:element minOccurs="0" name="RecordOMQueryDoneEventResult" type="xs:boolean"/>
    </xs:sequence>
  </xs:complexType>
</xs:element>

```

RecordOMQueryDoneEventResult: Specifies whether the verbose query monitoring is turned on for the search service application. The protocol server **MUST** return "true" if it is turned on; the protocol server **MUST** return "false" if it is turned off. If "true" is returned, in the subsequent call the protocol client **MUST** include verbose and aggregated query latency information in the **buffer** element; if "false" is returned, in the subsequent call the protocol client **MUST** only include aggregated query latency information in the **buffer** element.

3.1.4.12.3 Complex Types

None.

3.1.4.12.4 Simple Types

None.

3.1.4.12.5 Attributes

None.

3.1.4.12.6 Groups

None.

3.1.4.12.7 Attribute Groups

None.

3.1.4.13 RecordQueryErrorEvent

This operation [<69>](#) is used by the protocol client to inform the protocol server of any errors that occurred during the processing of **search queries** in the protocol client. The protocol client **MUST** collect the error information for all queries executed within each time period determined by the protocol server and send them in a single message.

The following is the **WSDL** port type specification of the **RecordQueryErrorEvent WSDL operation**.

```
<wsdl:operation name="RecordQueryErrorEvent" xmlns:wsdl="http://schemas.xmlsoap.org/wsdl/">
  <wsdl:input
    wsaw:Action="http://tempuri.org/ISearchQueryServiceApplication/RecordQueryErrorEvent"
    message="tns:ISearchQueryServiceApplication_RecordQueryErrorEvent_InputMessage"
    xmlns:wsaw="http://www.w3.org/2006/05/addressing/wsdl"/>
  <wsdl:output
    wsaw:Action="http://tempuri.org/ISearchQueryServiceApplication/RecordQueryErrorEventResponse"
    message="tns:ISearchQueryServiceApplication_RecordQueryErrorEvent_OutputMessage"
    xmlns:wsaw="http://www.w3.org/2006/05/addressing/wsdl"/>
  <wsdl:fault
    wsaw:Action="http://tempuri.org/ISearchQueryServiceApplication/RecordQueryErrorEventSearchServiceApplicationFaultFault" name="SearchServiceApplicationFaultFault"
    message="tns:ISearchQueryServiceApplication_RecordQueryErrorEvent_SearchServiceApplicationFaultFault_FaultMessage" xmlns:wsaw="http://www.w3.org/2006/05/addressing/wsdl"/>
</wsdl:operation>
```

The protocol client sends an **ISearchQueryServiceApplication_RecordQueryErrorEvent_InputMessage** request message, as specified in section [3.1.4.13.1.1](#), and the protocol server responds with an **ISearchQueryServiceApplication_RecordQueryErrorEvent_OutputMessage** response message, as specified in section [3.1.4.13.1.2](#), as follows:

- On successfully processing the error information, the protocol server returns whether **verbose query monitoring** is turned on for the search application or not.
- On error, the protocol server MUST send a **FaultException<ExceptionDetail>** message to the protocol client.

3.1.4.13.1 Messages

The following table summarizes the set of **WSDL message** definitions that are specific to this operation.

Message	Description
ISearchQueryServiceApplication_RecordQueryErrorEvent_InputMessage	The request WSDL message for the RecordQueryErrorEvent WSDL operation .
ISearchQueryServiceApplication_RecordQueryErrorEvent_OutputMessage	The response WSDL message for the RecordQueryErrorEvent WSDL operation .

3.1.4.13.1.1 ISearchQueryServiceApplication_RecordQueryErrorEvent_InputMessage

The request **WSDL message** for the **RecordQueryErrorEvent WSDL operation**.

The **SOAP action** value is:

```
http://tempuri.org/ISearchQueryServiceApplication/RecordQueryErrorEvent
```

The **SOAP body** contains the **RecordQueryErrorEvent** element.

3.1.4.13.1.2 ISearchQueryServiceApplication_RecordQueryErrorEvent_OutputMessage

The response **WSDL message** for the **RecordQueryErrorEvent WSDL operation**.

The **SOAP body** contains the **RecordQueryErrorEventResponse** element.

3.1.4.13.2 Elements

The following table summarizes the **XML schema** element definitions that are specific to this operation.

Element	Description
RecordQueryErrorEvent	The input data for the RecordQueryErrorEvent WSDL operation .
RecordQueryErrorEventResponse	The result data for the RecordQueryErrorEvent WSDL operation .

3.1.4.13.2.1 RecordQueryErrorEvent

The **RecordQueryErrorEvent** element specifies the input data for the **RecordQueryErrorEvent WSDL operation**.

```
<xs:element name="RecordQueryErrorEvent" xmlns:xs="http://www.w3.org/2001/XMLSchema">
  <xs:complexType>
    <xs:sequence>
      <xs:element xmlns:q2="http://www.microsoft.com/sharepoint/search/KnownTypes/2008/08"
        minOccurs="0" name="buffer" nillable="true" type="q2:QueryErrorDataBuffer"/>
    </xs:sequence>
  </xs:complexType>
</xs:element>
```

buffer: Specifies a list of information for errors that occurred during the processing of all **search queries** executed within a time period determined by the protocol server, in the protocol client. Each entry in the list corresponds to an error.

3.1.4.13.2.2 RecordQueryErrorEventResponse

The **RecordQueryErrorEventResponse** element specifies the result data for the **RecordQueryErrorEvent WSDL operation**.

```
<xs:element name="RecordQueryErrorEventResponse" xmlns:xs="http://www.w3.org/2001/XMLSchema">
  <xs:complexType>
    <xs:sequence>
      <xs:element minOccurs="0" name="RecordQueryErrorEventResult" type="xs:boolean"/>
    </xs:sequence>
  </xs:complexType>
</xs:element>
```

RecordQueryErrorEventResult: Specifies whether the **verbose query monitoring** for the search application is turned on. The protocol server **MUST** return "true" if it is turned on; the protocol server **MUST** return "false" if it is turned off. If the protocol server returns "false", subsequent calls to the protocol server **MUST NOT** include any error information in **QueryErrorDataBuffer** (section [2.2.4.26](#)). If the protocol server returns "true", subsequent calls to the protocol server **MUST** include error information in **QueryErrorDataBuffer**.

3.1.4.13.3 Complex Types

None.

3.1.4.13.4 Simple Types

None.

3.1.4.13.5 Attributes

None.

3.1.4.13.6 Groups

None.

3.1.4.13.7 Attribute Groups

None.

3.1.4.14 RecordUIQueryDoneEvent

This operation [<70>](#) is used to inform the protocol server about the **search query** latency of the search results page. The protocol client MUST collect the latency information for all search queries executed in each time period determined by the protocol server and send it in a single message to the protocol server.

The following is the **WSDL** port type specification of the **RecordUIQueryDoneEvent WSDL operation**.

```
<wsdl:operation name="RecordUIQueryDoneEvent" xmlns:wsdl="http://schemas.xmlsoap.org/wsdl/">
  <wsdl:input
    wsaw:Action="http://tempuri.org/ISearchQueryServiceApplication/RecordUIQueryDoneEvent"
    message="tns:ISearchQueryServiceApplication_RecordUIQueryDoneEvent_InputMessage"
    xmlns:wsaw="http://www.w3.org/2006/05/addressing/wsdl"/>
  <wsdl:output
    wsaw:Action="http://tempuri.org/ISearchQueryServiceApplication/RecordUIQueryDoneEventResponse"
    message="tns:ISearchQueryServiceApplication_RecordUIQueryDoneEvent_OutputMessage"
    xmlns:wsaw="http://www.w3.org/2006/05/addressing/wsdl"/>
  <wsdl:fault
    wsaw:Action="http://tempuri.org/ISearchQueryServiceApplication/RecordUIQueryDoneEventSearchServiceApplicationFaultFault" name="SearchServiceApplicationFaultFault"
    message="tns:ISearchQueryServiceApplication_RecordUIQueryDoneEvent_SearchServiceApplicationFaultFault_FaultMessage"
    xmlns:wsaw="http://www.w3.org/2006/05/addressing/wsdl"/>
</wsdl:operation>
```

The protocol client sends an **ISearchQueryServiceApplication_RecordUIQueryDoneEvent_InputMessage request message**, as specified in section [3.1.4.14.1.1](#), and the protocol server responds with an **ISearchQueryServiceApplication_RecordUIQueryDoneEvent_OutputMessage response message**, as specified in section [3.1.4.14.1.2](#), as follows:

- On successful processing the search query latency of the results page, the protocol server returns whether **verbose query monitoring** is turned on for the search application or not.
- On error, the protocol server MUST send a **FaultException<ExceptionDetail>** message to the protocol client.

3.1.4.14.1 Messages

The following table summarizes the set of **WSDL message** definitions that are specific to this operation.

Message	Description
ISearchQueryServiceApplication_RecordUIQueryDoneEvent_InputMessage	The request WSDL message for the RecordUIQueryDoneEvent WSDL operation .
ISearchQueryServiceApplication_RecordUIQueryDoneEvent_OutputMessage	The response WSDL message for the RecordUIQueryDoneEvent WSDL operation .

3.1.4.14.1.1 ISearchQueryServiceApplication_RecordUIQueryDoneEvent_InputMessage

The request **WSDL message** for the **RecordUIQueryDoneEvent WSDL operation**.

The **SOAP action** value is:

```
http://tempuri.org/ISearchQueryServiceApplication/RecordUIQueryDoneEvent
```

The **SOAP body** contains the **RecordUIQueryDoneEvent** element.

3.1.4.14.1.2 ISearchQueryServiceApplication_RecordUIQueryDoneEvent_OutputMessage

The response **WSDL message** for the **RecordUIQueryDoneEvent WSDL operation**.

The **SOAP body** contains the **RecordUIQueryDoneEventResponse** element.

3.1.4.14.2 Elements

The following table summarizes the **XML schema** element definitions that are specific to this operation.

Element	Description
RecordUIQueryDoneEvent	The input data for the RecordUIQueryDoneEvent WSDL operation .
RecordUIQueryDoneEventResponse	The result data for the RecordUIQueryDoneEvent WSDL operation .

3.1.4.14.2.1 RecordUIQueryDoneEvent

The **RecordUIQueryDoneEvent** element specifies the input data for the **RecordUIQueryDoneEvent WSDL operation**.

```
<xs:element name="RecordUIQueryDoneEvent" xmlns:xs="http://www.w3.org/2001/XMLSchema">
  <xs:complexType>
    <xs:sequence>
      <xs:element xmlns:q2="http://www.microsoft.com/sharepoint/search/KnownTypes/2008/08"
        minOccurs="0" name="buffer" nillable="true" type="q2:UIQueryLatencyDataBuffer"/>
    </xs:sequence>
  </xs:complexType>
</xs:element>
```

```
</xs:sequence>
</xs:complexType>
</xs:element>
```

buffer: Specifies the **search query** latency of the search results page. It MUST contain aggregated latency information. When **verbose query monitoring** is turned on for the search application, it MUST also contain verbose latency information for every single search query.

3.1.4.14.2 RecordUIQueryDoneEventResponse

The **RecordUIQueryDoneEventResponse** element specifies the result data for the **RecordUIQueryDoneEvent** **WSDL operation**.

```
<xs:element name="RecordUIQueryDoneEventResponse"
xmlns:xs="http://www.w3.org/2001/XMLSchema">
  <xs:complexType>
    <xs:sequence>
      <xs:element minOccurs="0" name="RecordUIQueryDoneEventResult" type="xs:boolean"/>
    </xs:sequence>
  </xs:complexType>
</xs:element>
```

RecordUIQueryDoneEventResult: Specifies whether **verbose query monitoring** is turned on for search application. The protocol server MUST return "true" if it is turned on; the protocol MUST return "false" if it is turned off. If "true" was returned, in the subsequent call the protocol client MUST include both aggregated and verbose query latency information in the **buffer** element; if "false" is returned, in the subsequent call the protocol client MUST only include aggregated query latency information in the **buffer** element.

3.1.4.14.3 Complex Types

None.

3.1.4.14.4 Simple Types

None.

3.1.4.14.5 Attributes

None.

3.1.4.14.6 Groups

None.

3.1.4.14.7 Attribute Groups

None.

3.1.4.15 RecordWebPartQueryDoneEvent

This operation [<71>](#) is used by the protocol client to inform the protocol server about the **search query** latency of the **Web Parts** on the search results page. The protocol client MUST collect the latency information for search queries executed within each time period determined by the protocol server and send it in a single message to the protocol server.

The following is the **WSDL** port type specification of the **RecordWebPartQueryDoneEvent WSDL operation**.

```
<wsdl:operation name="RecordWebPartQueryDoneEvent"
xmlns:wsdl="http://schemas.xmlsoap.org/wsdl/">
  <wsdl:input
wsaw:Action="http://tempuri.org/ISearchQueryServiceApplication/RecordWebPartQueryDoneEvent"
message="tns:ISearchQueryServiceApplication_RecordWebPartQueryDoneEvent_InputMessage"
xmlns:wsaw="http://www.w3.org/2006/05/addressing/wsdl"/>
  <wsdl:output
wsaw:Action="http://tempuri.org/ISearchQueryServiceApplication/RecordWebPartQueryDoneEventRes
ponse" message="tns:ISearchQueryServiceApplication_RecordWebPartQueryDoneEvent_OutputMessage"
xmlns:wsaw="http://www.w3.org/2006/05/addressing/wsdl"/>
  <wsdl:fault
wsaw:Action="http://tempuri.org/ISearchQueryServiceApplication/RecordWebPartQueryDoneEventSea
rchServiceApplicationFaultFault" name="SearchServiceApplicationFaultFault"
message="tns:ISearchQueryServiceApplication_RecordWebPartQueryDoneEvent_SearchServiceApplicat
ionFaultFault_FaultMessage" xmlns:wsaw="http://www.w3.org/2006/05/addressing/wsdl"/>
</wsdl:operation>
```

The protocol client sends an **ISearchQueryServiceApplication_RecordWebPartQueryDoneEvent_InputMessage request message**, as specified in section [3.1.4.15.1.1](#), and the protocol server responds with an **ISearchQueryServiceApplication_RecordWebPartQueryDoneEvent_OutputMessage response message**, as specified in section [3.1.4.15.1.2](#), as follows:

- On successfully processing the search query latency of the Web Parts, the protocol server returns a message that indicates whether **verbose query monitoring** is turned on for the search service application or not.
- On error, the protocol server MUST return a **FaultException<ExceptionDetail>** message to the protocol client.

3.1.4.15.1 Messages

The following table summarizes the set of **WSDL message** definitions that are specific to this operation.

Message	Description
ISearchQueryServiceApplication_RecordWebPartQueryDoneEvent_InputMessage	The request WSDL message for the RecordWebPartQueryDoneEvent WSDL operation .
ISearchQueryServiceApplication_RecordWebPartQueryDoneEvent_OutputMessage	The response WSDL message for the RecordWebPartQueryDoneEvent WSDL operation .

3.1.4.15.1.1 ISearchQueryServiceApplication_RecordWebPartQueryDoneEvent_Input Message

The request **WSDL message** for the **RecordWebPartQueryDoneEvent WSDL operation**.

The **SOAP action** value is:

http://tempuri.org/ISearchQueryServiceApplication/RecordWebPartQueryDoneEvent

The **SOAP body** contains the **RecordWebPartQueryDoneEvent** element.

3.1.4.15.1.2 ISearchQueryServiceApplication_RecordWebPartQueryDoneEvent_OutputMessage

The response **WSDL message** for the **RecordWebPartQueryDoneEvent WSDL operation**.

The **SOAP body** contains the **RecordWebPartQueryDoneEventResponse** element.

3.1.4.15.2 Elements

The following table summarizes the **XML schema** element definitions that are specific to this operation.

Element	Description
RecordWebPartQueryDoneEvent	The input data for the RecordWebPartQueryDoneEvent WSDL operation .
RecordWebPartQueryDoneEventResponse	The result data for the RecordWebPartQueryDoneEvent WSDL operation .

3.1.4.15.2.1 RecordWebPartQueryDoneEvent

The **RecordWebPartQueryDoneEvent** element specifies the input data for the **RecordWebPartQueryDoneEvent WSDL operation**.

```
<xs:element name="RecordWebPartQueryDoneEvent" xmlns:xs="http://www.w3.org/2001/XMLSchema">
  <xs:complexType>
    <xs:sequence>
      <xs:element xmlns:q2="http://www.microsoft.com/sharepoint/search/KnownTypes/2008/08"
minOccurs="0" name="buffer" nillable="true" type="q2:WebPartQueryLatencyDataBuffer"/>
    </xs:sequence>
  </xs:complexType>
</xs:element>
```

buffer: Specifies the verbose search query latency of the **Web Parts**.

3.1.4.15.2.2 RecordWebPartQueryDoneEventResponse

The **RecordWebPartQueryDoneEventResponse** element specifies the result data for the **RecordWebPartQueryDoneEvent WSDL operation**.

```
<xs:element name="RecordWebPartQueryDoneEventResponse"
xmlns:xs="http://www.w3.org/2001/XMLSchema">
  <xs:complexType>
    <xs:sequence>
      <xs:element minOccurs="0" name="RecordWebPartQueryDoneEventResult" type="xs:boolean"/>
    </xs:sequence>
  </xs:complexType>
</xs:element>
```

RecordWebPartQueryDoneEventResult: Specifies whether **verbose query monitoring** is turned on for the **search service application**. The protocol server MUST return "true" if it is turned on; the protocol server MUST return "false" if it is turned off. If "true" is returned, in the subsequent call the protocol client MUST send the search query latency of the **Web Parts** to the protocol server; if "false" was returned, in the subsequent call the protocol client MUST NOT send the search query latency of the Web Parts to the protocol server.

3.1.4.15.3 Complex Types

None.

3.1.4.15.4 Simple Types

None.

3.1.4.15.5 Attributes

None.

3.1.4.15.6 Groups

None.

3.1.4.15.7 Attribute Groups

None.

3.1.4.16 RecordPageClick

This operation [<72>](#) is used by the protocol client to inform the protocol server that a user clicked a **query result** on a page. When a click happens, the protocol client sends the details about the click and the **page impression** for which the query result was clicked to the protocol server. This operation MUST NOT be used if no query logging information is returned for a query. Also this operation MUST NOT be used if a user clicks a query result for which **query logging** information was not returned (section [3.1.1.6](#)).

The following is the **WSDL** port type specification of the **RecordPageClick WSDL operation**.

```
<wsdl:operation name="RecordPageClick" xmlns:wsdl="http://schemas.xmlsoap.org/wsdl/">
  <wsdl:input wsaw:Action="http://tempuri.org/ISearchQueryServiceApplication/RecordPageClick"
    message="tns:ISearchQueryServiceApplication_RecordPageClick_InputMessage"
    xmlns:wsaw="http://www.w3.org/2006/05/addressing/wsdl"/>
  <wsdl:output
    wsaw:Action="http://tempuri.org/ISearchQueryServiceApplication/RecordPageClickResponse"
    message="tns:ISearchQueryServiceApplication_RecordPageClick_OutputMessage"
    xmlns:wsaw="http://www.w3.org/2006/05/addressing/wsdl"/>
  <wsdl:fault
    wsaw:Action="http://tempuri.org/ISearchQueryServiceApplication/RecordPageClickSearchServiceAp
    plicationFaultFault" name="SearchServiceApplicationFaultFault"
    message="tns:ISearchQueryServiceApplication_RecordPageClick_SearchServiceApplicationFaultFaul
    t_FaultMessage" xmlns:wsaw="http://www.w3.org/2006/05/addressing/wsdl"/>
</wsdl:operation>
```

The protocol client sends an **ISearchQueryServiceApplication_RecordPageClick_InputMessage** (section [3.1.4.16.1.1](#)) **request message** and the protocol server responds with an **ISearchQueryServiceApplication_RecordPageClick_OutputMessage** (section [3.1.4.16.1.2](#)) **response message**, as follows:

- On success, the protocol server stores the details of the click.

- On error, the protocol server MUST send a **FaultException<ExceptionDetail>** message to the protocol client.

3.1.4.16.1 Messages

The following table summarizes the set of **WSDL message** definitions that are specific to this operation.

Message	Description
ISearchQueryServiceApplication_RecordPageClick_InputMessage	The request WSDL message for the RecordPageClick WSDL operation .
ISearchQueryServiceApplication_RecordPageClick_OutputMessage	The response WSDL message for the RecordPageClick WSDL operation .

3.1.4.16.1.1 ISearchQueryServiceApplication_RecordPageClick_InputMessage

The request **WSDL message** for the **RecordPageClick WSDL operation**.

The **SOAP action** value is:

```
http://tempuri.org/ISearchQueryServiceApplication/RecordPageClick
```

The **SOAP body** contains the **RecordPageClick** element.

3.1.4.16.1.2 ISearchQueryServiceApplication_RecordPageClick_OutputMessage

The response **WSDL message** for the **RecordPageClick WSDL operation**.

The **SOAP body** contains the **RecordPageClickResponse** element.

3.1.4.16.2 Elements

The following table summarizes the **XML schema** element definitions that are specific to this operation.

Element	Description
RecordPageClick	The input data for the RecordPageClick WSDL operation .
RecordPageClickResponse	The result data for the RecordPageClick WSDL operation .

3.1.4.16.2.1 RecordPageClick

The **RecordPageClick** element specifies the input data for the **RecordPageClick WSDL operation**.

```
<xs:element name="RecordPageClick" xmlns:xs="http://www.w3.org/2001/XMLSchema">
  <xs:complexType>
    <xs:sequence>
      <xs:element
        xmlns:tns5="http://schemas.datacontract.org/2004/07/Microsoft.Office.Server.Search.Query"
        minOccurs="0" name="click" nillable="true" type="tns5:QueryLogPageClick"/>
    </xs:sequence>
  </xs:complexType>
</xs:element>
```

```

<xs:element
xmlns:tns5="http://schemas.datacontract.org/2004/07/Microsoft.Office.Server.Search.Query"
minOccurs="0" name="immediacy" nillable="true" type="tns5:QueryLogImmediacyInfo"/>
</xs:sequence>
</xs:complexType>
</xs:element>

```

click: Data on the clicked **query result**.

immediacy: Additional data about the clicked query result which is logged separately from **query logging** and is used by query suggestions.

3.1.4.16.2.2 RecordPageClickResponse

The **RecordPageClickResponse** element specifies the result data for the **RecordPageClick WSDL operation**.

```

<xs:element name="RecordPageClickResponse" xmlns:xs="http://www.w3.org/2001/XMLSchema">
<xs:complexType>
<xs:sequence/>
</xs:complexType>
</xs:element>

```

3.1.4.16.3 Complex Types

The following table summarizes the **XML schema** complex type definitions that are specific to this operation.

Complex type	Description
QueryLogImmediacyInfo	Additional data about the clicked query result
QueryLogPageClick	Data about the clicked query result

3.1.4.16.3.1 QueryLogPageClick

Namespace: <http://schemas.datacontract.org/2004/07/Microsoft.Office.Server.Search.Query>

The **QueryLogPageClick** complex type contains the details about the clicked **query result** and the corresponding **page impression**.

```

<xs:complexType name="QueryLogPageClick" xmlns:xs="http://www.w3.org/2001/XMLSchema">
<xs:sequence>
<xs:element minOccurs="0" name="BlockType" type="xs:unsignedByte"/>
<xs:element minOccurs="0" name="ClickTime" type="xs:dateTime"/>
<xs:element minOccurs="0" name="ClickType" type="tns5:QueryLogClickType"/>
<xs:element minOccurs="0" name="PageImpressionId" type="xs:long"/>
<xs:element minOccurs="0" name="PartitionBucket" type="xs:short"/>
<xs:element minOccurs="0" name="ResultPosition" type="xs:int"/>
<xs:element minOccurs="0" name="SubResultIndex" type="xs:unsignedByte"/>
</xs:sequence>
</xs:complexType>

```

BlockType: Type of query results in the page impression block (section [3.1.1.6](#)).

ClickTime: Local time when the query result was clicked.

ClickType: Type of clicks. If a particular query result is clicked then the click type returned by the search service for this query result MUST be used. If "more" link is clicked then "ClickMore" click type MUST be used.

PageImpressionId: Identifier of the page impression assigned to the search query.

PartitionBucket: Partition bucket assigned to the search query (section 3.1.1.6).

ResultPosition: Position of a query result within a block. Position is assigned to each query result at the time of page impression logging and is returned for each query result (section 3.1.1.6).

SubResultIndex: The index of the document associated with search result. MUST be 0 if search result is clicked or MUST be a 1-based index of a document returned in **deeplinks** column of a corresponding **ResultTable**. Documents in **deeplinks** column are represented as encoded URLs separated by spaces.

3.1.4.16.3.2 QueryLogImmediacyInfo

Namespace: http://schemas.datacontract.org/2004/07/Microsoft.Office.Server.Search.Query

The **QueryLogImmediacyInfo** complex type contains additional data about the clicked **query result** if it is requested by the search service (section [3.1.1.6](#)).

```
<xs:complexType name="QueryLogImmediacyInfo" xmlns:xs="http://www.w3.org/2001/XMLSchema">
  <xs:sequence>
    <xs:element minOccurs="0" name="LCID" type="xs:int"/>
    <xs:element minOccurs="0" name="QueryString" nillable="true" type="xs:string"/>
    <xs:element minOccurs="0" name="SiteGuid" type="ser:guid"/>
    <xs:element minOccurs="0" name="SourceId" type="ser:guid"/>
    <xs:element minOccurs="0" name="TenantId" type="ser:guid"/>
    <xs:element minOccurs="0" name="Title" nillable="true" type="xs:string"/>
    <xs:element minOccurs="0" name="Url" nillable="true" type="xs:string"/>
    <xs:element minOccurs="0" name="UserName" nillable="true" type="xs:string"/>
    <xs:element minOccurs="0" name="WebGuid" type="ser:guid"/>
  </xs:sequence>
</xs:complexType>
```

LCID: **Language code identifier (LCID)** of the **search query** which is returned by search service with **page impression** data.

QueryString: Specifies the **query text** of the search query.

SiteGuid: Unique identifier of the site collection.

SourceId: Unique identifier of the **result source**.

TenantId: Partition identifier. This value MUST NOT be NULL. For non-partitioned configuration MUST be set to '0C37852B-34D0-418E-91C6-2AC25AF4BE5B'.

Title: Title of the clicked query result.

Url: URL of the clicked query result.

UserName: The name of the **user** who issued the search query.

WebGuid: The unique identifier of the site.

3.1.4.16.4 Simple Types

The following table summarizes the **XML schema** simple type definitions that are specific to this operation.

Simple type	Description
QueryLogClickType	Type of clicks

3.1.4.16.4.1 QueryLogClickType

Namespace: http://schemas.datacontract.org/2004/07/Microsoft.Office.Server.Search.Query

The **QueryLogClickType** simple type contains information about click types which are processed by search service.

```
<xs:simpleType name="QueryLogClickType" xmlns:xs="http://www.w3.org/2001/XMLSchema">
  <xs:restriction base="xs:string">
    <xs:enumeration value="Result"/>
    <xs:enumeration value="InsideBlock"/>
    <xs:enumeration value="More"/>
    <xs:enumeration value="DeepLink"/>
    <xs:enumeration value="Hover"/>
    <xs:enumeration value="HoverWithWAC"/>
    <xs:enumeration value="HoverSection"/>
    <xs:enumeration value="ActionFollow"/>
    <xs:enumeration value="ActionViewLibrary"/>
    <xs:enumeration value="ActionEdit"/>
    <xs:enumeration value="ActionSend"/>
    <xs:enumeration value="ActionViewDupes"/>
    <xs:enumeration value="OneDriveQueryBoxResult"/>
  </xs:restriction>
</xs:simpleType>
```

The following table specifies the allowable values for the **QueryLogClickType** simple type.

Value	Meaning
Result	A particular search result was clicked
InsideBlock	Some result inside result block was clicked.
More	"More" link for result block was clicked
DeepLink	A result from deeplinks column of a corresponding search result was clicked.
Hover	A particular result was hovered over and the hover panel did not have an embedded Office Online view.
HoverWithWAC	A particular result was hovered over and the hover panel had an embedded Office Online view.
HoverSection	Some section heading in a hover panel was clicked.
ActionFollow	The Follow action in a hover panel was clicked.
ActionViewLibrary	The View Library action in a hover panel was clicked.
ActionEdit	The Edit action in a hover panel was clicked.
ActionSend	The Send action in a hover panel was clicked.
ActionViewDupes	The View Duplicates action in a hover panel was clicked.
OneDriveQueryBoxResult	The one drive query box result panel was clicked.

3.1.4.16.5 Attributes

None.

3.1.4.16.6 Groups

None.

3.1.4.16.7 Attribute Groups

None.

3.1.4.17 GetQueryHealthMonitoringSettings

This operation [<73>](#) is used by the protocol client to obtain query health monitoring settings from the protocol server.

The following is the **WSDL** port type specification of the **GetQueryHealthMonitoringSettings WSDL operation**.

```
<wsdl:operation name="GetQueryHealthMonitoringSettings"
xmlns:wsdl="http://schemas.xmlsoap.org/wsdl/">
  <wsdl:input
wsaw:Action="http://tempuri.org/ISearchHealthMonitoringServiceApplication/GetQueryHealthMonitoringSettings"
message="tns:ISearchHealthMonitoringServiceApplication_GetQueryHealthMonitoringSettings_InputMessage"
xmlns:wsaw="http://www.w3.org/2006/05/addressing/wsdl"/>
  <wsdl:output
wsaw:Action="http://tempuri.org/ISearchHealthMonitoringServiceApplication/GetQueryHealthMonitoringSettingsResponse"
message="tns:ISearchHealthMonitoringServiceApplication_GetQueryHealthMonitoringSettings_OutputMessage"
xmlns:wsaw="http://www.w3.org/2006/05/addressing/wsdl"/>
  <wsdl:fault
wsaw:Action="http://tempuri.org/ISearchHealthMonitoringServiceApplication/GetQueryHealthMonitoringSettingsSearchServiceApplicationFaultFault"
name="SearchServiceApplicationFaultFault"
message="tns:ISearchHealthMonitoringServiceApplication_GetQueryHealthMonitoringSettings_SearchServiceApplicationFaultFault_FaultMessage"
xmlns:wsaw="http://www.w3.org/2006/05/addressing/wsdl"/>
</wsdl:operation>
```

The protocol client sends an **ISearchHealthMonitoringServiceApplication_GetQueryHealthMonitoringSettings_InputMessage** (section [3.1.4.17.1.1](#)) **request message** and the protocol server responds with an **ISearchHealthMonitoringServiceApplication_GetQueryHealthMonitoringSettings_OutputMessage** (section [3.1.4.17.1.2](#)) **response message**, as follows:

- On successful processing, the protocol server returns its query health monitoring settings.
- On error, the protocol server returns a **FaultException<ExceptionDetail>** message to the protocol client.

3.1.4.17.1 Messages

The following table summarizes the set of **WSDL message** definitions that are specific to this operation.

Message	Description
ISearchHealthMonitoringServiceApplication_GetQueryHealthMonitoringSettings_InputMessage	The request WSDL message for the GetQueryHealthMonitoringSettings WSDL operation .
ISearchHealthMonitoringServiceApplication_GetQueryHealthMonitoringSettings_OutputMessage	The response WSDL message for the GetQueryHealthMonitoringSettings WSDL operation .

3.1.4.17.1.1 ISearchHealthMonitoringServiceApplication_GetQueryHealthMonitoringSettings_InputMessage

The request **WSDL message** for the **GetQueryHealthMonitoringSettings WSDL operation**.

The **SOAP action** value is:

```
http://tempuri.org/ISearchHealthMonitoringServiceApplication/GetQueryHealthMonitoringSettings
```

The **SOAP body** contains the **GetQueryHealthMonitoringSettings** element.

3.1.4.17.1.2 ISearchHealthMonitoringServiceApplication_GetQueryHealthMonitoringSettings_OutputMessage

The response **WSDL message** for the **GetQueryHealthMonitoringSettings WSDL operation**.

The **SOAP body** contains the **GetQueryHealthMonitoringSettingsResponse** element.

3.1.4.17.2 Elements

The following table summarizes the **XML schema** element definitions that are specific to this operation.

Element	Description
GetQueryHealthMonitoringSettings	The input data for the GetQueryHealthMonitoringSettings WSDL operation .
GetQueryHealthMonitoringSettingsResponse	The result data for the GetQueryHealthMonitoringSettings WSDL operation .

3.1.4.17.2.1 GetQueryHealthMonitoringSettings

The **GetQueryHealthMonitoringSettings** element specifies the input data for the **GetQueryHealthMonitoringSettings WSDL operation**.

```
<xs:element name="GetQueryHealthMonitoringSettings"
xmlns:xs="http://www.w3.org/2001/XMLSchema">
  <xs:complexType>
    <xs:sequence>
      <xs:element minOccurs="0" name="component" nillable="true" type="xs:string"/>
    </xs:sequence>
  </xs:complexType>
</xs:element>
```

```
</xs:sequence>
</xs:complexType>
</xs:element>
```

component: Specifies the name of the component for which to retrieve settings. The value MUST be one of the following: "Overall", "Trend", "Flow", "SubFlow", "IndexEngine", "QueryTags", "Counters".

Overall – the component that tracks the **ElapsedTime** and the **QueryProcessingTime** of a query as specified in section [3.1.4.1.3.1](#).

Trend – the component that tracks the percentiles over the **ElapsedTime** specified in section 3.1.4.1.3.1.

Flow – the component that tracks the latencies of **search providers**.

SubFlow – the component that tracks the breakdown of latencies of each search provider.

IndexEngine – the component that tracks the latencies of the queries in the backend of the protocol server.

QueryTags – the component that tracks the statistics of execution of **query rules**.

Counters – the component that tracks the statistics of **query throttling**.

3.1.4.17.2.2 GetQueryHealthMonitoringSettingsResponse

The **GetQueryHealthMonitoringSettingsResponse** element specifies the result data for the **GetQueryHealthMonitoringSettings WSDL operation**.

```
<xs:element name="GetQueryHealthMonitoringSettingsResponse"
  xmlns:xs="http://www.w3.org/2001/XMLSchema">
  <xs:complexType>
    <xs:sequence>
      <xs:element
        xmlns:tns4="http://schemas.datacontract.org/2004/07/Microsoft.Office.Server.Search.Monitoring"
        minOccurs="0" name="GetQueryHealthMonitoringSettingsResult" nillable="true"
        type="tns4:QueryHealthMonitoringSettings"/>
    </xs:sequence>
  </xs:complexType>
</xs:element>
```

GetQueryHealthMonitoringSettingsResult: Query health monitoring settings. MUST be of type **QueryHealthMonitoringSettings** as specified in section [2.2.4.40](#).

3.1.4.17.3 Complex Types

None.

3.1.4.17.4 Simple Types

None.

3.1.4.17.5 Attributes

None.

3.1.4.17.6 Groups

None.

3.1.4.17.7 Attribute Groups

None.

3.1.4.18 GetQuerySuggestionsWithResults

This operation<74> is used to retrieve a list of query suggestions and suggested personal results to match a search query. There are two types of query suggestions: **pre-query suggestions** and **post-query suggestions**. In pre-query suggestions, the last term in the search box SHOULD be matched by prefix. In post-query suggestions, the last term SHOULD be matched exactly. The query suggestions SHOULD also include queries issued by the current user multiple times before this request. The personal results SHOULD be returned when the current user has clicked repeatedly on the same **URL** in the search results for any of the suggested queries. Query suggestions and personal results MUST NOT include any queries or results that were clicked by the user before **ClearUserClickHistory** was called, as specified in [\[MS-SADMWS\]](#) section 3.1.4.85

The following is the **WSDL** port type specification of the **GetQuerySuggestionsWithResults WSDL operation**.

```
<wsdl:operation name="GetQuerySuggestionsWithResults"
xmlns:wsdl="http://schemas.xmlsoap.org/wsdl/">
  <wsdl:input
wsaw:Action="http://tempuri.org/ISearchQueryServiceApplication/GetQuerySuggestionsWithResults
" message="tns:ISearchQueryServiceApplication_GetQuerySuggestionsWithResults_InputMessage"
xmlns:wsaw="http://www.w3.org/2006/05/addressing/wsdl"/>
  <wsdl:output
wsaw:Action="http://tempuri.org/ISearchQueryServiceApplication/GetQuerySuggestionsWithResults
Response"
message="tns:ISearchQueryServiceApplication_GetQuerySuggestionsWithResults_OutputMessage"
xmlns:wsaw="http://www.w3.org/2006/05/addressing/wsdl"/>
  <wsdl:fault
wsaw:Action="http://tempuri.org/ISearchQueryServiceApplication/GetQuerySuggestionsWithResults
SearchServiceApplicationFaultFault" name="SearchServiceApplicationFaultFault"
message="tns:ISearchQueryServiceApplication_GetQuerySuggestionsWithResults_SearchServiceAppli
cationFaultFault_FaultMessage" xmlns:wsaw="http://www.w3.org/2006/05/addressing/wsdl"/>
</wsdl:operation>
```

3.1.4.18.1 Messages

The following table summarizes the set of **WSDL message** definitions that are specific to this operation.

Message	Description
ISearchQueryServiceApplication_GetQuerySuggestionsWithResults_In putMessage	The request WSDL message for the GetQuerySuggestionsWithR esults WSDL operation .
ISearchQueryServiceApplication_GetQuerySuggestionsWithResults_Ou tputMessage	The response WSDL message for the GetQuerySuggestionsWithR esults WSDL operation .

3.1.4.18.1.1 ISearchQueryServiceApplication_GetQuerySuggestionsWithResults_Inpu tMessage

The request **WSDL message** for the **GetQuerySuggestionsWithResults WSDL operation**.

The **SOAP action** value is:

```
http://tempuri.org/ISearchQueryServiceApplication/GetQuerySuggestionsWithResults
```

The **SOAP body** contains the **GetQuerySuggestionsWithResults** element.

3.1.4.18.1.2 ISearchQueryServiceApplication_GetQuerySuggestionsWithResults_OutputMessage

The response **WSDL message** for the **GetQuerySuggestionsWithResults WSDL operation**.

The **SOAP body** contains the **GetQuerySuggestionsWithResultsResponse** element.

3.1.4.18.2 Elements

The following table summarizes the **XML schema** element definitions that are specific to this operation.

Element	Description
GetQuerySuggestionsWithResults	The input data for the GetQuerySuggestionsWithResults WSDL operation .
GetQuerySuggestionsWithResultsResponse	The result data for the GetQuerySuggestionsWithResults WSDL operation .

3.1.4.18.2.1 GetQuerySuggestionsWithResults

The **GetQuerySuggestionsWithResults** element specifies the input data for the **GetQuerySuggestionsWithResults WSDL operation**.

```
<xs:element name="GetQuerySuggestionsWithResults"
  xmlns:xs="http://www.w3.org/2001/XMLSchema">
  <xs:complexType>
    <xs:sequence>
      <xs:element xmlns:q2="http://www.microsoft.com/sharepoint/search/KnownTypes/2008/08"
        minOccurs="0" name="properties" nillable="true" type="q2:QueryProperties"/>
      <xs:element minOccurs="0" name="iNumberOfQuerySuggestions" type="xs:int"/>
      <xs:element minOccurs="0" name="iNumberOfResultSuggestions" type="xs:int"/>
      <xs:element minOccurs="0" name="fPreQuerySuggestions" type="xs:boolean"/>
      <xs:element minOccurs="0" name="fHitHighlighting" type="xs:boolean"/>
      <xs:element minOccurs="0" name="fCapitalizeFirstLetters" type="xs:boolean"/>
      <xs:element minOccurs="0" name="fPrefixMatchAllTerms" type="xs:boolean"/>
    </xs:sequence>
  </xs:complexType>
</xs:element>
```

properties: The query properties of the **search query**. The value MUST be a **QueryProperties** data type, as specified in section [2.2.4.11](#)

iNumberOfQuerySuggestions: The number of query suggestions to retrieve. The value MUST be a non-negative **integer**.

iNumberOfResultSuggestions: The number of personal results to retrieve. The value MUST be a non-negative **integer**.

fPreQuerySuggestions: Specifies whether to retrieve **pre-query suggestions**. If "true", the protocol server SHOULD return pre-query suggestions. Otherwise, the protocol server SHOULD return **post-query suggestions**.

fHitHighlighting: Specifies whether protocol server SHOULD highlight the collection of query suggestions. If "true", the protocol server SHOULD surround the terms in the returned query suggestions that match terms in the specified query with **B** and **/B** HTML tags. Otherwise, the protocol server SHOULD NOT surround matching terms by any **HTML** tags

fCapitalizeFirstLetters: Specifies whether to capitalize first letters in each term in query suggestions. A value of "true" indicates that the protocol server SHOULD capitalize terms. Otherwise, the protocol server SHOULD NOT capitalize terms.

fPrefixMatchAllTerms: Specified whether returned query suggestions SHOULD be matched to the query text specified in the properties element by prefix. If "true" the query suggestions SHOULD be matched by prefix. Otherwise, the query suggestions SHOULD match tokens in the specified query entirely.

3.1.4.18.2.2 GetQuerySuggestionsWithResultsResponse

The **GetQuerySuggestionsWithResultsResponse** element specifies the result data for the **GetQuerySuggestionsWithResults WSDL operation**.

```
<xs:element name="GetQuerySuggestionsWithResultsResponse"
  xmlns:xs="http://www.w3.org/2001/XMLSchema">
  <xs:complexType>
    <xs:sequence>
      <xs:element xmlns:q2="http://www.microsoft.com/sharepoint/search/KnownTypes/2008/08"
        minOccurs="0" name="GetQuerySuggestionsWithResultsResult" nillable="true"
        type="q2:QuerySuggestionResults"/>
    </xs:sequence>
  </xs:complexType>
</xs:element>
```

GetQuerySuggestionsWithResultsResult: Specifies a collection of query suggestions and personal results for the search query terms in the search box

3.1.4.18.3 Complex Types

None.

3.1.4.18.4 Simple Types

None.

3.1.4.18.5 Attributes

None.

3.1.4.18.6 Groups

None.

3.1.4.18.7 Attribute Groups

None.

3.1.4.19 GetQueryHealthMonitoringSettingsForComponents

This operation is used by the protocol client to obtain query health monitoring settings from the protocol server. <75>

The following is the **WSDL** port type specification of the **GetQueryHealthMonitoringSettingsForComponents WSDL operation**.

```
<wsdl:operation name="GetQueryHealthMonitoringSettingsForComponents"
xmlns:wsdl="http://schemas.xmlsoap.org/wsdl/">
  <wsdl:input
wsaw:Action="http://tempuri.org/ISearchHealthMonitoringServiceApplication/GetQueryHealthMonitoringSettingsForComponents"
message="tns:ISearchHealthMonitoringServiceApplication GetQueryHealthMonitoringSettingsForComponents_InputMessage" xmlns:wsaw="http://www.w3.org/2006/05/addressing/wsdl"/>
  <wsdl:output
wsaw:Action="http://tempuri.org/ISearchHealthMonitoringServiceApplication/GetQueryHealthMonitoringSettingsForComponentsResponse"
message="tns:ISearchHealthMonitoringServiceApplication GetQueryHealthMonitoringSettingsForComponents_OutputMessage" xmlns:wsaw="http://www.w3.org/2006/05/addressing/wsdl"/>
  <wsdl:fault
wsaw:Action="http://tempuri.org/ISearchHealthMonitoringServiceApplication/GetQueryHealthMonitoringSettingsForComponentsSearchServiceApplicationFaultFault"
name="SearchServiceApplicationFaultFault"
message="tns:ISearchHealthMonitoringServiceApplication GetQueryHealthMonitoringSettingsForComponents_SearchServiceApplicationFaultFault_FaultMessage"
xmlns:wsaw="http://www.w3.org/2006/05/addressing/wsdl"/>
</wsdl:operation>
```

The protocol client sends an **ISearchHealthMonitoringServiceApplication_GetQueryHealthMonitoringSettingsForComponents_InputMessage** (section [3.1.4.19.1.1](#)) request message and the protocol server responds with an **ISearchHealthMonitoringServiceApplication_GetQueryHealthMonitoringSettingsForComponents_OutputMessage** (section [3.1.4.19.1.2](#)) response message, as follows:

- On successful processing, the protocol server returns its query health monitoring settings.
- On error, the protocol server returns a **FaultException<ExceptionDetail>** message to the protocol client.

3.1.4.19.1 Messages

The following table summarizes the set of **WSDL message** definitions that are specific to this operation.

Message	Description
ISearchHealthMonitoringServiceApplication_GetQueryHealthMonitoringSettingsForComponents_InputMessage	The request WSDL message for the GetQueryHealthMonitoringSettingsForComponents WSDL operation .
ISearchHealthMonitoringServiceApplication_GetQueryHealthMonitoringSettingsForComponents_OutputMessage	The response WSDL message for the GetQueryHealthMonitoringSettingsForComponents WSDL operation .

3.1.4.19.1.1 ISearchHealthMonitoringServiceApplication_GetQueryHealthMonitoringSettingsForComponents_InputMessage

The request **WSDL message** for the **GetQueryHealthMonitoringSettingsForComponents WSDL operation**.

The **SOAP action** value is:

```
http://tempuri.org/ISearchHealthMonitoringServiceApplication/GetQueryHealthMonitoringSettingsForComponents
```

The **SOAP body** contains the **GetQueryHealthMonitoringSettingsForComponents** element.

3.1.4.19.1.2 ISearchHealthMonitoringServiceApplication_GetQueryHealthMonitoringSettingsForComponents_OutputMessage

The response **WSDL message** for the **GetQueryHealthMonitoringSettingsForComponents WSDL operation**.

The **SOAP body** contains the **GetQueryHealthMonitoringSettingsForComponentsResponse** element.

3.1.4.19.2 Elements

The following table summarizes the **XML schema** element definitions that are specific to this operation.

Element	Description
GetQueryHealthMonitoringSettingsForComponents	The input data for the GetQueryHealthMonitoringSettingsForComponents WSDL operation .
GetQueryHealthMonitoringSettingsForComponentsResponse	The result data for the GetQueryHealthMonitoringSettingsForComponents WSDL operation .

3.1.4.19.2.1 GetQueryHealthMonitoringSettingsForComponents

The **GetQueryHealthMonitoringSettingsForComponents** element specifies the input data for the **GetQueryHealthMonitoringSettingsForComponents WSDL operation**.

```
<xs:element name="GetQueryHealthMonitoringSettingsForComponents"
xmlns:xs="http://www.w3.org/2001/XMLSchema">
  <xs:complexType>
    <xs:sequence>
      <xs:element xmlns:q3="http://schemas.microsoft.com/2003/10/Serialization/Arrays"
minOccurs="0" name="components" nillable="true" type="q3:ArrayOfstring"/>
    </xs:sequence>
  </xs:complexType>
</xs:element>
```

components: Specifies a list of components for which to retrieve settings. The values MUST be one of the following: "Overall", "Trend", "Flow", "SubFlow", "IndexEngine", "QueryTags", "Counters".

Overall – the component that tracks the **ElapsedTime** and the **QueryProcessingTime** of a query as specified in section [3.1.4.1.3.1](#).

Trend – the component that tracks the percentiles over the **ElapsedTime** specified in section [3.1.4.1.3.1](#).

Flow – the component that tracks the latencies of **search providers**.

SubFlow – the component that tracks the breakdown of latencies of each search provider.

IndexEngine – the component that tracks the latencies of the queries in the backend of the protocol server.

QueryTags – the component that tracks the statistics of execution of **query rules**.

Counters – the component that tracks the statistics of **query throttling**

3.1.4.19.2.2 GetQueryHealthMonitoringSettingsForComponentsResponse

The **GetQueryHealthMonitoringSettingsForComponentsResponse** element specifies the result data for the **GetQueryHealthMonitoringSettingsForComponents** **WSDL operation**.

```
<xs:element name="GetQueryHealthMonitoringSettingsForComponentsResponse"
  xmlns:xs="http://www.w3.org/2001/XMLSchema">
  <xs:complexType>
    <xs:sequence>
      <xs:element xmlns:q3="http://schemas.microsoft.com/2003/10/Serialization/Arrays"
        minOccurs="0" name="GetQueryHealthMonitoringSettingsForComponentsResult" nillable="true"
        type="q3:ArrayOfKeyValueOfstringQueryHealthMonitoringSettingsvncQr8z"/>
    </xs:sequence>
  </xs:complexType>
</xs:element>
```

GetQueryHealthMonitoringSettingsForComponentsResult: List of query health monitoring settings. MUST be of type **ArrayOfKeyValueOfstringQueryHealthMonitoringSettingsvncQr8z** as specified in section [3.1.4.19.3.1](#).

3.1.4.19.3 Complex Types

The following table summarizes the **XML schema** complex type definitions that are specific to this operation.

Complex type	Description
ArrayOfKeyValueOfstringQueryHealthMonitoringSettingsvncQr8z	List of settings that are used to configure health monitoring data collection

3.1.4.19.3.1 ArrayOfKeyValueOfstringQueryHealthMonitoringSettingsvncQr8z

Namespace: <http://schemas.microsoft.com/2003/10/Serialization/Arrays>

The **ArrayOfKeyValueOfstringQueryHealthMonitoringSettingsvncQr8z** complex type defines a list of settings that are used to configure query health monitoring data collection into the objects defined in section [3.1.1.5](#).

```

<xs:complexType name="ArrayOfKeyValueOfstringQueryHealthMonitoringSettingsvncQr8z"
xmlns:xs="http://www.w3.org/2001/XMLSchema">
  <xs:sequence>
    <xs:element minOccurs="0" maxOccurs="unbounded"
name="KeyValueOfstringQueryHealthMonitoringSettingsvncQr8z">
      <xs:complexType>
        <xs:sequence>
          <xs:element name="Key" nillable="true" type="xs:string"/>
          <xs:element
xmlns:tns4="http://schemas.datacontract.org/2004/07/Microsoft.Office.Server.Search.Monitoring
" name="Value" nillable="true" type="tns4:QueryHealthMonitoringSettings"/>
        </xs:sequence>
      </xs:complexType>
    </xs:element>
  </xs:sequence>
</xs:complexType>

```

KeyValueOfstringQueryHealthMonitoringSettingsvncQr8z: Represents the query health monitoring settings for a component.

KeyValueOfstringQueryHealthMonitoringSettingsvncQr8z.Key: String value identifying the component that the query health monitoring settings in **KeyValueOfstringQueryHealthMonitoringSettingsvncQr8z.Value** represents.

KeyValueOfstringQueryHealthMonitoringSettingsvncQr8z.Value: Query health monitoring settings for the component in **KeyValueOfstringQueryHealthMonitoringSettingsvncQr8z.Key**. MUST be of type QueryHealthMonitoringSettings section [2.2.4.40](#).

3.1.4.19.4 Simple Types

None.

3.1.4.19.5 Attributes

None.

3.1.4.19.6 Groups

None.

3.1.4.19.7 Attribute Groups

None.

3.1.4.20 RecordOMQueryDone

This operation is used by the protocol client to inform the protocol server about the latency for processing the search query on the protocol server, as reported by the protocol server in the **ExecuteResult** element of the **ExecuteResponse** message, as specified in section [3.1.4.1.2.2](#). The protocol client MUST collect this latency information for search queries executed within each time period determined by the protocol server and send it in a single message to the protocol server. [<76>](#)

The following is the **WSDL** port type specification of the **RecordOMQueryDone WSDL operation**.

```

<wsdl:operation name="RecordOMQueryDone" xmlns:wsdl="http://schemas.xmlsoap.org/wsdl/">
  <wsdl:input
wsaw:Action="http://tempuri.org/ISearchHealthMonitoringServiceApplication/RecordOMQueryDone"
message="tns:ISearchHealthMonitoringServiceApplication_RecordOMQueryDone_InputMessage"
xmlns:wsaw="http://www.w3.org/2006/05/addressing/wsdl"/>

```

```

<wsdl:output
wsaw:Action="http://tempuri.org/ISearchHealthMonitoringServiceApplication/RecordOMQueryDoneRe
sponse"
message="tns:ISearchHealthMonitoringServiceApplication_RecordOMQueryDone_OutputMessage"
xmlns:wsaw="http://www.w3.org/2006/05/addressing/wsdl"/>
<wsdl:fault
wsaw:Action="http://tempuri.org/ISearchHealthMonitoringServiceApplication/RecordOMQueryDoneSe
archServiceApplicationFaultFault" name="SearchServiceApplicationFaultFault"
message="tns:ISearchHealthMonitoringServiceApplication_RecordOMQueryDone_SearchServiceApplica
tionFaultFault_FaultMessage" xmlns:wsaw="http://www.w3.org/2006/05/addressing/wsdl"/>
</wsdl:operation>

```

The protocol client sends an **ISearchHealthMonitoringServiceApplication_RecordOMQueryDone_InputMessage** request message, as specified in section [3.1.4.20.1.1](#), and the protocol server responds with an **ISearchHealthMonitoringServiceApplication_RecordOMQueryDone_OutputMessage** response message, as specified in section [3.1.4.20.1.2](#), as follows:

- On successfully processing search query latency, the protocol server returns whether verbose query monitoring is turned on for the search service application or not.
- On error, the protocol server MUST send a **FaultException<ExceptionDetail>** message to the protocol client.

3.1.4.20.1 Messages

The following table summarizes the set of **WSDL message** definitions that are specific to this operation.

Message	Description
ISearchHealthMonitoringServiceApplication_RecordOMQueryDone_InputMessage	The request WSDL message for the RecordOMQueryDone WSDL operation .
ISearchHealthMonitoringServiceApplication_RecordOMQueryDone_OutputMessage	The response WSDL message for the RecordOMQueryDone WSDL operation .

3.1.4.20.1.1 ISearchHealthMonitoringServiceApplication_RecordOMQueryDone_Input Message

The request **WSDL message** for the **RecordOMQueryDone WSDL operation**.

The **SOAP action** value is:

```
http://tempuri.org/ISearchHealthMonitoringServiceApplication/RecordOMQueryDone
```

The **SOAP body** contains the **RecordOMQueryDone** element.

3.1.4.20.1.2 ISearchHealthMonitoringServiceApplication_RecordOMQueryDone_OutputMessage

The response **WSDL message** for the **RecordOMQueryDone WSDL operation**.

The **SOAP body** contains the **RecordOMQueryDoneResponse** element.

3.1.4.20.2 Elements

The following table summarizes the **XML schema** element definitions that are specific to this operation.

Element	Description
RecordOMQueryDone	The input data for the RecordOMQueryDone WSDL operation .
RecordOMQueryDoneResponse	The result data for the RecordOMQueryDone WSDL operation .

3.1.4.20.2.1 RecordOMQueryDone

The **RecordOMQueryDone** element specifies the input data for the **RecordOMQueryDone WSDL operation**.

```
<xs:element name="RecordOMQueryDone" xmlns:xs="http://www.w3.org/2001/XMLSchema">  
  <xs:complexType>  
    <xs:sequence>  
      <xs:element xmlns:q2="http://www.microsoft.com/sharepoint/search/KnownTypes/2008/08"  
minOccurs="0" name="buffer" nillable="true" type="q2:OMQueryLatencyDataBuffer"/>  
    </xs:sequence>  
  </xs:complexType>  
</xs:element>
```

buffer: Specifies the latency for processing the query on the protocol server. It contains aggregated latency information as well as verbose latency information of every single search query.

3.1.4.20.2.2 RecordOMQueryDoneResponse

The **RecordOMQueryDoneResponse** element specifies the result data for the **RecordOMQueryDone WSDL operation**.

```
<xs:element name="RecordOMQueryDoneResponse" xmlns:xs="http://www.w3.org/2001/XMLSchema">  
  <xs:complexType>  
    <xs:sequence>  
      <xs:element minOccurs="0" name="RecordOMQueryDoneResult" type="xs:boolean"/>  
    </xs:sequence>  
  </xs:complexType>  
</xs:element>
```

RecordOMQueryDoneResult: Specifies whether the verbose query monitoring is turned on for the search service application. The protocol server MUST return "true" if it is turned on; the protocol server MUST return "false" if it is turned off. If "true" is returned, in the subsequent call the protocol client MUST include verbose and aggregated query latency information in the buffer element; if "false" is returned, in the subsequent call the protocol client MUST only include aggregated query latency information in the buffer element.

3.1.4.20.3 Complex Types

None.

3.1.4.20.4 Simple Types

None.

3.1.4.20.5 Attributes

None.

3.1.4.20.6 Groups

None.

3.1.4.20.7 Attribute Groups

None.

3.1.4.21 RecordQueryError

This operation is used by the protocol client to inform the protocol server of any errors that occurred during the processing of search queries in the protocol client. The protocol client **MUST** collect the error information for all queries executed within each time period determined by the protocol server and send them in a single message. [<77>](#)

The following is the **WSDL** port type specification of the **RecordQueryError WSDL operation**.

```
<wsdl:operation name="RecordQueryError" xmlns:wsdl="http://schemas.xmlsoap.org/wsdl/">
  <wsdl:input
    wsaw:Action="http://tempuri.org/ISearchHealthMonitoringServiceApplication/RecordQueryError"
    message="tns:ISearchHealthMonitoringServiceApplication_RecordQueryError_InputMessage"
    xmlns:wsaw="http://www.w3.org/2006/05/addressing/wsdl"/>
  <wsdl:output
    wsaw:Action="http://tempuri.org/ISearchHealthMonitoringServiceApplication/RecordQueryErrorResponse"
    message="tns:ISearchHealthMonitoringServiceApplication_RecordQueryError_OutputMessage"
    xmlns:wsaw="http://www.w3.org/2006/05/addressing/wsdl"/>
  <wsdl:fault
    wsaw:Action="http://tempuri.org/ISearchHealthMonitoringServiceApplication/RecordQueryErrorSearchServiceApplicationFaultFault"
    name="SearchServiceApplicationFaultFault"
    message="tns:ISearchHealthMonitoringServiceApplication_RecordQueryError_SearchServiceApplicationFaultFault_FaultMessage"
    xmlns:wsaw="http://www.w3.org/2006/05/addressing/wsdl"/>
</wsdl:operation>
```

The protocol client sends an **ISearchHealthMonitoringServiceApplication_RecordQueryError_InputMessage** request message, as specified in section [3.1.4.21.1.1](#), and the protocol server responds with an **ISearchHealthMonitoringServiceApplication_RecordQueryError_OutputMessage** response message, as specified in section [3.1.4.21.1.2](#), as follows:

- On successfully processing the error information, the protocol server returns whether verbose query monitoring is turned on for the search application or not.
- On error, the protocol server **MUST** send a **FaultException<ExceptionDetail>** message to the protocol client.

3.1.4.21.1 Messages

The following table summarizes the set of **WSDL message** definitions that are specific to this operation.

Message	Description
ISearchHealthMonitoringServiceApplication_RecordQueryError_InputMessage	The request WSDL

Message	Description
	message for the RecordQueryError WSDL operation .
ISearchHealthMonitoringServiceApplication_RecordQueryError_OutputMessage	The response WSDL message for the RecordQueryError WSDL operation .

3.1.4.21.1.1 ISearchHealthMonitoringServiceApplication_RecordQueryError_InputMessage

The request **WSDL message** for the **RecordQueryError WSDL operation**.

The **SOAP action** value is:

```
http://tempuri.org/ISearchHealthMonitoringServiceApplication/RecordQueryError
```

The **SOAP body** contains the **RecordQueryError** element.

3.1.4.21.1.2 ISearchHealthMonitoringServiceApplication_RecordQueryError_OutputMessage

The response **WSDL message** for the **RecordQueryError WSDL operation**.

The **SOAP body** contains the **RecordQueryErrorResponse** element.

3.1.4.21.2 Elements

The following table summarizes the **XML schema** element definitions that are specific to this operation.

Element	Description
RecordQueryError	The input data for the RecordQueryError WSDL operation .
RecordQueryErrorResponse	The result data for the RecordQueryError WSDL operation .

3.1.4.21.2.1 RecordQueryError

The **RecordQueryError** element specifies the input data for the **RecordQueryError WSDL operation**.

```
<xs:element name="RecordQueryError" xmlns:xs="http://www.w3.org/2001/XMLSchema">
  <xs:complexType>
    <xs:sequence>
      <xs:element xmlns:q2="http://www.microsoft.com/sharepoint/search/KnownTypes/2008/08"
minOccurs="0" name="buffer" nillable="true" type="q2:QueryErrorDataBuffer"/>
    </xs:sequence>
  </xs:complexType>
</xs:element>
```


buffer: Specifies a list of information for errors that occurred during the processing of all search queries executed within a time period determined by the protocol server, in the protocol client. Each entry in the list corresponds to an error.

3.1.4.21.2 RecordQueryErrorResponse

The **RecordQueryErrorResponse** element specifies the result data for the **RecordQueryError WSDL operation**.

```
<xs:element name="RecordQueryErrorResponse" xmlns:xs="http://www.w3.org/2001/XMLSchema">
  <xs:complexType>
    <xs:sequence>
      <xs:element minOccurs="0" name="RecordQueryErrorResult" type="xs:boolean"/>
    </xs:sequence>
  </xs:complexType>
</xs:element>
```

RecordQueryErrorResult: Specifies whether the verbose query monitoring for the search application is turned on. The protocol server MUST return "true" if it is turned on; the protocol server MUST return "false" if it is turned off. If the protocol server returns "false", subsequent calls to the protocol server MUST NOT include any error information in **QueryErrorDataBuffer** (section [2.2.4.26](#)). If the protocol server returns "true", subsequent calls to the protocol server MUST include error information in **QueryErrorDataBuffer**.

3.1.4.21.3 Complex Types

None.

3.1.4.21.4 Simple Types

None.

3.1.4.21.5 Attributes

None.

3.1.4.21.6 Groups

None.

3.1.4.21.7 Attribute Groups

None.

3.1.4.22 RecordUIQueryDone

This operation is used to inform the protocol server about the search query latency of the search results page. The protocol client MUST collect the latency information for all search queries executed in each time period determined by the protocol server and send it in a single message to the protocol server. [<78>](#)

The following is the **WSDL** port type specification of the **RecordUIQueryDone WSDL operation**.

```
<wsdl:operation name="RecordUIQueryDone" xmlns:wsdl="http://schemas.xmlsoap.org/wsdl/">
  <wsdl:input
    wsaw:Action="http://tempuri.org/ISearchHealthMonitoringServiceApplication/RecordUIQueryDone"
```

```

message="tns:ISearchHealthMonitoringServiceApplication_RecordUIQueryDone_InputMessage"
xmlns:wsaw="http://www.w3.org/2006/05/addressing/wsdl"/>
  <wsdl:output
wsaw:Action="http://tempuri.org/ISearchHealthMonitoringServiceApplication/RecordUIQueryDoneRe
sponse"
message="tns:ISearchHealthMonitoringServiceApplication_RecordUIQueryDone_OutputMessage"
xmlns:wsaw="http://www.w3.org/2006/05/addressing/wsdl"/>
  <wsdl:fault
wsaw:Action="http://tempuri.org/ISearchHealthMonitoringServiceApplication/RecordUIQueryDoneSe
archServiceApplicationFaultFault" name="SearchServiceApplicationFaultFault"
message="tns:ISearchHealthMonitoringServiceApplication_RecordUIQueryDone_SearchServiceApplica
tionFaultFault_FaultMessage" xmlns:wsaw="http://www.w3.org/2006/05/addressing/wsdl"/>
</wsdl:operation>

```

The protocol client sends an **ISearchHealthMonitoringServiceApplication_RecordUIQueryDone_InputMessage** request message, as specified in section [3.1.4.14.1.1](#), and the protocol server responds with an **ISearchHealthMonitoringServiceApplication_RecordUIQueryDone_OutputMessage** response message, as specified in section [3.1.4.14.1.2](#), as follows:

- On successfully processing the search query latency of the results page, the protocol server returns whether verbose query monitoring is turned on for the search application or not.
- On error, the protocol server MUST send a **FaultException<ExceptionDetail>** message to the protocol client.

3.1.4.22.1 Messages

The following table summarizes the set of **WSDL message** definitions that are specific to this operation.

Message	Description
ISearchHealthMonitoringServiceApplication_RecordUIQueryDone_InputMessage	The request WSDL message for the RecordUIQueryDone WSDL operation .
ISearchHealthMonitoringServiceApplication_RecordUIQueryDone_OutputMessage	The response WSDL message for the RecordUIQueryDone WSDL operation .

3.1.4.22.1.1 ISearchHealthMonitoringServiceApplication_RecordUIQueryDone_Input Message

The request **WSDL message** for the **RecordUIQueryDone WSDL operation**.

The **SOAP action** value is:

```
http://tempuri.org/ISearchHealthMonitoringServiceApplication/RecordUIQueryDone
```

The **SOAP body** contains the **RecordUIQueryDone** element.

3.1.4.22.1.2 ISearchHealthMonitoringServiceApplication_RecordUIQueryDone_Outpu tMessage

The response **WSDL message** for the **RecordUIQueryDone WSDL operation**.

The **SOAP body** contains the **RecordUIQueryDoneResponse** element.

3.1.4.22.2 Elements

The following table summarizes the **XML schema** element definitions that are specific to this operation.

Element	Description
RecordUIQueryDone	The input data for the RecordUIQueryDone WSDL operation .
RecordUIQueryDoneResponse	The result data for the RecordUIQueryDone WSDL operation .

3.1.4.22.2.1 RecordUIQueryDone

The **RecordUIQueryDone** element specifies the input data for the **RecordUIQueryDone WSDL operation**.

```
<xs:element name="RecordUIQueryDone" xmlns:xs="http://www.w3.org/2001/XMLSchema">
  <xs:complexType>
    <xs:sequence>
      <xs:element xmlns:q2="http://www.microsoft.com/sharepoint/search/KnownTypes/2008/08"
        minOccurs="0" name="buffer" nillable="true" type="q2:UIQueryLatencyDataBuffer"/>
    </xs:sequence>
  </xs:complexType>
</xs:element>
```

buffer: Specifies the search query latency of the search results page. It **MUST** contain aggregated latency information. When verbose query monitoring is turned on for the search application, it **MUST** also contain verbose latency information for every single search query.

3.1.4.22.2.2 RecordUIQueryDoneResponse

The **RecordUIQueryDoneResponse** element specifies the result data for the **RecordUIQueryDone WSDL operation**.

```
<xs:element name="RecordUIQueryDoneResponse" xmlns:xs="http://www.w3.org/2001/XMLSchema">
  <xs:complexType>
    <xs:sequence>
      <xs:element minOccurs="0" name="RecordUIQueryDoneResult" type="xs:boolean"/>
    </xs:sequence>
  </xs:complexType>
</xs:element>
```

RecordUIQueryDoneResult: Specifies whether verbose query monitoring is turned on for search application. The protocol server **MUST** return "true" if it is turned on; the protocol **MUST** return "false" if it is turned off. If "true" was returned, in the subsequent call the protocol client **MUST** include both aggregated and verbose query latency information in the **buffer** element; if "false" is returned, in the subsequent call the protocol client **MUST** only include aggregated query latency information in the **buffer** element.

3.1.4.22.3 Complex Types

None.

3.1.4.22.4 Simple Types

None.

3.1.4.22.5 Attributes

None.

3.1.4.22.6 Groups

None.

3.1.4.22.7 Attribute Groups

None.

3.1.4.23 RecordWebPartQueryDone

This operation is used by the protocol client to inform the protocol server about the search query latency of the **Web Parts** on the search results page. The protocol client **MUST** collect the latency information for search queries executed within each time period determined by the protocol server and send it in a single message to the protocol server. [<79>](#)

The following is the **WSDL** port type specification of the **RecordWebPartQueryDone WSDL operation**.

```
<wsdl:operation name="RecordWebPartQueryDone" xmlns:wsdl="http://schemas.xmlsoap.org/wsdl/">
  <wsdl:input
    wsaw:Action="http://tempuri.org/ISearchHealthMonitoringServiceApplication/RecordWebPartQueryDone"
    message="tns:ISearchHealthMonitoringServiceApplication_RecordWebPartQueryDone_InputMessage"
    xmlns:wsaw="http://www.w3.org/2006/05/addressing/wsdl"/>
  <wsdl:output
    wsaw:Action="http://tempuri.org/ISearchHealthMonitoringServiceApplication/RecordWebPartQueryDoneResponse"
    message="tns:ISearchHealthMonitoringServiceApplication_RecordWebPartQueryDone_OutputMessage"
    xmlns:wsaw="http://www.w3.org/2006/05/addressing/wsdl"/>
  <wsdl:fault
    wsaw:Action="http://tempuri.org/ISearchHealthMonitoringServiceApplication/RecordWebPartQueryDoneSearchServiceApplicationFaultFault" name="SearchServiceApplicationFaultFault"
    message="tns:ISearchHealthMonitoringServiceApplication_RecordWebPartQueryDone_SearchServiceApplicationFaultFault_FaultMessage" xmlns:wsaw="http://www.w3.org/2006/05/addressing/wsdl"/>
</wsdl:operation>
```

The protocol client sends an

ISearchHealthMonitoringServiceApplication_RecordWebPartQueryDone_InputMessage request message, as specified in section [3.1.4.15.1.1](#), and the protocol server responds with an **ISearchHealthMonitoringServiceApplication_RecordWebPartQueryDone_OutputMessage** response message, as specified in section [3.1.4.15.1.2](#), as follows:

- On successfully processing the search query latency of the Web Parts, the protocol server returns a message that indicates whether verbose query monitoring is turned on for the search service application or not.
- On error, the protocol server **MUST** return a **FaultException<ExceptionDetail>** message to the protocol client.

3.1.4.23.1 Messages

The following table summarizes the set of **WSDL message** definitions that are specific to this operation.

Message	Description
ISearchHealthMonitoringServiceApplication_RecordWebPartQueryDone_InputMessage	The request WSDL message for the RecordWebPartQueryDone WSDL operation .
ISearchHealthMonitoringServiceApplication_RecordWebPartQueryDone_OutputMessage	The response WSDL message for the RecordWebPartQueryDone WSDL operation .

3.1.4.23.1.1 ISearchHealthMonitoringServiceApplication_RecordWebPartQueryDone_InputMessage

The request **WSDL message** for the **RecordWebPartQueryDone WSDL operation**.

The **SOAP action** value is:

```
http://tempuri.org/ISearchHealthMonitoringServiceApplication/RecordWebPartQueryDone
```

The **SOAP body** contains the **RecordWebPartQueryDone** element.

3.1.4.23.1.2 ISearchHealthMonitoringServiceApplication_RecordWebPartQueryDone_OutputMessage

The response **WSDL message** for the **RecordWebPartQueryDone WSDL operation**.

The **SOAP body** contains the **RecordWebPartQueryDoneResponse** element.

3.1.4.23.2 Elements

The following table summarizes the **XML schema** element definitions that are specific to this operation.

Element	Description
RecordWebPartQueryDone	The input data for the RecordWebPartQueryDone WSDL operation .
RecordWebPartQueryDoneResponse	The result data for the RecordWebPartQueryDone WSDL operation .

3.1.4.23.2.1 RecordWebPartQueryDone

The **RecordWebPartQueryDone** element specifies the input data for the **RecordWebPartQueryDone WSDL operation**.

```
<xs:element name="RecordWebPartQueryDone" xmlns:xs="http://www.w3.org/2001/XMLSchema">
  <xs:complexType>
    <xs:sequence>
```

```

    <xs:element xmlns:q2="http://www.microsoft.com/sharepoint/search/KnownTypes/2008/08"
      minOccurs="0" name="buffer" nillable="true" type="q2:WebPartQueryLatencyDataBuffer"/>
  </xs:sequence>
</xs:complexType>
</xs:element>

```

buffer: Specifies the verbose search query latency of the Web Parts.

3.1.4.23.2 RecordWebPartQueryDoneResponse

The **RecordWebPartQueryDoneResponse** element specifies the result data for the **RecordWebPartQueryDone WSDL operation**.

```

<xs:element name="RecordWebPartQueryDoneResponse"
  xmlns:xs="http://www.w3.org/2001/XMLSchema">
  <xs:complexType>
    <xs:sequence>
      <xs:element minOccurs="0" name="RecordWebPartQueryDoneResult" type="xs:boolean"/>
    </xs:sequence>
  </xs:complexType>
</xs:element>

```

RecordWebPartQueryDoneResult: Specifies whether verbose query monitoring is turned on for the search service application. The protocol server MUST return "true" if it is turned on; the protocol server MUST return "false" if it is turned off. If "true" is returned, in the subsequent call the protocol client MUST send the search query latency of the Web Parts to the protocol server; if "false" was returned, in the subsequent call the protocol client MUST NOT send the search query latency of the Web Parts to the protocol server.

3.1.4.23.3 Complex Types

None.

3.1.4.23.4 Simple Types

None.

3.1.4.23.5 Attributes

None.

3.1.4.23.6 Groups

None.

3.1.4.23.7 Attribute Groups

None.

3.1.4.24 GetImgsEndpointAddresses

The **GetImgsEndpointAddresses** operation is used by the protocol client to obtain a list web service URIs from the protocol server. Each of the URIs in the list serves search.

The following is the **WSDL** port type specification of the **GetImgsEndpointAddresses WSDL operation**.

```

<wsdl:operation name="GetImsEndpointAddresses" xmlns:wsdl="http://schemas.xmlsoap.org/wsdl/">
  <wsdl:input
wsaw:Action="http://tempuri.org/ISearchQueryServiceApplication/GetImsEndpointAddresses"
message="tns:ISearchQueryServiceApplication_GetImsEndpointAddresses_InputMessage"
xmlns:wsaw="http://www.w3.org/2006/05/addressing/wsdl"/>
  <wsdl:output
wsaw:Action="http://tempuri.org/ISearchQueryServiceApplication/GetImsEndpointAddressesResponse"
message="tns:ISearchQueryServiceApplication_GetImsEndpointAddresses_OutputMessage"
xmlns:wsaw="http://www.w3.org/2006/05/addressing/wsdl"/>
  <wsdl:fault
wsaw:Action="http://tempuri.org/ISearchQueryServiceApplication/GetImsEndpointAddressesSearchServiceApplicationFaultFault"
name="SearchServiceApplicationFaultFault"
message="tns:ISearchQueryServiceApplication_GetImsEndpointAddresses_SearchServiceApplicationFaultFault_FaultMessage"
xmlns:wsaw="http://www.w3.org/2006/05/addressing/wsdl"/>
</wsdl:operation>

```

The protocol client sends an **ISearchQueryServiceApplication_GetImsEndpointAddresses_InputMessage** input request message, as specified in section [3.1.4.24.1.1](#), and the server responds with an **ISearchQueryServiceApplication_GetImsEndpointAddresses_OutputMessage**, as specified in section [3.1.4.24.1.2](#), as follows:

- On successful processing the protocol server MUST return a list of web service URIs that can serve search.
- On error, the protocol server MUST send a **FaultException<ExceptionDetail>** message to the protocol client.

3.1.4.24.1 Messages

The following table summarizes the set of **WSDL message** definitions that are specific to this operation.

Message	Description
ISearchQueryServiceApplication_GetImsEndpointAddresses_InputMessage	The request WSDL message for the GetImsEndpointAddresses WSDL operation .
ISearchQueryServiceApplication_GetImsEndpointAddresses_OutputMessage	The response WSDL message for the GetImsEndpointAddresses WSDL operation .

3.1.4.24.1.1 ISearchQueryServiceApplication_GetImsEndpointAddresses_InputMessage

The request **WSDL message** for the **GetImsEndpointAddresses WSDL operation**.

The **SOAP action** value is:

```
http://tempuri.org/ISearchQueryServiceApplication/GetImsEndpointAddresses
```

The **SOAP body** contains the **GetImsEndpointAddresses** element.

3.1.4.24.1.2 ISearchQueryServiceApplication_GetImsEndpointAddresses_OutputMessage

The response **WSDL message** for the **GetImsEndpointAddresses WSDL operation**.

The **SOAP body** contains the **GetImsEndpointAddressesResponse** element.

3.1.4.24.2 Elements

The following table summarizes the **XML schema** element definitions that are specific to this operation.

Element	Description
GetImsEndpointAddresses	The input data for the GetImsEndpointAddresses WSDL operation .
GetImsEndpointAddressesResponse	The result data for the GetImsEndpointAddresses WSDL operation .

3.1.4.24.2.1 GetImsEndpointAddresses

The **GetImsEndpointAddresses** element specifies the input data for the **GetImsEndpointAddresses WSDL operation**.

```
<xs:element name="GetImsEndpointAddresses" xmlns:xs="http://www.w3.org/2001/XMLSchema">
  <xs:complexType>
    <xs:sequence/>
  </xs:complexType>
</xs:element>
```

3.1.4.24.2.2 GetImsEndpointAddressesResponse

The **GetImsEndpointAddressesResponse** element specifies the result data for the **GetImsEndpointAddresses WSDL operation**.

```
<xs:element name="GetImsEndpointAddressesResponse"
  xmlns:xs="http://www.w3.org/2001/XMLSchema">
  <xs:complexType>
    <xs:sequence>
      <xs:element xmlns:q3="http://schemas.microsoft.com/2003/10/Serialization/Arrays"
        minOccurs="0" name="GetImsEndpointAddressesResult" nillable="true" type="q3:ArrayOfanyURI"/>
    </xs:sequence>
  </xs:complexType>
</xs:element>
```

GetImsEndpointAddressesResult: Specifies a collection of URI that can serve search.

3.1.4.24.3 Complex Types

The following table summarizes the **XML schema** complex type definitions that are specific to this operation.

Complex type	Description
ArrayOfanyURI	List of URIs. Each URI in the list serve search.

3.1.4.24.3.1 ArrayOfanyURI

Namespace: http://schemas.microsoft.com/2003/10/Serialization/Arrays

The **ArrayOfanyURI** is a list of URIs that the protocol client can connect to. The URIs in the list is a web service endpoint that serve search.

```
<xs:complexType name="ArrayOfanyURI" xmlns:xs="http://www.w3.org/2001/XMLSchema">
  <xs:sequence>
    <xs:element minOccurs="0" maxOccurs="unbounded" name="anyURI" nillable="true"
type="xs:anyURI"/>
  </xs:sequence>
</xs:complexType>
```

anyURI: A URI that serve search.

3.1.4.24.4 Simple Types

None.

3.1.4.24.5 Attributes

None.

3.1.4.24.6 Groups

None.

3.1.4.24.7 Attribute Groups

None.

3.1.4.25 GetQueryCompletions

The **GetQueryCompletions** operation is used by the protocol client to obtain the query completions for a query from the protocol server.

The following is the **WSDL** port type specification of the **GetQueryCompletions WSDL operation**.

```
<wsdl:operation name="GetQueryCompletions" xmlns:wsdl="http://schemas.xmlsoap.org/wsdl/">
  <wsdl:input
wsaw:Action="http://tempuri.org/ISearchQueryServiceApplication/GetQueryCompletions"
message="tns:ISearchQueryServiceApplication_GetQueryCompletions_InputMessage"
xmlns:wsaw="http://www.w3.org/2006/05/addressing/wsdl"/>
  <wsdl:output
wsaw:Action="http://tempuri.org/ISearchQueryServiceApplication/GetQueryCompletionsResponse"
message="tns:ISearchQueryServiceApplication_GetQueryCompletions_OutputMessage"
xmlns:wsaw="http://www.w3.org/2006/05/addressing/wsdl"/>
  <wsdl:fault
wsaw:Action="http://tempuri.org/ISearchQueryServiceApplication/GetQueryCompletionsSearchServiceApplicationFaultFault" name="SearchServiceApplicationFaultFault"
message="tns:ISearchQueryServiceApplication_GetQueryCompletions_SearchServiceApplicationFaultFault_FaultMessage" xmlns:wsaw="http://www.w3.org/2006/05/addressing/wsdl"/>
</wsdl:operation>
```

The protocol client sends an

ISearchQueryServiceApplication_GetQueryCompletions_InputMessage request message as specified in section [3.1.4.25.1.1](#), and the protocol server responds with an

ISearchQueryServiceApplication_GetQueryCompletions_OutputMessage response message as specified in section [3.1.4.25.1.2](#), as follows:

- On successful processing, the protocol server MUST return the complex element **QueryAutoCompletionResults** as specified in section [3.1.4.25.3.5](#).
- On error, the protocol server MUST return a **FaultException<ExceptionDetail>** message to the protocol client.

3.1.4.25.1 Messages

The following table summarizes the set of **WSDL message** definitions that are specific to this operation.

Message	Description
ISearchQueryServiceApplication_GetQueryCompletions_InputMessage	The request WSDL message for the GetQueryCompletions WSDL operation .
ISearchQueryServiceApplication_GetQueryCompletions_OutputMessage	The response WSDL message for the GetQueryCompletions WSDL operation .

3.1.4.25.1.1 ISearchQueryServiceApplication_GetQueryCompletions_InputMessage

The request **WSDL message** for the **GetQueryCompletions WSDL operation**.

The **SOAP action** value is:

`http://tempuri.org/ISearchQueryServiceApplication/GetQueryCompletions`

The **SOAP body** contains the **GetQueryCompletions** element.

3.1.4.25.1.2 ISearchQueryServiceApplication_GetQueryCompletions_OutputMessage

The response **WSDL message** for the **GetQueryCompletions WSDL operation**.

The **SOAP body** contains the **GetQueryCompletionsResponse** element.

3.1.4.25.2 Elements

The following table summarizes the **XML schema** element definitions that are specific to this operation.

Element	Description
GetQueryCompletions	The input data for the GetQueryCompletions WSDL operation .
GetQueryCompletionsResponse	The result data for the GetQueryCompletions WSDL operation .

3.1.4.25.2.1 GetQueryCompletions

The **GetQueryCompletions** element specifies the input data for the **GetQueryCompletions WSDL operation**.

```
<xs:element name="GetQueryCompletions" xmlns:xs="http://www.w3.org/2001/XMLSchema">
  <xs:complexType>
    <xs:sequence>
      <xs:element xmlns:q2="http://www.microsoft.com/sharepoint/search/KnownTypes/2008/08"
        minOccurs="0" name="properties" nillable="true" type="q2:QueryProperties"/>
      <xs:element minOccurs="0" name="numberOfCompletions" type="xs:int"/>
      <xs:element minOccurs="0" name="sources" nillable="true" type="xs:string"/>
      <xs:element minOccurs="0" name="cursorPosition" type="xs:int"/>
    </xs:sequence>
  </xs:complexType>
</xs:element>
```

properties: Specifies the properties for the search query. This element MAY be empty, in which case the server MUST return 0 completions. This element MUST conform to the schema of the KeywordQueryProperties complex type, as specified in section [3.1.4.7.3.1](#).

numberOfCompletions: Specifies the maximum number query completion results in **GetQueryCompletionResponse** response message.

sources: Specifies the sources that the protocol server SHOULD use when computing the result. If NULL, the protocol server SHOULD use all of the sources for autocompletions. The value SHOULD be a comma separated set of sources for autocompletions. The set of available sources the server SHOULD support is "Tag", which MAY be compiled from the set of #tags applied to documents. If the sources value is not a comma separated set of sources, or any of the source does not match "Tag", the server SHOULD return completions from all available sources.

cursorPosition: Specifies the cursor position in the query text when this operation is sent to the protocol server.

3.1.4.25.2.2 GetQueryCompletionsResponse

The **GetQueryCompletionsResponse** element specifies the result data for the **GetQueryCompletions WSDL operation**.

```
<xs:element name="GetQueryCompletionsResponse" xmlns:xs="http://www.w3.org/2001/XMLSchema">
  <xs:complexType>
    <xs:sequence>
      <xs:element xmlns:q2="http://www.microsoft.com/sharepoint/search/KnownTypes/2008/08"
        minOccurs="0" name="GetQueryCompletionsResult" nillable="true"
        type="q2:QueryAutoCompletionResults"/>
    </xs:sequence>
  </xs:complexType>
</xs:element>
```

GetQueryCompletionsResult: Specifies a collection of matches.

3.1.4.25.3 Complex Types

The following table summarizes the **XML schema** complex type definitions that are specific to this operation.

Complex type	Description
ArrayOfQueryAutoCompletion	List of QueryAutoCompletion .
ArrayOfQueryAutoCompletionMatch	List of QueryAutoCompletionMatch .

Complex type	Description
QueryAutoCompletion	The matches for the Query in one Source .
QueryAutoCompletionMatch	One match for the Query in one Source .
QueryAutoCompletionResults	The result of the operation GetQueryCompletions WSDL operation .

3.1.4.25.3.1 ArrayOfQueryAutoCompletion

Namespace: http://www.microsoft.com/sharepoint/search/KnownTypes/2008/08

ArrayOfQueryAutoCompletion complex type defines a list of **QueryAutoCompletion**. There is one element in the list per source in the request.

```
<xs:complexType name="ArrayOfQueryAutoCompletion"
xmlns:xs="http://www.w3.org/2001/XMLSchema">
  <xs:sequence>
    <xs:element minOccurs="0" maxOccurs="unbounded" name="QueryAutoCompletion"
nillable="true" type="q2:QueryAutoCompletion"/>
  </xs:sequence>
</xs:complexType>
```

QueryAutoCompletion: The element per source that contains the list of matches for the query in the source.

3.1.4.25.3.2 ArrayOfQueryAutoCompletionMatch

Namespace: http://www.microsoft.com/sharepoint/search/KnownTypes/2008/08

ArrayOfQueryAutoCompletionMatch complex type defines a list of **QueryAutoCompletionMatch**. There is one element in the list per match of the **Query** in the **Source**

```
<xs:complexType name="ArrayOfQueryAutoCompletionMatch"
xmlns:xs="http://www.w3.org/2001/XMLSchema">
  <xs:sequence>
    <xs:element minOccurs="0" maxOccurs="unbounded" name="QueryAutoCompletionMatch"
nillable="true" type="q2:QueryAutoCompletionMatch"/>
  </xs:sequence>
</xs:complexType>
```

QueryAutoCompletionMatch: The element that represents the matched item used to generate the auto-completion.

3.1.4.25.3.3 QueryAutoCompletion

Namespace: http://www.microsoft.com/sharepoint/search/KnownTypes/2008/08

The **QueryAutoCompletion** complex type represents the matches for the **Query** in one **Source**.

```
<xs:complexType name="QueryAutoCompletion" xmlns:xs="http://www.w3.org/2001/XMLSchema">
  <xs:sequence>
    <xs:element minOccurs="0" name="Matches" nillable="true"
type="q2:ArrayOfQueryAutoCompletionMatch"/>
    <xs:element minOccurs="0" name="Query" nillable="true" type="xs:string"/>
    <xs:element minOccurs="0" name="Score" type="xs:double"/>
    <xs:element minOccurs="0" name="Source" nillable="true" type="xs:string"/>
  </xs:sequence>
</xs:complexType>
```

```
</xs:sequence>
</xs:complexType>
```

Matches: This element represents the list of **QueryAutoCompletionMatch** for this source.

Query: This element represents the query text for the matched results.

Score: This element represents the score for the **Query** in the **Source** over all matches in the **Source**.

Source: This element represents the **Source** used when retrieving the matched results.

3.1.4.25.3.4 QueryAutoCompletionMatch

Namespace: <http://www.microsoft.com/sharepoint/search/KnownTypes/2008/08>

The complex type **QueryAutoCompletionMatch** represents one match in the **Source** for the **Query**.

```
<xs:complexType name="QueryAutoCompletionMatch" xmlns:xs="http://www.w3.org/2001/XMLSchema">
  <xs:sequence>
    <xs:element minOccurs="0" name="Alternation" type="xs:boolean"/>
    <xs:element minOccurs="0" name="Key" nillable="true" type="xs:string"/>
    <xs:element minOccurs="0" name="Length" type="xs:long"/>
    <xs:element minOccurs="0" name="MatchType" nillable="true" type="xs:string"/>
    <xs:element minOccurs="0" name="Score" type="xs:double"/>
    <xs:element minOccurs="0" name="SourceName" nillable="true" type="xs:string"/>
    <xs:element minOccurs="0" name="Start" type="xs:long"/>
    <xs:element minOccurs="0" name="Value" nillable="true" type="xs:string"/>
  </xs:sequence>
</xs:complexType>
```

Alternation: This element indicates whether the suggested **Query** is an alternation of the actual match in the **Source**

Key: This element represents the matched **Key** in the **SourceName**.

Length: This element represents the length of the match between the **Query** and the **Key**.

MatchType: This element represent the type of the match.

Score: This element represents the score of the match.

SourceName: This element represents the name of the **Source** that generated the match.

Start: This element represents the start position of the match.

Value: This element represents the **Value** of the matched **Key**.

3.1.4.25.3.5 QueryAutoCompletionResults

Namespace: <http://www.microsoft.com/sharepoint/search/KnownTypes/2008/08>

The complex type **QueryAutoCompletionResults** represent the result of the operation **GetQueryCompletions** as specified in section [3.1.4.25.2.1](#).

```
<xs:complexType name="QueryAutoCompletionResults"
  xmlns:xs="http://www.w3.org/2001/XMLSchema">
  <xs:sequence>
    <xs:element minOccurs="0" name="CoreExecutionTimeMs" type="xs:long"/>
    <xs:element minOccurs="0" name="CorrelationId" nillable="true" type="xs:string"/>
  </xs:sequence>
</xs:complexType>
```

```

    <xs:element minOccurs="0" name="Queries" nillable="true"
type="q2:ArrayOfQueryAutoCompletion"/>
  </xs:sequence>
</xs:complexType>

```

CoreExecutionTimeMs: This element represent the time spent in the protocol server retrieving the result.

CorrelationId: This element represent the correlation identification of the request.

Queries: This complex type represent the list of **QueryAutoCompletion** as specified in section [3.1.4.25.3.4](#) for the **Query**.

3.1.4.25.4 Simple Types

None.

3.1.4.25.5 Attributes

None.

3.1.4.25.6 Groups

None.

3.1.4.25.7 Attribute Groups

None.

3.1.4.26 IsUrlMappingCached

The **IsUrlMappingCached** operation is used by the protocol client to obtain information about the cache status of the URL mapping in the protocol server and to trigger a refresh of the cache.

The following is the **WSDL** port type specification of the **IsUrlMappingCached WSDL operation**.

```

<wsdl:operation name="IsUrlMappingCached" xmlns:wsdl="http://schemas.xmlsoap.org/wsdl/">
  <wsdl:input
wsaw:Action="http://tempuri.org/ISearchQueryServiceApplication/IsUrlMappingCached"
message="tns:ISearchQueryServiceApplication_IsUrlMappingCached_InputMessage"
xmlns:wsaw="http://www.w3.org/2006/05/addressing/wsdl"/>
  <wsdl:output
wsaw:Action="http://tempuri.org/ISearchQueryServiceApplication/IsUrlMappingCachedResponse"
message="tns:ISearchQueryServiceApplication_IsUrlMappingCached_OutputMessage"
xmlns:wsaw="http://www.w3.org/2006/05/addressing/wsdl"/>
  <wsdl:fault
wsaw:Action="http://tempuri.org/ISearchQueryServiceApplication/IsUrlMappingCachedSearchServiceApplicationFaultFault" name="SearchServiceApplicationFaultFault"
message="tns:ISearchQueryServiceApplication_IsUrlMappingCached_SearchServiceApplicationFaultFault FaultMessage" xmlns:wsaw="http://www.w3.org/2006/05/addressing/wsdl"/>
</wsdl:operation>

```

The protocol client sends an

ISearchQueryServiceApplication_IsUrlMappingCached_InputMessage request message as specified in section [3.1.4.26.1.1](#), and the protocol server responds with an

ISearchQueryServiceApplication_IsUrlMappingCached_OutputMessage response message as specified in section [3.1.4.26.1.2](#) as follows:

- On successful processing, the protocol server MUST return the **IsUrlMappingCachedResponse** as specified in section [3.1.4.26.2.2](#).

On error, the protocol server MUST return a **FaultException<ExceptionDetail>** message to the protocol client.

3.1.4.26.1 Messages

The following table summarizes the set of **WSDL message** definitions that are specific to this operation.

Message	Description
ISearchQueryServiceApplication_IsUrlMappingCached_InputMessage	The request WSDL message for the IsUrlMappingCached WSDL operation .
ISearchQueryServiceApplication_IsUrlMappingCached_OutputMessage	The response WSDL message for the IsUrlMappingCached WSDL operation .

3.1.4.26.1.1 ISearchQueryServiceApplication_IsUrlMappingCached_InputMessage

The request **WSDL message** for the **IsUrlMappingCached WSDL operation**.

The **SOAP action** value is:

```
http://tempuri.org/ISearchQueryServiceApplication/IsUrlMappingCached
```

The **SOAP body** contains the **IsUrlMappingCached** element.

3.1.4.26.1.2 ISearchQueryServiceApplication_IsUrlMappingCached_OutputMessage

The response **WSDL message** for the **IsUrlMappingCached WSDL operation**.

The **SOAP body** contains the **IsUrlMappingCachedResponse** element.

3.1.4.26.2 Elements

The following table summarizes the **XML schema** element definitions that are specific to this operation.

Element	Description
IsUrlMappingCached	The input data for the IsUrlMappingCached WSDL operation .
IsUrlMappingCachedResponse	The result data for the IsUrlMappingCached WSDL operation .

3.1.4.26.2.1 IsUrlMappingCached

The **IsUrlMappingCached** element specifies the input data for the **IsUrlMappingCached WSDL operation**.

```

<xs:element name="IsUrlMappingCached" xmlns:xs="http://www.w3.org/2001/XMLSchema">
  <xs:complexType>
    <xs:sequence>
      <xs:element xmlns:ser="http://schemas.microsoft.com/2003/10/Serialization/"
minOccurs="0" name="subscriptionId" type="ser:guid"/>
      <xs:element
xmlns:tns6="http://schemas.datacontract.org/2004/07/Microsoft.SharePoint.Administration"
minOccurs="0" name="zone" type="tns6:SPUrlZone"/>
    </xs:sequence>
  </xs:complexType>
</xs:element>

```

subscriptionId: The identification of the tenant that is performing the operation.

zone: The SPUrlZone as specified in section [2.2.5.7](#).

3.1.4.26.2.2 IsUrlMappingCachedResponse

The **IsUrlMappingCachedResponse** element specifies the result data for the **IsUrlMappingCached WSDL operation**.

```

<xs:element name="IsUrlMappingCachedResponse" xmlns:xs="http://www.w3.org/2001/XMLSchema">
  <xs:complexType>
    <xs:sequence>
      <xs:element minOccurs="0" name="IsUrlMappingCachedResult" type="xs:int"/>
    </xs:sequence>
  </xs:complexType>
</xs:element>

```

IsUrlMappingCachedResult: Specifies the cache operation result. The result type is an integer, and has the following meaning:

- '0' - The item is not cached.

The URL mapping cache does not contain the item. The client **MUST** update the URL mapping cache on the server side by inserting the entries for the default URL and the zone URL in the property bag of the query, and by setting the query property 'UrlMapCaching' = true.

The client gets the URL mapping and inserts the URL mapping into the property bag of the query using the keys "defaultUrl" and "zoneUrl".

The following query property is set in addition to the URL mapping in the query property bag, (see 'Query property bag' below):

- UrlMappingCache = True

- '1' - The cache state is old.

The URL mapping cache state is old. The cache **MUST** be refreshed offline by inserting the entries for the default URL and the zone URL in the property bag of an 'offline query'. The 'offline query' is a query that is sent to the server side to initiate a cache refresh. This query is sent in addition to the query in progress.

The offline query is a query with the URL mapping included in the property bag of the query. The query is described in section [4.1](#).

The following query properties are set in addition to the URL mapping in the query property bag, (see 'Query property bag' below):

- `CorrelationId` = Set to the unique identifier for the current query.
- QueryText = `FastPbFast`
- MaxKeywordQueryLenght = 2048
- StartRow = 1
- RowsPerPage = 1
- SelectProperties = `Title`
- PartitionId = Set to partition id of current query
- UrlZone = Set to UrlZone of current query
- UrlMappingCache = True
- `2` - The item is cached.

The URL mapping is cached in the client. The server gets the URL mapping from the cache.

- `3` – The update of the cache is in progress.

The URL mapping is cached in the client. A cache update is in progress on the server side. The client MUST NOT trigger another update of the cache while the cache state is in progress.

Query property bag

The query property bag, see section [2.2.4](#), is a serialized dictionary that stores key-value pairs. The client can set several key-values pairs in this dictionary.

The key-values for the URL mapping is set in the query property bag.

Query property bag:

```
minOccurs="0" name="PropertyBag" nillable="true" type="q3:ArrayOfKeyValueOfstringstring"/>
```

Key-values for URL mapping:

```
<xs:element minOccurs="0" name="defaultUrl" type="ArrayOfKeyValueOfstringstring" />
<xs:element minOccurs="0" name="zoneUrl" type="ArrayOfKeyValueOfstringstring" />
```

The key "defaultUrl" contains the URL mapping for the default UrlMapping.

The key "zoneUrl" contains URL for the mapping for the zoneUrl. This is the reverse mapping of the "defaultUrl".

Each of the properties are a dictionary, that contain the mapping for the URLs:

Properties["defaultUrl"]="A serialized dictionary of the default URL mappings, pairs of "URL key"- "URL value".

Properties["zoneUrl"]= "A serialized dictionary of the reverse URL mappings of the "defaultUrl" property, pairs of "URL key" – "URL value", where the "URL key" is the "URL value", and the "URL value" is the "URL key" of the items in the Properties["defaultUrl"].

3.1.4.26.3 Complex Types

None.

3.1.4.26.4 Simple Types

None.

3.1.4.26.5 Attributes

None.

3.1.4.26.6 Groups

None.

3.1.4.26.7 Attribute Groups

None.

3.1.4.27 GetZeroTermsQuerySuggestionsWithResults

Returns query suggestions without any user keywords. The protocol client MAY call this method when implementing a search box to show suggestions before the user types anything into the search box.

The following is the **WSDL** port type specification of the **GetZeroTermsQuerySuggestionsWithResults WSDL operation**.

```
<wsdl:operation name="GetZeroTermsQuerySuggestionsWithResults"
xmlns:wsdl="http://schemas.xmlsoap.org/wsdl/">
  <wsdl:input
wsaw:Action="http://tempuri.org/ISearchQueryServiceApplication/GetZeroTermsQuerySuggestionsWithResults"
message="tns:ISearchQueryServiceApplication_GetZeroTermsQuerySuggestionsWithResults_InputMessage"
xmlns:wsaw="http://www.w3.org/2006/05/addressing/wsdl"/>
  <wsdl:output
wsaw:Action="http://tempuri.org/ISearchQueryServiceApplication/GetZeroTermsQuerySuggestionsWithResultsResponse"
message="tns:ISearchQueryServiceApplication_GetZeroTermsQuerySuggestionsWithResults_OutputMessage"
xmlns:wsaw="http://www.w3.org/2006/05/addressing/wsdl"/>
  <wsdl:fault
wsaw:Action="http://tempuri.org/ISearchQueryServiceApplication/GetZeroTermsQuerySuggestionsWithResultsSearchServiceApplicationFaultFault"
name="SearchServiceApplicationFaultFault"
message="tns:ISearchQueryServiceApplication_GetZeroTermsQuerySuggestionsWithResults_SearchServiceApplicationFaultFault_FaultMessage"
xmlns:wsaw="http://www.w3.org/2006/05/addressing/wsdl"/>
</wsdl:operation>
```

3.1.4.27.1 Messages

The following table summarizes the set of **WSDL message** definitions that are specific to this operation.

Message	Description
ISearchQueryServiceApplication_GetZeroTermsQuerySuggestionsWithResults_InputMessage	The request WSDL message for the GetZeroTermsQuerySuggestionsWithResults WSDL operation .
ISearchQueryServiceApplication_GetZeroTermsQuerySuggestionsWithResults_OutputMessage	The response WSDL message for the GetZeroTermsQuerySuggestionsWithResults WSDL operation .

3.1.4.27.1.1 ISearchQueryServiceApplication_GetZeroTermsQuerySuggestionsWithResults_InputMessage

The request **WSDL message** for the **GetZeroTermsQuerySuggestionsWithResults WSDL operation**.

The **SOAP action** value is:

```
http://tempuri.org/ISearchQueryServiceApplication/GetZeroTermsQuerySuggestionsWithResults
```

The **SOAP body** contains the **GetZeroTermsQuerySuggestionsWithResults** element.

3.1.4.27.1.2 ISearchQueryServiceApplication_GetZeroTermsQuerySuggestionsWithResults_OutputMessage

The response **WSDL message** for the **GetZeroTermsQuerySuggestionsWithResults WSDL operation**.

The **SOAP body** contains the **GetZeroTermsQuerySuggestionsWithResultsResponse** element.

3.1.4.27.2 Elements

The following table summarizes the **XML schema** element definitions that are specific to this operation.

Element	Description
GetZeroTermsQuerySuggestionsWithResults	The input data for the GetZeroTermsQuerySuggestionsWithResults WSDL operation .
GetZeroTermsQuerySuggestionsWithResultsResponse	The result data for the GetZeroTermsQuerySuggestionsWithResults WSDL operation .

3.1.4.27.2.1 GetZeroTermsQuerySuggestionsWithResults

The **GetZeroTermsQuerySuggestionsWithResults** element specifies the input data for the **GetZeroTermsQuerySuggestionsWithResults WSDL operation**.

```
<xs:element name="GetZeroTermsQuerySuggestionsWithResults"
xmlns:xs="http://www.w3.org/2001/XMLSchema">
  <xs:complexType>
    <xs:sequence>
      <xs:element xmlns:q2="http://www.microsoft.com/sharepoint/search/KnownTypes/2008/08"
minOccurs="0" name="properties" nillable="true" type="q2:QueryProperties"/>
      <xs:element minOccurs="0" name="iNumberOfQuerySuggestions" type="xs:int"/>
      <xs:element minOccurs="0" name="iNumberOfResultSuggestions" type="xs:int"/>
      <xs:element minOccurs="0" name="fCapitalizeFirstLetters" type="xs:boolean"/>
    </xs:sequence>
  </xs:complexType>
</xs:element>
```

properties: The query properties of the **search query**. The value MUST be a **QueryProperties** data type, as specified in section [2.2.4.11](#).

iNumberOfQuerySuggestions: The number of query suggestions to retrieve. The value MUST be a non-negative **integer**.

iNumberOfResultSuggestions: The number of personal results to retrieve. The value MUST be a non-negative **integer**.

fCapitalizeFirstLetters: Specifies whether to capitalize first letters in each term in query suggestions. A value of "true" indicates that the protocol server SHOULD capitalize terms. Otherwise, the protocol server SHOULD NOT capitalize terms.

3.1.4.27.2.2 GetZeroTermsQuerySuggestionsWithResultsResponse

The **GetZeroTermsQuerySuggestionsWithResultsResponse** element specifies the result data for the **GetZeroTermsQuerySuggestionsWithResults** **WSDL operation**.

```
<xs:element name="GetZeroTermsQuerySuggestionsWithResultsResponse"
  xmlns:xs="http://www.w3.org/2001/XMLSchema">
  <xs:complexType>
    <xs:sequence>
      <xs:element xmlns:q2="http://www.microsoft.com/sharepoint/search/KnownTypes/2008/08"
        minOccurs="0" name="GetZeroTermsQuerySuggestionsWithResultsResult" nillable="true"
        type="q2:QuerySuggestionResults"/>
    </xs:sequence>
  </xs:complexType>
</xs:element>
```

GetZeroTermsQuerySuggestionsWithResultsResult: Specifies a collection of query suggestions be returned by the server before the user has typed any query terms.

3.1.4.27.3 Complex Types

None.

3.1.4.27.4 Simple Types

None.

3.1.4.27.5 Attributes

None.

3.1.4.27.6 Groups

None.

3.1.4.27.7 Attribute Groups

None.

3.1.4.28 IsUrlMappingCachedWithHash

The **IsUrlMappingCachedWithHash** operation is used by the protocol client to obtain information about the cache status of the URL mapping in the protocol server. The operation allows for a different cache state for each site collection in the URL zone. The protocol client uses the information to trigger a cache update or refresh when needed.

The following is the **WSDL** port type specification of the **IsUrlMappingCachedWithHash** **WSDL operation**.

```

<wsdl:operation name="IsUrlMappingCachedWithHash"
xmlns:wsdl="http://schemas.xmlsoap.org/wsdl/">
  <wsdl:input
wsaw:Action="http://tempuri.org/ISearchQueryServiceApplication/IsUrlMappingCachedWithHash"
message="tns:ISearchQueryServiceApplication_IsUrlMappingCachedWithHash_InputMessage"
xmlns:wsaw="http://www.w3.org/2006/05/addressing/wsdl"/>
  <wsdl:output
wsaw:Action="http://tempuri.org/ISearchQueryServiceApplication/IsUrlMappingCachedWithHashResp
onse" message="tns:ISearchQueryServiceApplication_IsUrlMappingCachedWithHash_OutputMessage"
xmlns:wsaw="http://www.w3.org/2006/05/addressing/wsdl"/>
  <wsdl:fault
wsaw:Action="http://tempuri.org/ISearchQueryServiceApplication/IsUrlMappingCachedWithHashSear
chServiceApplicationFaultFault" name="SearchServiceApplicationFaultFault"
message="tns:ISearchQueryServiceApplication_IsUrlMappingCachedWithHash_SearchServiceApplicati
onFaultFault_FaultMessage" xmlns:wsaw="http://www.w3.org/2006/05/addressing/wsdl"/>
</wsdl:operation>

```

3.1.4.28.1 Messages

The following table summarizes the set of **WSDL message** definitions that are specific to this operation.

Message	Description
ISearchQueryServiceApplication_IsUrlMappingCachedWithHash_InputMessage	The request WSDL message for the IsUrlMappingCachedWithHash WSDL operation .
ISearchQueryServiceApplication_IsUrlMappingCachedWithHash_OutputMessage	The response WSDL message for the IsUrlMappingCachedWithHash WSDL operation .

3.1.4.28.1.1 ISearchQueryServiceApplication_IsUrlMappingCachedWithHash_InputMessage

The request **WSDL message** for the **IsUrlMappingCachedWithHash WSDL operation**.

The **SOAP action** value is:

```
http://tempuri.org/ISearchQueryServiceApplication/IsUrlMappingCachedWithHash
```

The **SOAP body** contains the **IsUrlMappingCachedWithHash** element.

3.1.4.28.1.2 ISearchQueryServiceApplication_IsUrlMappingCachedWithHash_OutputMessage

The response **WSDL message** for the **IsUrlMappingCachedWithHash WSDL operation**.

The **SOAP body** contains the **IsUrlMappingCachedWithHashResponse** element.

3.1.4.28.2 Elements

The following table summarizes the **XML schema** element definitions that are specific to this operation.

Element	Description
IsUrlMappingCachedWithHash	The input data for the IsUrlMappingCachedWithHash WSDL operation .
IsUrlMappingCachedWithHashResponse	The result data for the IsUrlMappingCachedWithHash WSDL operation .

3.1.4.28.2.1 IsUrlMappingCachedWithHash

The **IsUrlMappingCachedWithHash** element specifies the input data for the **IsUrlMappingCachedWithHash WSDL operation**.

```
<xs:element name="IsUrlMappingCachedWithHash" xmlns:xs="http://www.w3.org/2001/XMLSchema">
  <xs:complexType>
    <xs:sequence>
      <xs:element xmlns:ser="http://schemas.microsoft.com/2003/10/Serialization/"
        minOccurs="0" name="subscriptionId" type="ser:guid"/>
      <xs:element
        xmlns:tns6="http://schemas.datacontract.org/2004/07/Microsoft.SharePoint.Administration"
        minOccurs="0" name="zone" type="tns6:SPUrlZone"/>
      <xs:element minOccurs="0" name="hash" nillable="true" type="xs:string"/>
    </xs:sequence>
  </xs:complexType>
</xs:element>
```

subscriptionId: The identification of the tenant that is performing the operation.

zone: The SPUrlZone as specified in section 2.2.5.7.

hash: The base 64 string of the SHA-256 hash of the site collection URL.

3.1.4.28.2.2 IsUrlMappingCachedWithHashResponse

The **IsUrlMappingCachedWithHashResponse** element specifies the result data for the **IsUrlMappingCachedWithHash WSDL operation**.

```
<xs:element name="IsUrlMappingCachedWithHashResponse"
  xmlns:xs="http://www.w3.org/2001/XMLSchema">
  <xs:complexType>
    <xs:sequence>
      <xs:element minOccurs="0" name="IsUrlMappingCachedWithHashResult" type="xs:int"/>
    </xs:sequence>
  </xs:complexType>
</xs:element>
```

IsUrlMappingCachedWithHashResult: See section 3.1.4.26.2.2 **IsUrlMappingCachedResponse**.

3.1.4.28.3 Complex Types

None.

3.1.4.28.4 Simple Types

None.

3.1.4.28.5 Attributes

None.

3.1.4.28.6 Groups

None.

3.1.4.28.7 Attribute Groups

None.

3.1.5 Timer Events

None.

3.1.6 Other Local Events

None.

Preliminary

4 Protocol Examples

4.1 Issue a Search Query

To issue the query "Sample Search Terms", the protocol client sends a message such as this one:

```
<s:Envelope
  xmlns:s="http://www.w3.org/2003/05/soap-envelope"
  xmlns:a="http://www.w3.org/2005/08/addressing"
  xmlns:u="http://docs.oasis-open.org/wss/2004/01/oasis-200401-wss-wssecurity-utility-1.0.xsd">
  <s:Header>
    <a:Action s:mustUnderstand="1">
      http://tempuri.org/ISearchQueryServiceApplication/Execute
    </a:Action>
    <a:MessageID>
      urn:uuid:e72b47ca-9794-46f9-8bd3-b0a84c16e4fe
    </a:MessageID>
    <a:ReplyTo>
      <a:Address>
        http://www.w3.org/2005/08/addressing/anonymous
      </a:Address>
    </a:ReplyTo>
    <ServiceContext
      xmlns="http://schemas.microsoft.com/sharepoint/servicecontext"
      xmlns:i="http://www.w3.org/2001/XMLSchema-instance">
      <correlationId>
        2da8038b-27f4-422a-bd8f-e20801fb8980
      </correlationId>
      <language>en-US</language>
      <region>en-US</region>
      <siteSubscriptionId>00000000-0000-0000-0000-000000000000</siteSubscriptionId>
    </ServiceContext>
    <a:To s:mustUnderstand="1" u:Id="_1">
      http://example.com:32843/dc46e19968e743728529b721db8c8c60/SearchService.svc
    </a:To>
  </s:Header>
  <s:Body>
    <Execute xmlns="http://tempuri.org/">
      <properties
        i:type="b:KeywordQueryProperties"
        xmlns:b="http://www.microsoft.com/sharepoint/search/KnownTypes/2008/08"
        xmlns:i="http://www.w3.org/2001/XMLSchema-instance">
        <b:AlertInfo>
          <b:ChangeType>Discovered</b:ChangeType>
          <b:LastUpdateTime>0001-01-01T00:00:00</b:LastUpdateTime>
        </b:AlertInfo>
        <b:AuthenticationType>NtAuthenticatedQuery</b:AuthenticationType>
        <b:CorrelationId>2da8038b-27f4-422a-bd8f-e20801fb8980</b:CorrelationId>
        <b:EnableNicknames>true</b:EnableNicknames>
        <b:EnablePhonetic>true</b:EnablePhonetic>
        <b:EnableStemming>>false</b:EnableStemming>
        <b:HighlightedSentenceCount>2</b:HighlightedSentenceCount>
        <b:Hint>None</b:Hint>
        <b:HitHighlightedProperties
          xmlns:c="http://schemas.microsoft.com/2003/10/Serialization/Arrays">
          <c:anyType i:type="d:string"
            xmlns:d="http://www.w3.org/2001/XMLSchema">PreferredName</c:anyType>
          <c:anyType i:type="d:string"
            xmlns:d="http://www.w3.org/2001/XMLSchema">YomiDisplayName</c:anyType>
          <c:anyType i:type="d:string"
            xmlns:d="http://www.w3.org/2001/XMLSchema">JobTitle</c:anyType>
          <c:anyType i:type="d:string"
            xmlns:d="http://www.w3.org/2001/XMLSchema">Department</c:anyType>
          <c:anyType i:type="d:string"
            xmlns:d="http://www.w3.org/2001/XMLSchema">WorkPhone</c:anyType>
```



```

    <c:anyType i:type="d:string"
xmlns:d="http://www.w3.org/2001/XMLSchema">OfficeNumber</c:anyType>
    <c:anyType i:type="d:string"
xmlns:d="http://www.w3.org/2001/XMLSchema">WorkEmail</c:anyType>
    <c:anyType i:type="d:string"
xmlns:d="http://www.w3.org/2001/XMLSchema">Responsibility</c:anyType>
    <c:anyType i:type="d:string"
xmlns:d="http://www.w3.org/2001/XMLSchema">Skills</c:anyType>
    <c:anyType i:type="d:string"
xmlns:d="http://www.w3.org/2001/XMLSchema">SipAddress</c:anyType>
    <c:anyType i:type="d:string"
xmlns:d="http://www.w3.org/2001/XMLSchema">Schools</c:anyType>
    <c:anyType i:type="d:string"
xmlns:d="http://www.w3.org/2001/XMLSchema">PastProjects</c:anyType>
    <c:anyType i:type="d:string"
xmlns:d="http://www.w3.org/2001/XMLSchema">Interests</c:anyType>
    <c:anyType i:type="d:string"
xmlns:d="http://www.w3.org/2001/XMLSchema">OrgNames</c:anyType>
    <c:anyType i:type="d:string"
xmlns:d="http://www.w3.org/2001/XMLSchema">OrgParentNames</c:anyType>
    <c:anyType i:type="d:string"
xmlns:d="http://www.w3.org/2001/XMLSchema">Memberships</c:anyType>
    <c:anyType i:type="d:string"
xmlns:d="http://www.w3.org/2001/XMLSchema">AboutMe</c:anyType>
    <c:anyType i:type="d:string"
xmlns:d="http://www.w3.org/2001/XMLSchema">BaseOfficeLocation</c:anyType>
</b:HitHighlightedProperties>
<b:IgnoreAllNoiseQuery>true</b:IgnoreAllNoiseQuery>
<b:KeywordInclusion>AllKeywords</b:KeywordInclusion>
<b:Locale>1033</b:Locale>
<b:MergeWithDefaultPartition>false</b:MergeWithDefaultPartition>
<b:PagingCookie
i:nil="true"

xmlns:c="http://schemas.datacontract.org/2004/07/Microsoft.Office.Server.Search.Query"></b:PagingCookie>
    <b:PartitionId>00000000-0000-0000-0000-000000000000</b:PartitionId>
    <b:PersonalizationData>
    <b:UserId>8cd810f6-fc28-425c-b6f4-aac2e170699b</b:UserId>
    </b:PersonalizationData>
    <b:QueryText>Sample Search Terms</b:QueryText>
    <b:RankingModelId>D9BFB1A1-9036-4627-83B2-BBD9983AC8A1</b:RankingModelId>
    <b:ResultTypes>RelevantResults</b:ResultTypes>
    <b:ResultsProvider>SharepointSearch</b:ResultsProvider>
    <b:RowLimit>3</b:RowLimit>
    <b:RowsPerPage>3</b:RowsPerPage>
    <b:Sid></b:Sid>
    <b:SiteId>496f265c-4758-4ac5-b14d-d02dfa131a64</b:SiteId>
    <b:StartRow>0</b:StartRow>
    <b:SummaryLength>200</b:SummaryLength>
    <b:TimeZoneID>13</b:TimeZoneID>
    <b:Timeout>9000</b:Timeout>
    <b>TotalRowsExactMinimum>100</b>TotalRowsExactMinimum>
    <b:TrimDuplicates>true</b:TrimDuplicates>
    <b:UrlZone>Default</b:UrlZone>
    <b:CustomRefinementIntervals
xmlns:c="http://schemas.microsoft.com/2003/10/Serialization/Arrays">
    </b:CustomRefinementIntervals>
    <b:EnableFQL>false</b:EnableFQL>
    <b:EnableSpellcheck>Suggest</b:EnableSpellcheck>
    <b:EnableUrlSmashing>true</b:EnableUrlSmashing>
    <b:HiddenConstraints>scope:"People"</b:HiddenConstraints>
    <b:MaxShallowRefinementHits>100</b:MaxShallowRefinementHits>
    <b:MaxSummaryLength>185</b:MaxSummaryLength>
    <b:MaxUrlLength>2048</b:MaxUrlLength>
    <b:RefinementFilters
xmlns:c="http://schemas.microsoft.com/2003/10/Serialization/Arrays">
    </b:RefinementFilters>
    <b:Refiners></b:Refiners>

```

```

    <b:ResubmitFlags>NoResubmit</b:ResubmitFlags>
    <b>SelectProperties
xmlns:c="http://schemas.microsoft.com/2003/10/Serialization/Arrays">
  <c:anyType i:type="d:string"
xmlns:d="http://www.w3.org/2001/XMLSchema">WorkId</c:anyType>
  <c:anyType i:type="d:string"
xmlns:d="http://www.w3.org/2001/XMLSchema">UserProfile_GUID</c:anyType>
  <c:anyType i:type="d:string"
xmlns:d="http://www.w3.org/2001/XMLSchema">AccountName</c:anyType>
  <c:anyType i:type="d:string"
xmlns:d="http://www.w3.org/2001/XMLSchema">PreferredName</c:anyType>
  <c:anyType i:type="d:string"
xmlns:d="http://www.w3.org/2001/XMLSchema">YomiDisplayName</c:anyType>
  <c:anyType i:type="d:string"
xmlns:d="http://www.w3.org/2001/XMLSchema">JobTitle</c:anyType>
  <c:anyType i:type="d:string"
xmlns:d="http://www.w3.org/2001/XMLSchema">Department</c:anyType>
  <c:anyType i:type="d:string"
xmlns:d="http://www.w3.org/2001/XMLSchema">WorkPhone</c:anyType>
  <c:anyType i:type="d:string"
xmlns:d="http://www.w3.org/2001/XMLSchema">OfficeNumber</c:anyType>
  <c:anyType i:type="d:string"
xmlns:d="http://www.w3.org/2001/XMLSchema">PictureURL</c:anyType>
  <c:anyType i:type="d:string"
xmlns:d="http://www.w3.org/2001/XMLSchema">HierarchyUrl</c:anyType>
  <c:anyType i:type="d:string"
xmlns:d="http://www.w3.org/2001/XMLSchema">WorkEmail</c:anyType>
  <c:anyType i:type="d:string"
xmlns:d="http://www.w3.org/2001/XMLSchema">Path</c:anyType>
  <c:anyType i:type="d:string"
xmlns:d="http://www.w3.org/2001/XMLSchema">HitHighlightedSummary</c:anyType>
  <c:anyType i:type="d:string"
xmlns:d="http://www.w3.org/2001/XMLSchema">HitHighlightedProperties</c:anyType>
  <c:anyType i:type="d:string"
xmlns:d="http://www.w3.org/2001/XMLSchema">Responsibility</c:anyType>
  <c:anyType i:type="d:string"
xmlns:d="http://www.w3.org/2001/XMLSchema">Skills</c:anyType>
  <c:anyType i:type="d:string"
xmlns:d="http://www.w3.org/2001/XMLSchema">SipAddress</c:anyType>
  <c:anyType i:type="d:string"
xmlns:d="http://www.w3.org/2001/XMLSchema">Schools</c:anyType>
  <c:anyType i:type="d:string"
xmlns:d="http://www.w3.org/2001/XMLSchema">PastProjects</c:anyType>
  <c:anyType i:type="d:string"
xmlns:d="http://www.w3.org/2001/XMLSchema">Interests</c:anyType>
  <c:anyType i:type="d:string"
xmlns:d="http://www.w3.org/2001/XMLSchema">OrgNames</c:anyType>
  <c:anyType i:type="d:string"
xmlns:d="http://www.w3.org/2001/XMLSchema">OrgUrls</c:anyType>
  <c:anyType i:type="d:string"
xmlns:d="http://www.w3.org/2001/XMLSchema">OrgParentNames</c:anyType>
  <c:anyType i:type="d:string"
xmlns:d="http://www.w3.org/2001/XMLSchema">OrgParentUrls</c:anyType>
  <c:anyType i:type="d:string"
xmlns:d="http://www.w3.org/2001/XMLSchema">Memberships</c:anyType>
  <c:anyType i:type="d:string"
xmlns:d="http://www.w3.org/2001/XMLSchema">AboutMe</c:anyType>
  <c:anyType i:type="d:string"
xmlns:d="http://www.w3.org/2001/XMLSchema">BaseOfficeLocation</c:anyType>
  <c:anyType i:type="d:string"
xmlns:d="http://www.w3.org/2001/XMLSchema">ServiceApplicationID</c:anyType>
  <c:anyType i:type="d:string"
xmlns:d="http://www.w3.org/2001/XMLSchema">SocialDistance</c:anyType>
</b>SelectProperties>
<b:SimilarTo></b:SimilarTo>
<b:SimilarType>None</b:SimilarType>
<b:SortList>
  <b:m_elements>
    <b:Sort>

```

```

        <b:direction>Descending</b:direction>
        <b:strProperty>Rank</b:strProperty>
      </b:Sort>
    </b:m_elements>
  </b:SortList>
  <b:SortSimilar>true</b:SortSimilar>
  <b:TrimDuplicatesIncludeId>0</b:TrimDuplicatesIncludeId>
  <b:TrimDuplicatesKeepCount>1</b:TrimDuplicatesKeepCount>
  <b:TrimDuplicatesOnProperty></b:TrimDuplicatesOnProperty>
  <b:UserContextData i:nil="true"></b:UserContextData>
  <b:UserContextGroupID i:nil="true"></b:UserContextGroupID>
</properties>
</Execute>
</s:Body>
</s:Envelope>

```

The protocol server then responds with the following:



```

<s:Envelope
  xmlns:s="http://www.w3.org/2003/05/soap-envelope"
  xmlns:a="http://www.w3.org/2005/08/addressing"
  xmlns:u="http://docs.oasis-open.org/wss/2004/01/oasis-200401-wss-wssecurity-utility-1.0.xsd">
  <s:Header>
    <a:Action s:mustUnderstand="1">
      http://tempuri.org/ISearchQueryServiceApplication/ExecuteResponse
    </a:Action>
    <ActivityId>
      CorrelationId="b0fc7d5c-0bd2-4724-8aef-d40eb251c154"
      xmlns="http://schemas.microsoft.com/2004/09/ServiceModel/Diagnostics">
        b4751329-28ff-489f-81c7-7c0e5f3dad7a
      </ActivityId>
    <a:RelatesTo>
      urn:uuid:e72b47ca-9794-46f9-8bd3-b0a84c16e4fe
    </a:RelatesTo>
  </s:Header>
  <s:Body>
    <ExecuteResponse xmlns="http://tempuri.org/">
      <ExecuteResult
        xmlns:b="http://www.microsoft.com/sharepoint/search/KnownTypes/2008/08"
        xmlns:i="http://www.w3.org/2001/XMLSchema-instance">
        <b:DatabaseTime>16</b:DatabaseTime>
        <b:Definition i:nil="true"></b:Definition>
        <b:ElapsedTime>65</b:ElapsedTime>
        <b:IgnoredNoiseWords
          xmlns:c="http://schemas.microsoft.com/2003/10/Serialization/Arrays">
        </b:IgnoredNoiseWords>
        <b:KeywordInformation>
          <b:Definition></b:Definition>
          <b:Keyword></b:Keyword>
        </b:KeywordInformation>
        <b:QueryMachine>.\ff04f7fc-650a-4317-8806-49d4a9b49d43-query-0</b:QueryMachine>
        <b:QueryModification i:nil="true"></b:QueryModification>
        <b:QueryProcessingTime>65</b:QueryProcessingTime>
        <b:QueryTerms xmlns:c="http://schemas.microsoft.com/2003/10/Serialization/Arrays">
          <c:string>Sample Search Terms</c:string>
        </b:QueryTerms>
        <b:SpellingSuggestion></b:SpellingSuggestion>
        <b:m_ResultTables
          xmlns:c="http://schemas.microsoft.com/2003/10/Serialization/Arrays">
          <c:KeyValueOfResultTypeResultTableUTLV0zE5>
            <c:Key>RelevantResults</c:Key>
            <c:Value>
              <b:IsTotalRowsExact>true</b:IsTotalRowsExact>
              <b:ResultType>RelevantResults</b:ResultType>
              <b:RowCount>0</b:RowCount>
              <b:Table>

```

```

        <xs:schema id="NewDataSet" xmlns:xs="http://www.w3.org/2001/XMLSchema"
xmlns="" xmlns:msdata="urn:schemas-microsoft-com:xml-msdata">
        <xs:element name="NewDataSet" msdata:IsDataSet="true"
msdata:MainDataTable="RelevantResults" msdata:UseCurrentLocale="true">
        <xs:complexType>
        <xs:choice minOccurs="0" maxOccurs="unbounded">
        <xs:element name="RelevantResults">
        <xs:complexType>
        <xs:sequence>
        <xs:element name="WorkId" type="xs:long"
minOccurs="0"></xs:element>
        <xs:element name="UserProfile_GUID" type="xs:string"
minOccurs="0"></xs:element>
        <xs:element name="AccountName" type="xs:string"
minOccurs="0"></xs:element>
        <xs:element name="PreferredName" type="xs:string"
minOccurs="0"></xs:element>
        <xs:element name="YomiDisplayName" type="xs:string"
minOccurs="0"></xs:element>
        <xs:element name="JobTitle" type="xs:string"
minOccurs="0"></xs:element>
        <xs:element name="Department" type="xs:string"
minOccurs="0"></xs:element>
        <xs:element name="WorkPhone" type="xs:string"
minOccurs="0"></xs:element>
        <xs:element name="OfficeNumber" type="xs:string"
minOccurs="0"></xs:element>
        <xs:element name="PictureURL" type="xs:string"
minOccurs="0"></xs:element>
        <xs:element name="HierarchyUrl" type="xs:string"
minOccurs="0"></xs:element>
        <xs:element name="WorkEmail" type="xs:string"
minOccurs="0"></xs:element>
        <xs:element name="Path" type="xs:string"
minOccurs="0"></xs:element>
        <xs:element name="HitHighlightedSummary" type="xs:string"
minOccurs="0"></xs:element>
        <xs:element name="HitHighlightedProperties" type="xs:string"
minOccurs="0"></xs:element>
        <xs:element name="Responsibility"
msdata:DataType="System.String[], mscorlib, Version=2.0.0.0, Culture=neutral,
PublicKeyToken=b77a5c561934e089" type="xs:anyType" minOccurs="0"></xs:element>
        <xs:element name="Skills" msdata:DataType="System.String[],
mscorlib, Version=2.0.0.0, Culture=neutral, PublicKeyToken=b77a5c561934e089"
type="xs:anyType" minOccurs="0"></xs:element>
        <xs:element name="SipAddress" type="xs:string"
minOccurs="0"></xs:element>
        <xs:element name="Schools" msdata:DataType="System.String[],
mscorlib, Version=2.0.0.0, Culture=neutral, PublicKeyToken=b77a5c561934e089"
type="xs:anyType" minOccurs="0"></xs:element>
        <xs:element name="PastProjects"
msdata:DataType="System.String[], mscorlib, Version=2.0.0.0, Culture=neutral,
PublicKeyToken=b77a5c561934e089" type="xs:anyType" minOccurs="0"></xs:element>
        <xs:element name="Interests" msdata:DataType="System.String[],
mscorlib, Version=2.0.0.0, Culture=neutral, PublicKeyToken=b77a5c561934e089"
type="xs:anyType" minOccurs="0"></xs:element>
        <xs:element name="OrgNames" msdata:DataType="System.String[],
mscorlib, Version=2.0.0.0, Culture=neutral, PublicKeyToken=b77a5c561934e089"
type="xs:anyType" minOccurs="0"></xs:element>
        <xs:element name="OrgUrls" msdata:DataType="System.String[],
mscorlib, Version=2.0.0.0, Culture=neutral, PublicKeyToken=b77a5c561934e089"
type="xs:anyType" minOccurs="0"></xs:element>
        <xs:element name="OrgParentNames"
msdata:DataType="System.String[], mscorlib, Version=2.0.0.0, Culture=neutral,
PublicKeyToken=b77a5c561934e089" type="xs:anyType" minOccurs="0"></xs:element>
        <xs:element name="OrgParentUrls"
msdata:DataType="System.String[], mscorlib, Version=2.0.0.0, Culture=neutral,
PublicKeyToken=b77a5c561934e089" type="xs:anyType" minOccurs="0"></xs:element>

```

```

        <xs:element name="Memberships"
msdata:DataType="System.String[], mscorlib, Version=2.0.0.0, Culture=neutral,
PublicKeyToken=b77a5c561934e089" type="xs:anyType" minOccurs="0"></xs:element>
        <xs:element name="AboutMe" type="xs:string"
minOccurs="0"></xs:element>
        <xs:element name="BaseOfficeLocation" type="xs:string"
minOccurs="0"></xs:element>
        <xs:element name="ServiceApplicationID" type="xs:string"
minOccurs="0"></xs:element>
        <xs:element name="SocialDistance" type="xs:long"
minOccurs="0"></xs:element>
    </xs:sequence>
</xs:complexType>
</xs:element>
</xs:choice>
</xs:complexType>
</xs:element>
</xs:schema>
<diffgr:diffgram xmlns:diffgr="urn:schemas-microsoft-com:xml-diffgram-v1"
xmlns:msdata="urn:schemas-microsoft-com:xml-msdata"></diffgr:diffgram>
</b:Table>
<b:TimeZoneID>13</b:TimeZoneID>
<b>TotalRows>0</b>TotalRows>
<b>TotalRowsIncludingDuplicates>0</b>TotalRowsIncludingDuplicates>
</c:Value>
</c:KeyValueOfResultTypeResultTableUTLV0zE5>
</b:m_ResultTables>
</ExecuteResult>
</ExecuteResponse>
</s:Body>
</s:Envelope>

```

4.2 Retrieve Information About the Available Search Scopes

To obtain a list of search scopes, the protocol client sends the following message:

```

<s:Envelope
  xmlns:s="http://www.w3.org/2003/05/soap-envelope"
  xmlns:a="http://www.w3.org/2005/08/addressing"
  xmlns:u="http://docs.oasis-open.org/wss/2004/01/oasis-200401-wss-wssecurity-utility-
1.0.xsd">
  <s:Header>
    <a:Action s:mustUnderstand="1">
      http://tempuri.org/ISearchQueryServiceApplication/GetScopes
    </a:Action>
    <a:MessageID>
      urn:uuid:d7d4cf86-c037-465c-a3b4-312f815c7389
    </a:MessageID>
    <a:ReplyTo>
      <a:Address>
        http://www.w3.org/2005/08/addressing/anonymous
      </a:Address>
    </a:ReplyTo>
    <ServiceContext
      xmlns="http://schemas.microsoft.com/sharepoint/servicecontext"
      xmlns:i="http://www.w3.org/2001/XMLSchema-instance">
      <correlationId>
        00000000-0000-0000-0000-000000000000
      </correlationId>
      <language>en-US</language>
      <region>en-US</region>
      <siteSubscriptionId i:nil="true"></siteSubscriptionId>
    </ServiceContext>
    <a:To s:mustUnderstand="1" u:Id=" 1">
      http://example.com:32843/dc46e19968e743728529b721db8c8c60/SearchService.svc
    </a:To>
  </s:Header>
  <s:Body>
  </s:Body>
</s:Envelope>

```

```

</s:Header>
<s:Body>
  <GetScopes xmlns="http://tempuri.org/">
    <properties
      i:type="b:KeywordQueryProperties"
      xmlns:b="http://www.microsoft.com/sharepoint/search/KnownTypes/2008/08"
      xmlns:i="http://www.w3.org/2001/XMLSchema-instance">
      <b:AlertInfo>
        <b:ChangeType>Discovered</b:ChangeType>
        <b:LastUpdateTime>0001-01-01T00:00:00</b:LastUpdateTime>
      </b:AlertInfo>
      <b:AuthenticationType>NtAuthenticatedQuery</b:AuthenticationType>
      <b:CorrelationId>00000000-0000-0000-0000-000000000000</b:CorrelationId>
      <b:EnableNicknames>false</b:EnableNicknames>
      <b:EnablePhonetic>false</b:EnablePhonetic>
      <b:EnableStemming>false</b:EnableStemming>
      <b:HighlightedSentenceCount>2</b:HighlightedSentenceCount>
      <b:Hint>None</b:Hint>
      <b:HitHighlightedProperties
        xmlns:c="http://schemas.microsoft.com/2003/10/Serialization/Arrays"></b:HitHighlightedPropert
        ies>
        <b:IgnoreAllNoiseQuery>true</b:IgnoreAllNoiseQuery>
        <b:KeywordInclusion>AllKeywords</b:KeywordInclusion>
        <b:Locale>1033</b:Locale>
        <b:MergeWithDefaultPartition>false</b:MergeWithDefaultPartition>
        <b:PagingCookie i:nil="true"
          xmlns:c="http://schemas.datacontract.org/2004/07/Microsoft.Office.Server.Search.Query"></b:Pa
          gingCookie>
        <b:PartitionId>00000000-0000-0000-0000-000000000000</b:PartitionId>
        <b:PersonalizationData i:nil="true"></b:PersonalizationData>
        <b:QueryText></b:QueryText>
        <b:RankingModelId></b:RankingModelId>
        <b:ResultTypes>None</b:ResultTypes>
        <b:ResultsProvider>Default</b:ResultsProvider>
        <b:RowLimit>50</b:RowLimit>
        <b:RowsPerPage>50</b:RowsPerPage>
        <b:Sid></b:Sid>
        <b:SiteId>496f265c-4758-4ac5-b14d-d02dfal31a64</b:SiteId>
        <b:StartRow>0</b:StartRow>
        <b:SummaryLength>200</b:SummaryLength>
        <b:TimeZoneID>-1</b:TimeZoneID>
        <b:Timeout>10000</b:Timeout>
        <b>TotalRowsExactMinimum>200</b>TotalRowsExactMinimum>
        <b:TrimDuplicates>true</b:TrimDuplicates>
        <b:UrlZone>Default</b:UrlZone>
        <b:CustomRefinementIntervals
          xmlns:c="http://schemas.microsoft.com/2003/10/Serialization/Arrays"></b:CustomRefinementInter
          vals>
        <b:EnableFQL>false</b:EnableFQL>
        <b:EnableSpellcheck>Suggest</b:EnableSpellcheck>
        <b:EnableUrlSmashing>true</b:EnableUrlSmashing>
        <b:HiddenConstraints></b:HiddenConstraints>
        <b:MaxShallowRefinementHits>100</b:MaxShallowRefinementHits>
        <b:MaxSummaryLength>185</b:MaxSummaryLength>
        <b:MaxUrlLength>2048</b:MaxUrlLength>
        <b:RefinementFilters
          xmlns:c="http://schemas.microsoft.com/2003/10/Serialization/Arrays"></b:RefinementFilters>
        <b:Refiners></b:Refiners>
        <b:ResubmitFlags>NoResubmit</b:ResubmitFlags>
        <b>SelectProperties
          xmlns:c="http://schemas.microsoft.com/2003/10/Serialization/Arrays"></b>SelectProperties>
        <b:SimilarTo></b:SimilarTo>
        <b:SimilarType>None</b:SimilarType>
        <b:SortList>
          <b:m elements></b:m elements>
        </b:SortList>
        <b:SortSimilar>true</b:SortSimilar>
        <b:TrimDuplicatesIncludeId>0</b:TrimDuplicatesIncludeId>
        <b:TrimDuplicatesKeepCount>1</b:TrimDuplicatesKeepCount>

```

```

        <b:TrimDuplicatesOnProperty></b:TrimDuplicatesOnProperty>
        <b:UserContextData i:nil="true"></b:UserContextData>
        <b:UserContextGroupID i:nil="true"></b:UserContextGroupID>
    </properties>
</GetScopes>
</s:Body>
</s:Envelope>

```

The protocol server then responds with the following message:

```

<s:Envelope
  xmlns:s="http://www.w3.org/2003/05/soap-envelope"
  xmlns:a="http://www.w3.org/2005/08/addressing"
  xmlns:u="http://docs.oasis-open.org/wss/2004/01/oasis-200401-wss-wssecurity-utility-1.0.xsd">
  <s:Header>
    <a:Action s:mustUnderstand="1">
      http://tempuri.org/ISearchQueryServiceApplication/GetScopesResponse
    </a:Action>
    <ActivityId
      CorrelationId="bdba89e0-c9c9-4666-8e9b-6e6a973698e3"
      xmlns="http://schemas.microsoft.com/2004/09/ServiceModel/Diagnostics">
      91f7046f-9144-48ed-9eb0-4518e8739b56
    </ActivityId>
    <a:RelatesTo
      urn:uuid:d7d4cf86-c037-465c-a3b4-312f815c7389
    </a:RelatesTo>
  </s:Header>
  <s:Body>
    <GetScopesResponse xmlns="http://tempuri.org/">
      <GetScopesResult
        xmlns:b="http://www.microsoft.com/sharepoint/search/KnownTypes/2008/08"
        xmlns:i="http://www.w3.org/2001/XMLSchema-instance">
        <b:ScopeInformation>
          <b:Description>Search for people.</b:Description>
          <b:Filter i:nil="true"></b:Filter>
          <b:ID>0</b:ID>
          <b>Name>People</b>Name>
          <b:State>Compiled</b:State>
        </b:ScopeInformation>
        <b:ScopeInformation>
          <b:Description>Search for everything available for searching.</b:Description>
          <b:Filter i:nil="true"></b:Filter>
          <b:ID>1</b:ID>
          <b>Name>All Sites</b>Name>
          <b:State>Compiled</b:State>
        </b:ScopeInformation>
        <b:ScopeInformation>
          <b:Description>Everything that should be omitted from all searches by
default.</b:Description>
          <b:Filter i:nil="true"></b:Filter>
          <b:ID>2</b:ID>
          <b>Name>Global Query Exclusion</b>Name>
          <b:State>Empty</b:State>
        </b:ScopeInformation>
        <b:ScopeInformation>
          <b:Description>Sites whose ranks will be demoted in click-distance
calculation.</b:Description>
          <b:Filter i:nil="true"></b:Filter>
          <b:ID>3</b:ID>
          <b>Name>Rank Demoted Sites</b>Name>
          <b:State>Empty</b:State>
        </b:ScopeInformation>
      </GetScopesResult>
    </GetScopesResponse>
  </s:Body>

```

```
</s:Envelope>
```

4.3 Notify the Occurrence of a Clickthrough

To notify the protocol server that a **clickthrough** occurs, the protocol client sends the following message:

```
<s:Envelope
  xmlns:s="http://www.w3.org/2003/05/soap-envelope"
  xmlns:a="http://www.w3.org/2005/08/addressing"
  xmlns:u="http://docs.oasis-open.org/wss/2004/01/oasis-200401-wss-wssecurity-utility-1.0.xsd">
  <s:Header>
    <a:Action s:mustUnderstand="1">
      http://tempuri.org/ISearchQueryServiceApplication/RecordClick
    </a:Action>
    <a:MessageID>
      urn:uuid:e3abfa76-8102-4474-80dc-c1fb0f4d3e6b
    </a:MessageID>
    <a:ReplyTo>
      <a:Address>
        http://www.w3.org/2005/08/addressing/anonymous
      </a:Address>
    </a:ReplyTo>
    <ServiceContext
      xmlns="http://schemas.microsoft.com/sharepoint/servicecontext"
      xmlns:i="http://www.w3.org/2001/XMLSchema-instance">
      <correlationId>
        e43114bd-1945-4b2a-9b34-2de773bd373d
      </correlationId>
      <language>en-US</language>
      <region>en-US</region>
      <siteSubscriptionId>
        00000000-0000-0000-0000-000000000000
      </siteSubscriptionId>
    </ServiceContext>
    <a:To s:mustUnderstand="1" u:Id=" 1">
      http://example.com:32843/dc46e19968e743728529b721db8c8c60/SearchService.svc
    </a:To>
  </s:Header>
  <s:Body>
    <RecordClick xmlns="http://tempuri.org/">
      <Info
        xmlns:b="http://www.microsoft.com/sharepoint/search/KnownTypes/2008/08"
        xmlns:i="http://www.w3.org/2001/XMLSchema-instance">
        <b:AdvancedSearch>>false</b:AdvancedSearch>
        <b:BestBetClicked i:nil="true"></b:BestBetClicked>
        <b:ClickTime>2010-01-09T03:02:37.5372195Z</b:ClickTime>
        <b:ClickedUrl>http://example.com:9001/329.htm</b:ClickedUrl>
        <b:ClickedUrlRank>1</b:ClickedUrlRank>
        <b:ClientType>ObjectModel</b:ClientType>
        <b:ContextualScope i:nil="true"></b:ContextualScope>
        <b:ContextualScopeUrl i:nil="true"></b:ContextualScopeUrl>
        <b:ContinuedSession>>false</b:ContinuedSession>
        <b:Definitions>>false</b:Definitions>
        <b:DidYouMean i:nil="true"></b:DidYouMean>
        <b:DidYouMeanReturned>>false</b:DidYouMeanReturned>
        <b:ItemsPerPage>0</b:ItemsPerPage>
        <b:Location>LocalPeopleSearchIndex</b:Location>
        <b:LogType>Click</b:LogType>
        <b:NonClickedUrls i:nil="true"
          xmlns:c="http://schemas.microsoft.com/2003/10/Serialization/Arrays"></b:NonClickedUrls>
        <b:NumBestBets>0</b:NumBestBets>
        <b:NumHighConfidenceResults>0</b:NumHighConfidenceResults>
        <b:NumResults>1</b:NumResults>
        <b:QueryCulture i:nil="true"></b:QueryCulture>
      </Info>
    </RecordClick>
  </s:Body>
</s:Envelope>
```



```

    <b:QueryGuid>f975132d-c078-4d1d-a21a-95e3e4f1236e</b:QueryGuid>
    <b:QueryServer i:nil="true"></b:QueryServer>
    <b:QueryString>username</b:QueryString>
    <b:ReferrerUrl></b:ReferrerUrl>
    <b:ResultView>0</b:ResultView>
    <b:ResultsUrl>
      http://example.com/sites/enterprise/Pages/peoplereults.aspx
    </b:ResultsUrl>
    <b:Scopes i:nil="true"
xmlns:c="http://schemas.microsoft.com/2003/10/Serialization/Arrays"></b:Scopes>
    <b:SearchServiceApplicationID i:nil="true"></b:SearchServiceApplicationID>
    <b:SearchTime>2010-01-08T19:02:33.6804183-08:00</b:SearchTime>
    <b:SessionId>88d37ff3-3032-4db0-afd7-f58a027630d3</b:SessionId>
    <b:SiteGuid>496f265c-4758-4ac5-b14d-d02dfa131a64</b:SiteGuid>
    <b:StartItem>1</b:StartItem>
    <b:TenantId>00000000-0000-0000-0000-000000000000</b:TenantId>
    <b>Title></b>Title>
    <b>TotalResults>1</b>TotalResults>
    <b:UserName>DOMAINNAME\username</b:UserName>
  </Info>
</RecordClick>
</s:Body>
</s:Envelope>

```

The protocol server then responds with the message:

```

<s:Envelope
  xmlns:s="http://www.w3.org/2003/05/soap-envelope"
  xmlns:a="http://www.w3.org/2005/08/addressing"
  xmlns:u="http://docs.oasis-open.org/wss/2004/01/oasis-200401-wss-wssecurity-utility-1.0.xsd">
  <s:Header>
    <a:Action s:mustUnderstand="1">
      http://tempuri.org/ISearchQueryServiceApplication/RecordClickResponse
    </a:Action>
    <ActivityId
      CorrelationId="70e5cebf-95c6-478d-b4ef-3ff8ab75e1bf"
      xmlns="http://schemas.microsoft.com/2004/09/ServiceModel/Diagnostics">
      b9a7b9dc-5f47-4ff5-be9f-c720f2b687cd
    </ActivityId>
    <a:RelatesTo>urn:uuid:e3abfa76-8102-4474-80dc-clfb0f4d3e6b</a:RelatesTo>
  </s:Header>
  <s:Body>
    <RecordClickResponse xmlns="http://tempuri.org/"></RecordClickResponse>
  </s:Body>
</s:Envelope>

```

4.4 Obtain the Click Frequency for a Given URI

To obtain the frequency of clicks in the last week and in the last month for a given URI, the protocol client sends a message such as this one:

```

<s:Envelope
  xmlns:s="http://www.w3.org/2003/05/soap-envelope"
  xmlns:a="http://www.w3.org/2005/08/addressing"
  xmlns:u="http://docs.oasis-open.org/wss/2004/01/oasis-200401-wss-wssecurity-utility-1.0.xsd">
  <s:Header>
    <a:Action s:mustUnderstand="1">
      http://tempuri.org/ISearchQueryServiceApplication/GetClickFrequenciesForUrl
    </a:Action>
    <a:MessageID>
      urn:uuid:b55f5f0f-01fc-4a69-9bb7-c838fc30ab8d
    </a:MessageID>

```

```

<a:ReplyTo>
  <a:Address>
    http://www.w3.org/2005/08/addressing/anonymous
  </a:Address>
</a:ReplyTo>
<ServiceContext xmlns="http://schemas.microsoft.com/sharepoint/servicecontext"
xmlns:i="http://www.w3.org/2001/XMLSchema-instance">
  <correlationId>f6c1f646-bb29-40f4-ae6d-c2fb3b0506a2</correlationId>
  <language>en-US</language>
  <region>en-US</region>
  <siteSubscriptionId>
    00000000-0000-0000-0000-000000000000
  </siteSubscriptionId>
</ServiceContext>
<a:To s:mustUnderstand="1" u:Id="_1">
  http://example.com:32843/dc46e19968e743728529b721db8c8c60/SearchService.svc
</a:To>
</s:Header>
<s:Body>
  <GetClickFrequenciesForUrl xmlns="http://tempuri.org/">
    <url>
      http://example.com/my/Person.aspx?accountname=DOMAINNAME\username
    </url>
    <referenceDate>2010-01-09T00:00:00Z</referenceDate>
  </GetClickFrequenciesForUrl>
</s:Body>
</s:Envelope>

```

And then the protocol server returns the message:



```

<s:Envelope
  xmlns:s="http://www.w3.org/2003/05/soap-envelope"
  xmlns:a="http://www.w3.org/2005/08/addressing"
  xmlns:u="http://docs.oasis-open.org/wss/2004/01/oasis-200401-wss-wssecurity-utility-
1.0.xsd">
  <s:Header>
    <a:Action s:mustUnderstand="1">
      http://tempuri.org/ISearchQueryServiceApplication/GetClickFrequenciesForUrlResponse
    </a:Action>
    <ActivityId
      CorrelationId="85651650-f78f-495d-b291-cce8811c72e3"
      xmlns="http://schemas.microsoft.com/2004/09/ServiceModel/Diagnostics">
      3e203fdf-387a-49da-90da-9d6eaef1f9b4
    </ActivityId>
    <a:RelatesTo
      urn:uuid:b55f5f0f-01fc-4a69-9bb7-c838fc30ab8d
    </a:RelatesTo>
  </s:Header>
  <s:Body>
    <GetClickFrequenciesForUrlResponse xmlns="http://tempuri.org/">
      <GetClickFrequenciesForUrlResult>
        <int xmlns="http://schemas.microsoft.com/2003/10/Serialization/Arrays">1</int>
        <int xmlns="http://schemas.microsoft.com/2003/10/Serialization/Arrays">1</int>
      </GetClickFrequenciesForUrlResult>
    </GetClickFrequenciesForUrlResponse>
  </s:Body>
</s:Envelope>

```

5 Security

5.1 Security Considerations for Implementers

None.

5.2 Index of Security Parameters

None.

Preliminary

6 Appendix A: Full WSDL

For ease of implementation, the full WSDL is provided in this appendix.

```
<?xml version="1.0" encoding="UTF-8"?>
<wsdl:definitions xmlns:xs="http://www.w3.org/2001/XMLSchema"
xmlns:soap="http://schemas.xmlsoap.org/wsdl/soap/" xmlns:tns="http://tempuri.org/"
xmlns:wsaw="http://www.w3.org/2006/05/addressing/wsdl" targetNamespace="http://tempuri.org/"
xmlns:wsdl="http://schemas.xmlsoap.org/wsdl/">
  <wsdl:types>
    <xs:schema xmlns:tns8="http://tempuri.org/Imports"
targetNamespace="http://tempuri.org/Imports">
      <xs:import
namespace="http://schemas.datacontract.org/2004/07/Microsoft.BusinessData.Infrastructure.SecureStore"/>
      <xs:import
namespace="http://schemas.datacontract.org/2004/07/Microsoft.Ceres.CoreServices.Utils.Azure"/>
      <xs:import
namespace="http://schemas.datacontract.org/2004/07/Microsoft.Office.SecureStoreService.Server"/>
      <xs:import
namespace="http://schemas.datacontract.org/2004/07/Microsoft.Office.Server.Search.Administration"/>
      <xs:import
namespace="http://schemas.datacontract.org/2004/07/Microsoft.Office.Server.Search.Monitoring"/>
      <xs:import
namespace="http://schemas.datacontract.org/2004/07/Microsoft.Office.Server.Search.Query"/>
      <xs:import
namespace="http://schemas.datacontract.org/2004/07/Microsoft.SharePoint.Administration"/>
      <xs:import
namespace="http://schemas.datacontract.org/2004/07/System.Collections.Generic"/>
      <xs:import namespace="http://schemas.datacontract.org/2004/07/System.Data"/>
      <xs:import namespace="http://schemas.datacontract.org/2004/07/System.Globalization"/>
      <xs:import namespace="http://schemas.microsoft.com/2003/10/Serialization"/>
      <xs:import namespace="http://schemas.microsoft.com/2003/10/Serialization/Arrays"/>
      <xs:import namespace="http://tempuri.org"/>
      <xs:import namespace="http://www.microsoft.com/sharepoint/search/KnownTypes/2008/08"/>
    </xs:schema>
  </wsdl:types>
  <wsdl:portType name="ISearchQueryServiceApplication">
    <wsdl:operation name="GetSearchTerms">
      <wsdl:input
wsaw:Action="http://tempuri.org/ISearchQueryServiceApplication/GetSearchTerms"
message="tns:ISearchQueryServiceApplication_GetSearchTerms_InputMessage"/>
      <wsdl:output
wsaw:Action="http://tempuri.org/ISearchQueryServiceApplication/GetSearchTermsResponse"
message="tns:ISearchQueryServiceApplication_GetSearchTerms_OutputMessage"/>
      <wsdl:fault
wsaw:Action="http://tempuri.org/ISearchQueryServiceApplication/GetSearchTermsSearchServiceApplicationFaultFault" name="SearchServiceApplicationFaultFault"
message="tns:ISearchQueryServiceApplication_GetSearchTerms_SearchServiceApplicationFaultFaultFaultMessage"/>
    </wsdl:operation>
    <wsdl:operation name="Execute">
      <wsdl:input wsaw:Action="http://tempuri.org/ISearchQueryServiceApplication/Execute"
message="tns:ISearchQueryServiceApplication_Execute_InputMessage"/>
      <wsdl:output
wsaw:Action="http://tempuri.org/ISearchQueryServiceApplication/ExecuteResponse"
message="tns:ISearchQueryServiceApplication_Execute_OutputMessage"/>
      <wsdl:fault
wsaw:Action="http://tempuri.org/ISearchQueryServiceApplication/ExecuteSearchServiceApplicationFaultFault" name="SearchServiceApplicationFaultFault"
message="tns:ISearchQueryServiceApplication_Execute_SearchServiceApplicationFaultFault FaultMessage"/>
    </wsdl:operation>
  </wsdl:portType>

```

```

    <wsdl:operation name="GetProperties">
      <wsdl:input
wsaw:Action="http://tempuri.org/ISearchQueryServiceApplication/GetProperties"
message="tns:ISearchQueryServiceApplication_GetProperties_InputMessage"/>
      <wsdl:output
wsaw:Action="http://tempuri.org/ISearchQueryServiceApplication/GetPropertiesResponse"
message="tns:ISearchQueryServiceApplication_GetProperties_OutputMessage"/>
      <wsdl:fault
wsaw:Action="http://tempuri.org/ISearchQueryServiceApplication/GetPropertiesSearchServiceAppl
icationFaultFault" name="SearchServiceApplicationFaultFault"
message="tns:ISearchQueryServiceApplication_GetProperties_SearchServiceApplicationFaultFault
FaultMessage"/>
    </wsdl:operation>
    <wsdl:operation name="GetScopes">
      <wsdl:input wsaw:Action="http://tempuri.org/ISearchQueryServiceApplication/GetScopes"
message="tns:ISearchQueryServiceApplication_GetScopes_InputMessage"/>
      <wsdl:output
wsaw:Action="http://tempuri.org/ISearchQueryServiceApplication/GetScopesResponse"
message="tns:ISearchQueryServiceApplication_GetScopes_OutputMessage"/>
      <wsdl:fault
wsaw:Action="http://tempuri.org/ISearchQueryServiceApplication/GetScopesSearchServiceAppl
icationFaultFault" name="SearchServiceApplicationFaultFault"
message="tns:ISearchQueryServiceApplication_GetScopes_SearchServiceApplicationFaultFault Faul
tMessage"/>
    </wsdl:operation>
    <wsdl:operation name="GetQuerySuggestions">
      <wsdl:input
wsaw:Action="http://tempuri.org/ISearchQueryServiceApplication/GetQuerySuggestions"
message="tns:ISearchQueryServiceApplication_GetQuerySuggestions_InputMessage"/>
      <wsdl:output
wsaw:Action="http://tempuri.org/ISearchQueryServiceApplication/GetQuerySuggestionsResponse"
message="tns:ISearchQueryServiceApplication_GetQuerySuggestions_OutputMessage"/>
      <wsdl:fault
wsaw:Action="http://tempuri.org/ISearchQueryServiceApplication/GetQuerySuggestionsSearchS
erviceApplicationFaultFault" name="SearchServiceApplicationFaultFault"
message="tns:ISearchQueryServiceApplication_GetQuerySuggestions_SearchServiceApplicationFaul
tFault_FaultMessage"/>
    </wsdl:operation>
    <wsdl:operation name="HighlightStringValue">
      <wsdl:input
wsaw:Action="http://tempuri.org/ISearchQueryServiceApplication/HighlightStringValue"
message="tns:ISearchQueryServiceApplication_HighlightStringValue_InputMessage"/>
      <wsdl:output
wsaw:Action="http://tempuri.org/ISearchQueryServiceApplication/HighlightStringValueResponse"
message="tns:ISearchQueryServiceApplication_HighlightStringValue_OutputMessage"/>
      <wsdl:fault
wsaw:Action="http://tempuri.org/ISearchQueryServiceApplication/HighlightStringValueSearchS
erviceApplicationFaultFault" name="SearchServiceApplicationFaultFault"
message="tns:ISearchQueryServiceApplication_HighlightStringValue_SearchServiceApplicationFaul
tFault_FaultMessage"/>
    </wsdl:operation>
    <wsdl:operation name="HighlightStringValueQuerySuggestions">
      <wsdl:input
wsaw:Action="http://tempuri.org/ISearchQueryServiceApplication/HighlightStringValueQuerySugge
stions"
message="tns:ISearchQueryServiceApplication_HighlightStringValueQuerySuggestions_InputMessag
e"/>
      <wsdl:output
wsaw:Action="http://tempuri.org/ISearchQueryServiceApplication/HighlightStringValueQuerySugge
stionsResponse"
message="tns:ISearchQueryServiceApplication_HighlightStringValueQuerySuggestions_OutputMessag
e"/>
      <wsdl:fault
wsaw:Action="http://tempuri.org/ISearchQueryServiceApplication/HighlightStringValueQuerySugge
stionsSearchServiceApplicationFaultFault" name="SearchServiceApplicationFaultFault"
message="tns:ISearchQueryServiceApplication_HighlightStringValueQuerySuggestions_SearchS
erviceApplicationFaultFault_FaultMessage"/>
    </wsdl:operation>
    <wsdl:operation name="GetClickFrequenciesForUrl">

```

```

    <wsdl:input
wsaw:Action="http://tempuri.org/ISearchQueryServiceApplication/GetClickFrequenciesForUrl"
message="tns:ISearchQueryServiceApplication_GetClickFrequenciesForUrl_InputMessage"/>
    <wsdl:output
wsaw:Action="http://tempuri.org/ISearchQueryServiceApplication/GetClickFrequenciesForUrlResponse" message="tns:ISearchQueryServiceApplication_GetClickFrequenciesForUrl_OutputMessage"/>
    <wsdl:fault
wsaw:Action="http://tempuri.org/ISearchQueryServiceApplication/GetClickFrequenciesForUrlSearchServiceApplicationFaultFault" name="SearchServiceApplicationFaultFault"
message="tns:ISearchQueryServiceApplication_GetClickFrequenciesForUrl_SearchServiceApplicationFaultFault_FaultMessage"/>
    </wsdl:operation>
    <wsdl:operation name="GetTopQueryStringsForUrl">
    <wsdl:input
wsaw:Action="http://tempuri.org/ISearchQueryServiceApplication/GetTopQueryStringsForUrl"
message="tns:ISearchQueryServiceApplication_GetTopQueryStringsForUrl_InputMessage"/>
    <wsdl:output
wsaw:Action="http://tempuri.org/ISearchQueryServiceApplication/GetTopQueryStringsForUrlResponse" message="tns:ISearchQueryServiceApplication_GetTopQueryStringsForUrl_OutputMessage"/>
    <wsdl:fault
wsaw:Action="http://tempuri.org/ISearchQueryServiceApplication/GetTopQueryStringsForUrlSearchServiceApplicationFaultFault" name="SearchServiceApplicationFaultFault"
message="tns:ISearchQueryServiceApplication_GetTopQueryStringsForUrl_SearchServiceApplicationFaultFault_FaultMessage"/>
    </wsdl:operation>
    <wsdl:operation name="RecordClick">
    <wsdl:input wsaw:Action="http://tempuri.org/ISearchQueryServiceApplication/RecordClick"
message="tns:ISearchQueryServiceApplication_RecordClick_InputMessage"/>
    <wsdl:output
wsaw:Action="http://tempuri.org/ISearchQueryServiceApplication/RecordClickResponse"
message="tns:ISearchQueryServiceApplication_RecordClick_OutputMessage"/>
    <wsdl:fault
wsaw:Action="http://tempuri.org/ISearchQueryServiceApplication/RecordClickSearchServiceApplicationFaultFault" name="SearchServiceApplicationFaultFault"
message="tns:ISearchQueryServiceApplication_RecordClick_SearchServiceApplicationFaultFault_FaultMessage"/>
    </wsdl:operation>
    <wsdl:operation name="RecordPageClick">
    <wsdl:input
wsaw:Action="http://tempuri.org/ISearchQueryServiceApplication/RecordPageClick"
message="tns:ISearchQueryServiceApplication_RecordPageClick_InputMessage"/>
    <wsdl:output
wsaw:Action="http://tempuri.org/ISearchQueryServiceApplication/RecordPageClickResponse"
message="tns:ISearchQueryServiceApplication_RecordPageClick_OutputMessage"/>
    <wsdl:fault
wsaw:Action="http://tempuri.org/ISearchQueryServiceApplication/RecordPageClickSearchServiceApplicationFaultFault" name="SearchServiceApplicationFaultFault"
message="tns:ISearchQueryServiceApplication_RecordPageClick_SearchServiceApplicationFaultFault_FaultMessage"/>
    </wsdl:operation>
    <wsdl:operation name="GetSearchServiceApplicationInfo">
    <wsdl:input
wsaw:Action="http://tempuri.org/ISearchQueryServiceApplication/GetSearchServiceApplicationInfo"
message="tns:ISearchQueryServiceApplication_GetSearchServiceApplicationInfo_InputMessage"/>
    <wsdl:output
wsaw:Action="http://tempuri.org/ISearchQueryServiceApplication/GetSearchServiceApplicationInfoResponse"
message="tns:ISearchQueryServiceApplication_GetSearchServiceApplicationInfo_OutputMessage"/>
    <wsdl:fault
wsaw:Action="http://tempuri.org/ISearchQueryServiceApplication/GetSearchServiceApplicationInfoSearchServiceApplicationFaultFault" name="SearchServiceApplicationFaultFault"
message="tns:ISearchQueryServiceApplication_GetSearchServiceApplicationInfo_SearchServiceApplicationFaultFault_FaultMessage"/>
    </wsdl:operation>
    <wsdl:operation name="RecordUIQueryDoneEvent">
    <wsdl:input
wsaw:Action="http://tempuri.org/ISearchQueryServiceApplication/RecordUIQueryDoneEvent"
message="tns:ISearchQueryServiceApplication_RecordUIQueryDoneEvent_InputMessage"/>

```

```

    <wsdl:output
wsaw:Action="http://tempuri.org/ISearchQueryServiceApplication/RecordUIQueryDoneEventResponse
" message="tns:ISearchQueryServiceApplication_RecordUIQueryDoneEvent_OutputMessage"/>
    <wsdl:fault
wsaw:Action="http://tempuri.org/ISearchQueryServiceApplication/RecordUIQueryDoneEventSearchSe
rviceApplicationFaultFault" name="SearchServiceApplicationFaultFault"
message="tns:ISearchQueryServiceApplication_RecordUIQueryDoneEvent_SearchServiceApplicationFa
ultFault_FaultMessage"/>
    </wsdl:operation>
    <wsdl:operation name="RecordWebPartQueryDoneEvent">
    <wsdl:input
wsaw:Action="http://tempuri.org/ISearchQueryServiceApplication/RecordWebPartQueryDoneEvent"
message="tns:ISearchQueryServiceApplication_RecordWebPartQueryDoneEvent_InputMessage"/>
    <wsdl:output
wsaw:Action="http://tempuri.org/ISearchQueryServiceApplication/RecordWebPartQueryDoneEventRes
ponse"
message="tns:ISearchQueryServiceApplication_RecordWebPartQueryDoneEvent_OutputMessage"/>
    <wsdl:fault
wsaw:Action="http://tempuri.org/ISearchQueryServiceApplication/RecordWebPartQueryDoneEventSea
rchServiceApplicationFaultFault" name="SearchServiceApplicationFaultFault"
message="tns:ISearchQueryServiceApplication_RecordWebPartQueryDoneEvent_SearchServiceApplicat
ionFaultFault_FaultMessage"/>
    </wsdl:operation>
    <wsdl:operation name="RecordOMQueryDoneEvent">
    <wsdl:input
wsaw:Action="http://tempuri.org/ISearchQueryServiceApplication/RecordOMQueryDoneEvent"
message="tns:ISearchQueryServiceApplication_RecordOMQueryDoneEvent_InputMessage"/>
    <wsdl:output
wsaw:Action="http://tempuri.org/ISearchQueryServiceApplication/RecordOMQueryDoneEventResponse
" message="tns:ISearchQueryServiceApplication_RecordOMQueryDoneEvent_OutputMessage"/>
    <wsdl:fault
wsaw:Action="http://tempuri.org/ISearchQueryServiceApplication/RecordOMQueryDoneEventSearchSe
rviceApplicationFaultFault" name="SearchServiceApplicationFaultFault"
message="tns:ISearchQueryServiceApplication_RecordOMQueryDoneEvent_SearchServiceApplicationFa
ultFault_FaultMessage"/>
    </wsdl:operation>
    <wsdl:operation name="RecordQueryErrorEvent">
    <wsdl:input
wsaw:Action="http://tempuri.org/ISearchQueryServiceApplication/RecordQueryErrorEvent"
message="tns:ISearchQueryServiceApplication_RecordQueryErrorEvent_InputMessage"/>
    <wsdl:output
wsaw:Action="http://tempuri.org/ISearchQueryServiceApplication/RecordQueryErrorEventResponse"
message="tns:ISearchQueryServiceApplication_RecordQueryErrorEvent_OutputMessage"/>
    <wsdl:fault
wsaw:Action="http://tempuri.org/ISearchQueryServiceApplication/RecordQueryErrorEventSearchSer
viceApplicationFaultFault" name="SearchServiceApplicationFaultFault"
message="tns:ISearchQueryServiceApplication_RecordQueryErrorEvent_SearchServiceApplicationFau
ltFault_FaultMessage"/>
    </wsdl:operation>
    <wsdl:operation name="GetQuerySuggestionsWithResults">
    <wsdl:input
wsaw:Action="http://tempuri.org/ISearchQueryServiceApplication/GetQuerySuggestionsWithResults
" message="tns:ISearchQueryServiceApplication_GetQuerySuggestionsWithResults_InputMessage"/>
    <wsdl:output
wsaw:Action="http://tempuri.org/ISearchQueryServiceApplication/GetQuerySuggestionsWithResults
Response"
message="tns:ISearchQueryServiceApplication_GetQuerySuggestionsWithResults_OutputMessage"/>
    <wsdl:fault
wsaw:Action="http://tempuri.org/ISearchQueryServiceApplication/GetQuerySuggestionsWithResults
SearchServiceApplicationFaultFault" name="SearchServiceApplicationFaultFault"
message="tns:ISearchQueryServiceApplication_GetQuerySuggestionsWithResults_SearchServiceAppli
cationFaultFault_FaultMessage"/>
    </wsdl:operation>
    <wsdl:operation name="GetQueryCompletions">
    <wsdl:input
wsaw:Action="http://tempuri.org/ISearchQueryServiceApplication/GetQueryCompletions"
message="tns:ISearchQueryServiceApplication_GetQueryCompletions_InputMessage"/>

```

```

    <wsdl:output
wsaw:Action="http://tempuri.org/ISearchQueryServiceApplication/GetQueryCompletionsResponse"
message="tns:ISearchQueryServiceApplication_GetQueryCompletions_OutputMessage"/>
    <wsdl:fault
wsaw:Action="http://tempuri.org/ISearchQueryServiceApplication/GetQueryCompletionsSearchServiceApplicationFaultFault" name="SearchServiceApplicationFaultFault"
message="tns:ISearchQueryServiceApplication_GetQueryCompletions_SearchServiceApplicationFaultFault_FaultMessage"/>
    </wsdl:operation>
    <wsdl:operation name="GetImsEndpointAddresses">
    <wsdl:input
wsaw:Action="http://tempuri.org/ISearchQueryServiceApplication/GetImsEndpointAddresses"
message="tns:ISearchQueryServiceApplication_GetImsEndpointAddresses_InputMessage"/>
    <wsdl:output
wsaw:Action="http://tempuri.org/ISearchQueryServiceApplication/GetImsEndpointAddressesResponse" message="tns:ISearchQueryServiceApplication_GetImsEndpointAddresses_OutputMessage"/>
    <wsdl:fault
wsaw:Action="http://tempuri.org/ISearchQueryServiceApplication/GetImsEndpointAddressesSearchServiceApplicationFaultFault" name="SearchServiceApplicationFaultFault"
message="tns:ISearchQueryServiceApplication_GetImsEndpointAddresses_SearchServiceApplicationFaultFault_FaultMessage"/>
    </wsdl:operation>
    <wsdl:operation name="IsUrlMappingCached">
    <wsdl:input
wsaw:Action="http://tempuri.org/ISearchQueryServiceApplication/IsUrlMappingCached"
message="tns:ISearchQueryServiceApplication_IsUrlMappingCached_InputMessage"/>
    <wsdl:output
wsaw:Action="http://tempuri.org/ISearchQueryServiceApplication/IsUrlMappingCachedResponse"
message="tns:ISearchQueryServiceApplication_IsUrlMappingCached_OutputMessage"/>
    <wsdl:fault
wsaw:Action="http://tempuri.org/ISearchQueryServiceApplication/IsUrlMappingCachedSearchServiceApplicationFaultFault" name="SearchServiceApplicationFaultFault"
message="tns:ISearchQueryServiceApplication_IsUrlMappingCached_SearchServiceApplicationFaultFault_FaultMessage"/>
    </wsdl:operation>
    <wsdl:operation name="IsUrlMappingCachedWithHash">
    <wsdl:input
wsaw:Action="http://tempuri.org/ISearchQueryServiceApplication/IsUrlMappingCachedWithHash"
message="tns:ISearchQueryServiceApplication_IsUrlMappingCachedWithHash_InputMessage"/>
    <wsdl:output
wsaw:Action="http://tempuri.org/ISearchQueryServiceApplication/IsUrlMappingCachedWithHashResponse" message="tns:ISearchQueryServiceApplication_IsUrlMappingCachedWithHash_OutputMessage"/>
    <wsdl:fault
wsaw:Action="http://tempuri.org/ISearchQueryServiceApplication/IsUrlMappingCachedWithHashSearchServiceApplicationFaultFault" name="SearchServiceApplicationFaultFault"
message="tns:ISearchQueryServiceApplication_IsUrlMappingCachedWithHash_SearchServiceApplicationFaultFault_FaultMessage"/>
    </wsdl:operation>
    <wsdl:operation name="GetZeroTermsQuerySuggestionsWithResults">
    <wsdl:input
wsaw:Action="http://tempuri.org/ISearchQueryServiceApplication/GetZeroTermsQuerySuggestionsWithResults"
message="tns:ISearchQueryServiceApplication_GetZeroTermsQuerySuggestionsWithResults_InputMessage"/>
    <wsdl:output
wsaw:Action="http://tempuri.org/ISearchQueryServiceApplication/GetZeroTermsQuerySuggestionsWithResultsResponse"
message="tns:ISearchQueryServiceApplication_GetZeroTermsQuerySuggestionsWithResults_OutputMessage"/>
    <wsdl:fault
wsaw:Action="http://tempuri.org/ISearchQueryServiceApplication/GetZeroTermsQuerySuggestionsWithResultsSearchServiceApplicationFaultFault" name="SearchServiceApplicationFaultFault"
message="tns:ISearchQueryServiceApplication_GetZeroTermsQuerySuggestionsWithResults_SearchServiceApplicationFaultFault_FaultMessage"/>
    </wsdl:operation>
    </wsdl:portType>
    <wsdl:portType name="ISearchHealthMonitoringServiceApplication">
    <wsdl:operation name="RecordUIQueryDone">

```



```

    <wsdl:input
wsaw:Action="http://tempuri.org/ISearchHealthMonitoringServiceApplication/RecordUIQueryDone"
message="tns:ISearchHealthMonitoringServiceApplication_RecordUIQueryDone_InputMessage"/>
    <wsdl:output
wsaw:Action="http://tempuri.org/ISearchHealthMonitoringServiceApplication/RecordUIQueryDoneRe
sponse"
message="tns:ISearchHealthMonitoringServiceApplication_RecordUIQueryDone_OutputMessage"/>
    <wsdl:fault
wsaw:Action="http://tempuri.org/ISearchHealthMonitoringServiceApplication/RecordUIQueryDoneSe
archServiceApplicationFaultFault" name="SearchServiceApplicationFaultFault"
message="tns:ISearchHealthMonitoringServiceApplication_RecordUIQueryDone_SearchServiceApplica
tionFaultFault_FaultMessage"/>
    </wsdl:operation>
    <wsdl:operation name="RecordWebPartQueryDone">
    <wsdl:input
wsaw:Action="http://tempuri.org/ISearchHealthMonitoringServiceApplication/RecordWebPartQueryD
one"
message="tns:ISearchHealthMonitoringServiceApplication_RecordWebPartQueryDone_InputMessage"/>
    <wsdl:output
wsaw:Action="http://tempuri.org/ISearchHealthMonitoringServiceApplication/RecordWebPartQueryD
oneResponse"
message="tns:ISearchHealthMonitoringServiceApplication_RecordWebPartQueryDone_OutputMessage"/
>
    <wsdl:fault
wsaw:Action="http://tempuri.org/ISearchHealthMonitoringServiceApplication/RecordWebPartQueryD
oneSearchServiceApplicationFaultFault" name="SearchServiceApplicationFaultFault"
message="tns:ISearchHealthMonitoringServiceApplication_RecordWebPartQueryDone_SearchServiceAp
plicationFaultFault_FaultMessage"/>
    </wsdl:operation>
    <wsdl:operation name="RecordOMQueryDone">
    <wsdl:input
wsaw:Action="http://tempuri.org/ISearchHealthMonitoringServiceApplication/RecordOMQueryDone"
message="tns:ISearchHealthMonitoringServiceApplication_RecordOMQueryDone_InputMessage"/>
    <wsdl:output
wsaw:Action="http://tempuri.org/ISearchHealthMonitoringServiceApplication/RecordOMQueryDoneRe
sponse"
message="tns:ISearchHealthMonitoringServiceApplication_RecordOMQueryDone_OutputMessage"/>
    <wsdl:fault
wsaw:Action="http://tempuri.org/ISearchHealthMonitoringServiceApplication/RecordOMQueryDoneSe
archServiceApplicationFaultFault" name="SearchServiceApplicationFaultFault"
message="tns:ISearchHealthMonitoringServiceApplication_RecordOMQueryDone_SearchServiceApplica
tionFaultFault_FaultMessage"/>
    </wsdl:operation>
    <wsdl:operation name="RecordQueryError">
    <wsdl:input
wsaw:Action="http://tempuri.org/ISearchHealthMonitoringServiceApplication/RecordQueryError"
message="tns:ISearchHealthMonitoringServiceApplication_RecordQueryError_InputMessage"/>
    <wsdl:output
wsaw:Action="http://tempuri.org/ISearchHealthMonitoringServiceApplication/RecordQueryErrorRes
ponse"
message="tns:ISearchHealthMonitoringServiceApplication_RecordQueryError_OutputMessage"/>
    <wsdl:fault
wsaw:Action="http://tempuri.org/ISearchHealthMonitoringServiceApplication/RecordQueryErrorSea
rchServiceApplicationFaultFault" name="SearchServiceApplicationFaultFault"
message="tns:ISearchHealthMonitoringServiceApplication_RecordQueryError_SearchServiceApplica
tionFaultFault_FaultMessage"/>
    </wsdl:operation>
    <wsdl:operation name="GetQueryHealthMonitoringSettings">
    <wsdl:input
wsaw:Action="http://tempuri.org/ISearchHealthMonitoringServiceApplication/GetQueryHealthMonit
oringSettings"
message="tns:ISearchHealthMonitoringServiceApplication_GetQueryHealthMonitoringSettings_Inpu
tMessage"/>
    <wsdl:output
wsaw:Action="http://tempuri.org/ISearchHealthMonitoringServiceApplication/GetQueryHealthMonit
oringSettingsResponse"
message="tns:ISearchHealthMonitoringServiceApplication_GetQueryHealthMonitoringSettings_Outpu
tMessage"/>

```

```

    <wsdl:fault
wsaw:Action="http://tempuri.org/ISearchHealthMonitoringServiceApplication/GetQueryHealthMonitoringSettingsSearchServiceApplicationFaultFault" name="SearchServiceApplicationFaultFault"
message="tns:ISearchHealthMonitoringServiceApplication_GetQueryHealthMonitoringSettings_SearchServiceApplicationFaultFault_FaultMessage"/>
    </wsdl:operation>
    <wsdl:operation name="GetQueryHealthMonitoringSettingsForComponents">
    <wsdl:input
wsaw:Action="http://tempuri.org/ISearchHealthMonitoringServiceApplication/GetQueryHealthMonitoringSettingsForComponents"
message="tns:ISearchHealthMonitoringServiceApplication_GetQueryHealthMonitoringSettingsForComponents_InputMessage"/>
    <wsdl:output
wsaw:Action="http://tempuri.org/ISearchHealthMonitoringServiceApplication/GetQueryHealthMonitoringSettingsForComponentsResponse"
message="tns:ISearchHealthMonitoringServiceApplication_GetQueryHealthMonitoringSettingsForComponents_OutputMessage"/>
    <wsdl:fault
wsaw:Action="http://tempuri.org/ISearchHealthMonitoringServiceApplication/GetQueryHealthMonitoringSettingsForComponentsSearchServiceApplicationFaultFault"
name="SearchServiceApplicationFaultFault"
message="tns:ISearchHealthMonitoringServiceApplication_GetQueryHealthMonitoringSettingsForComponents_SearchServiceApplicationFaultFault_FaultMessage"/>
    </wsdl:operation>
    </wsdl:portType>
    <wsdl:binding name="DefaultBinding_ISearchQueryServiceApplication"
type="tns:ISearchQueryServiceApplication">
    <soap:binding transport="http://schemas.xmlsoap.org/soap/http"/>
    <wsdl:operation name="GetSearchTerms">
    <soap:operation
soapAction="http://tempuri.org/ISearchQueryServiceApplication/GetSearchTerms"
style="document"/>
    <wsdl:input>
    <soap:body use="literal"/>
    </wsdl:input>
    <wsdl:output>
    <soap:body use="literal"/>
    </wsdl:output>
    <wsdl:fault name="SearchServiceApplicationFaultFault">
    <soap:fault use="literal" name="SearchServiceApplicationFaultFault" namespace=""/>
    </wsdl:fault>
    </wsdl:operation>
    <wsdl:operation name="Execute">
    <soap:operation soapAction="http://tempuri.org/ISearchQueryServiceApplication/Execute"
style="document"/>
    <wsdl:input>
    <soap:body use="literal"/>
    </wsdl:input>
    <wsdl:output>
    <soap:body use="literal"/>
    </wsdl:output>
    <wsdl:fault name="SearchServiceApplicationFaultFault">
    <soap:fault use="literal" name="SearchServiceApplicationFaultFault" namespace=""/>
    </wsdl:fault>
    </wsdl:operation>
    <wsdl:operation name="GetProperties">
    <soap:operation
soapAction="http://tempuri.org/ISearchQueryServiceApplication/GetProperties"
style="document"/>
    <wsdl:input>
    <soap:body use="literal"/>
    </wsdl:input>
    <wsdl:output>
    <soap:body use="literal"/>
    </wsdl:output>
    <wsdl:fault name="SearchServiceApplicationFaultFault">
    <soap:fault use="literal" name="SearchServiceApplicationFaultFault" namespace=""/>
    </wsdl:fault>
    </wsdl:operation>

```

```

    <wsdl:operation name="GetScopes">
      <soap:operation
soapAction="http://tempuri.org/ISearchQueryServiceApplication/GetScopes" style="document"/>
      <wsdl:input>
        <soap:body use="literal"/>
      </wsdl:input>
      <wsdl:output>
        <soap:body use="literal"/>
      </wsdl:output>
      <wsdl:fault name="SearchServiceApplicationFaultFault">
        <soap:fault use="literal" name="SearchServiceApplicationFaultFault" namespace=""/>
      </wsdl:fault>
    </wsdl:operation>
    <wsdl:operation name="GetQuerySuggestions">
      <soap:operation
soapAction="http://tempuri.org/ISearchQueryServiceApplication/GetQuerySuggestions"
style="document"/>
      <wsdl:input>
        <soap:body use="literal"/>
      </wsdl:input>
      <wsdl:output>
        <soap:body use="literal"/>
      </wsdl:output>
      <wsdl:fault name="SearchServiceApplicationFaultFault">
        <soap:fault use="literal" name="SearchServiceApplicationFaultFault" namespace=""/>
      </wsdl:fault>
    </wsdl:operation>
    <wsdl:operation name="HighlightStringValue">
      <soap:operation
soapAction="http://tempuri.org/ISearchQueryServiceApplication/HighlightStringValue"
style="document"/>
      <wsdl:input>
        <soap:body use="literal"/>
      </wsdl:input>
      <wsdl:output>
        <soap:body use="literal"/>
      </wsdl:output>
      <wsdl:fault name="SearchServiceApplicationFaultFault">
        <soap:fault use="literal" name="SearchServiceApplicationFaultFault" namespace=""/>
      </wsdl:fault>
    </wsdl:operation>
    <wsdl:operation name="HighlightStringValueQuerySuggestions">
      <soap:operation
soapAction="http://tempuri.org/ISearchQueryServiceApplication/HighlightStringValueQuerySugges
tions" style="document"/>
      <wsdl:input>
        <soap:body use="literal"/>
      </wsdl:input>
      <wsdl:output>
        <soap:body use="literal"/>
      </wsdl:output>
      <wsdl:fault name="SearchServiceApplicationFaultFault">
        <soap:fault use="literal" name="SearchServiceApplicationFaultFault" namespace=""/>
      </wsdl:fault>
    </wsdl:operation>
    <wsdl:operation name="GetClickFrequenciesForUrl">
      <soap:operation
soapAction="http://tempuri.org/ISearchQueryServiceApplication/GetClickFrequenciesForUrl"
style="document"/>
      <wsdl:input>
        <soap:body use="literal"/>
      </wsdl:input>
      <wsdl:output>
        <soap:body use="literal"/>
      </wsdl:output>
      <wsdl:fault name="SearchServiceApplicationFaultFault">
        <soap:fault use="literal" name="SearchServiceApplicationFaultFault" namespace=""/>
      </wsdl:fault>
    </wsdl:operation>

```

```

    <wsdl:operation name="GetTopQueryStringsForUrl">
      <soap:operation
soapAction="http://tempuri.org/ISearchQueryServiceApplication/GetTopQueryStringsForUrl"
style="document"/>
      <wsdl:input>
        <soap:body use="literal"/>
      </wsdl:input>
      <wsdl:output>
        <soap:body use="literal"/>
      </wsdl:output>
      <wsdl:fault name="SearchServiceApplicationFaultFault">
        <soap:fault use="literal" name="SearchServiceApplicationFaultFault" namespace=""/>
      </wsdl:fault>
    </wsdl:operation>
    <wsdl:operation name="RecordClick">
      <soap:operation
soapAction="http://tempuri.org/ISearchQueryServiceApplication/RecordClick" style="document"/>
      <wsdl:input>
        <soap:body use="literal"/>
      </wsdl:input>
      <wsdl:output>
        <soap:body use="literal"/>
      </wsdl:output>
      <wsdl:fault name="SearchServiceApplicationFaultFault">
        <soap:fault use="literal" name="SearchServiceApplicationFaultFault" namespace=""/>
      </wsdl:fault>
    </wsdl:operation>
    <wsdl:operation name="RecordPageClick">
      <soap:operation
soapAction="http://tempuri.org/ISearchQueryServiceApplication/RecordPageClick"
style="document"/>
      <wsdl:input>
        <soap:body use="literal"/>
      </wsdl:input>
      <wsdl:output>
        <soap:body use="literal"/>
      </wsdl:output>
      <wsdl:fault name="SearchServiceApplicationFaultFault">
        <soap:fault use="literal" name="SearchServiceApplicationFaultFault" namespace=""/>
      </wsdl:fault>
    </wsdl:operation>
    <wsdl:operation name="GetSearchServiceApplicationInfo">
      <soap:operation
soapAction="http://tempuri.org/ISearchQueryServiceApplication/GetSearchServiceApplicationInfo"
" style="document"/>
      <wsdl:input>
        <soap:body use="literal"/>
      </wsdl:input>
      <wsdl:output>
        <soap:body use="literal"/>
      </wsdl:output>
      <wsdl:fault name="SearchServiceApplicationFaultFault">
        <soap:fault use="literal" name="SearchServiceApplicationFaultFault" namespace=""/>
      </wsdl:fault>
    </wsdl:operation>
    <wsdl:operation name="RecordUIQueryDoneEvent">
      <soap:operation
soapAction="http://tempuri.org/ISearchQueryServiceApplication/RecordUIQueryDoneEvent"
style="document"/>
      <wsdl:input>
        <soap:body use="literal"/>
      </wsdl:input>
      <wsdl:output>
        <soap:body use="literal"/>
      </wsdl:output>
      <wsdl:fault name="SearchServiceApplicationFaultFault">
        <soap:fault use="literal" name="SearchServiceApplicationFaultFault" namespace=""/>
      </wsdl:fault>
    </wsdl:operation>

```

```

    <wsdl:operation name="RecordWebPartQueryDoneEvent">
      <soap:operation
soapAction="http://tempuri.org/ISearchQueryServiceApplication/RecordWebPartQueryDoneEvent"
style="document"/>
      <wsdl:input>
        <soap:body use="literal"/>
      </wsdl:input>
      <wsdl:output>
        <soap:body use="literal"/>
      </wsdl:output>
      <wsdl:fault name="SearchServiceApplicationFaultFault">
        <soap:fault use="literal" name="SearchServiceApplicationFaultFault" namespace=""/>
      </wsdl:fault>
    </wsdl:operation>
    <wsdl:operation name="RecordOMQueryDoneEvent">
      <soap:operation
soapAction="http://tempuri.org/ISearchQueryServiceApplication/RecordOMQueryDoneEvent"
style="document"/>
      <wsdl:input>
        <soap:body use="literal"/>
      </wsdl:input>
      <wsdl:output>
        <soap:body use="literal"/>
      </wsdl:output>
      <wsdl:fault name="SearchServiceApplicationFaultFault">
        <soap:fault use="literal" name="SearchServiceApplicationFaultFault" namespace=""/>
      </wsdl:fault>
    </wsdl:operation>
    <wsdl:operation name="RecordQueryErrorEvent">
      <soap:operation
soapAction="http://tempuri.org/ISearchQueryServiceApplication/RecordQueryErrorEvent"
style="document"/>
      <wsdl:input>
        <soap:body use="literal"/>
      </wsdl:input>
      <wsdl:output>
        <soap:body use="literal"/>
      </wsdl:output>
      <wsdl:fault name="SearchServiceApplicationFaultFault">
        <soap:fault use="literal" name="SearchServiceApplicationFaultFault" namespace=""/>
      </wsdl:fault>
    </wsdl:operation>
    <wsdl:operation name="GetQuerySuggestionsWithResults">
      <soap:operation
soapAction="http://tempuri.org/ISearchQueryServiceApplication/GetQuerySuggestionsWithResults"
style="document"/>
      <wsdl:input>
        <soap:body use="literal"/>
      </wsdl:input>
      <wsdl:output>
        <soap:body use="literal"/>
      </wsdl:output>
      <wsdl:fault name="SearchServiceApplicationFaultFault">
        <soap:fault use="literal" name="SearchServiceApplicationFaultFault" namespace=""/>
      </wsdl:fault>
    </wsdl:operation>
    <wsdl:operation name="GetQueryCompletions">
      <soap:operation
soapAction="http://tempuri.org/ISearchQueryServiceApplication/GetQueryCompletions"
style="document"/>
      <wsdl:input>
        <soap:body use="literal"/>
      </wsdl:input>
      <wsdl:output>
        <soap:body use="literal"/>
      </wsdl:output>
      <wsdl:fault name="SearchServiceApplicationFaultFault">
        <soap:fault use="literal" name="SearchServiceApplicationFaultFault" namespace=""/>
      </wsdl:fault>
    </wsdl:operation>

```

```

    </wsdl:operation>
    <wsdl:operation name="GetImsEndpointAddresses">
      <soap:operation
soapAction="http://tempuri.org/ISearchQueryServiceApplication/GetImsEndpointAddresses"
style="document"/>
      <wsdl:input>
        <soap:body use="literal"/>
      </wsdl:input>
      <wsdl:output>
        <soap:body use="literal"/>
      </wsdl:output>
      <wsdl:fault name="SearchServiceApplicationFaultFault">
        <soap:fault use="literal" name="SearchServiceApplicationFaultFault" namespace=""/>
      </wsdl:fault>
    </wsdl:operation>
    <wsdl:operation name="IsUrlMappingCached">
      <soap:operation
soapAction="http://tempuri.org/ISearchQueryServiceApplication/IsUrlMappingCached"
style="document"/>
      <wsdl:input>
        <soap:body use="literal"/>
      </wsdl:input>
      <wsdl:output>
        <soap:body use="literal"/>
      </wsdl:output>
      <wsdl:fault name="SearchServiceApplicationFaultFault">
        <soap:fault use="literal" name="SearchServiceApplicationFaultFault" namespace=""/>
      </wsdl:fault>
    </wsdl:operation>
    <wsdl:operation name="IsUrlMappingCachedWithHash">
      <soap:operation
soapAction="http://tempuri.org/ISearchQueryServiceApplication/IsUrlMappingCachedWithHash"
style="document"/>
      <wsdl:input>
        <soap:body use="literal"/>
      </wsdl:input>
      <wsdl:output>
        <soap:body use="literal"/>
      </wsdl:output>
      <wsdl:fault name="SearchServiceApplicationFaultFault">
        <soap:fault use="literal" name="SearchServiceApplicationFaultFault" namespace=""/>
      </wsdl:fault>
    </wsdl:operation>
    <wsdl:operation name="GetZeroTermsQuerySuggestionsWithResults">
      <soap:operation
soapAction="http://tempuri.org/ISearchQueryServiceApplication/GetZeroTermsQuerySuggestionsWithResults"
style="document"/>
      <wsdl:input>
        <soap:body use="literal"/>
      </wsdl:input>
      <wsdl:output>
        <soap:body use="literal"/>
      </wsdl:output>
      <wsdl:fault name="SearchServiceApplicationFaultFault">
        <soap:fault use="literal" name="SearchServiceApplicationFaultFault" namespace=""/>
      </wsdl:fault>
    </wsdl:operation>
  </wsdl:binding>
  <wsdl:binding name="DefaultBinding ISearchHealthMonitoringServiceApplication"
type="tns:ISearchHealthMonitoringServiceApplication">
    <soap:binding transport="http://schemas.xmlsoap.org/soap/http"/>
    <wsdl:operation name="RecordUIQueryDone">
      <soap:operation
soapAction="http://tempuri.org/ISearchHealthMonitoringServiceApplication/RecordUIQueryDone"
style="document"/>
      <wsdl:input>
        <soap:body use="literal"/>
      </wsdl:input>
      <wsdl:output>

```

```

        <soap:body use="literal"/>
    </wsdl:output>
    <wsdl:fault name="SearchServiceApplicationFaultFault">
        <soap:fault use="literal" name="SearchServiceApplicationFaultFault" namespace=""/>
    </wsdl:fault>
</wsdl:operation>
<wsdl:operation name="RecordWebPartQueryDone">
    <soap:operation
soapAction="http://tempuri.org/ISearchHealthMonitoringServiceApplication/RecordWebPartQueryDo
ne" style="document"/>
        <wsdl:input>
            <soap:body use="literal"/>
        </wsdl:input>
        <wsdl:output>
            <soap:body use="literal"/>
        </wsdl:output>
        <wsdl:fault name="SearchServiceApplicationFaultFault">
            <soap:fault use="literal" name="SearchServiceApplicationFaultFault" namespace=""/>
        </wsdl:fault>
    </wsdl:operation>
<wsdl:operation name="RecordOMQueryDone">
    <soap:operation
soapAction="http://tempuri.org/ISearchHealthMonitoringServiceApplication/RecordOMQueryDone"
style="document"/>
        <wsdl:input>
            <soap:body use="literal"/>
        </wsdl:input>
        <wsdl:output>
            <soap:body use="literal"/>
        </wsdl:output>
        <wsdl:fault name="SearchServiceApplicationFaultFault">
            <soap:fault use="literal" name="SearchServiceApplicationFaultFault" namespace=""/>
        </wsdl:fault>
    </wsdl:operation>
<wsdl:operation name="RecordQueryError">
    <soap:operation
soapAction="http://tempuri.org/ISearchHealthMonitoringServiceApplication/RecordQueryError"
style="document"/>
        <wsdl:input>
            <soap:body use="literal"/>
        </wsdl:input>
        <wsdl:output>
            <soap:body use="literal"/>
        </wsdl:output>
        <wsdl:fault name="SearchServiceApplicationFaultFault">
            <soap:fault use="literal" name="SearchServiceApplicationFaultFault" namespace=""/>
        </wsdl:fault>
    </wsdl:operation>
<wsdl:operation name="GetQueryHealthMonitoringSettings">
    <soap:operation
soapAction="http://tempuri.org/ISearchHealthMonitoringServiceApplication/GetQueryHealthMonito
ringSettings" style="document"/>
        <wsdl:input>
            <soap:body use="literal"/>
        </wsdl:input>
        <wsdl:output>
            <soap:body use="literal"/>
        </wsdl:output>
        <wsdl:fault name="SearchServiceApplicationFaultFault">
            <soap:fault use="literal" name="SearchServiceApplicationFaultFault" namespace=""/>
        </wsdl:fault>
    </wsdl:operation>
<wsdl:operation name="GetQueryHealthMonitoringSettingsForComponents">
    <soap:operation
soapAction="http://tempuri.org/ISearchHealthMonitoringServiceApplication/GetQueryHealthMonito
ringSettingsForComponents" style="document"/>
        <wsdl:input>
            <soap:body use="literal"/>
        </wsdl:input>

```

```

        <wsdl:output>
            <soap:body use="literal"/>
        </wsdl:output>
        <wsdl:fault name="SearchServiceApplicationFaultFault">
            <soap:fault use="literal" name="SearchServiceApplicationFaultFault" namespace=""/>
        </wsdl:fault>
    </wsdl:operation>
</wsdl:binding>
<wsdl:message
name="ISearchHealthMonitoringServiceApplication_GetQueryHealthMonitoringSettings_InputMessage
">
    <wsdl:part name="parameters" element="tns:GetQueryHealthMonitoringSettings"/>
</wsdl:message>
<wsdl:message
name="ISearchHealthMonitoringServiceApplication_GetQueryHealthMonitoringSettings_OutputMessage
">
    <wsdl:part name="parameters" element="tns:GetQueryHealthMonitoringSettingsResponse"/>
</wsdl:message>
<wsdl:message
name="ISearchHealthMonitoringServiceApplication_GetQueryHealthMonitoringSettings_SearchService
ApplicationFaultFault_FaultMessage">
    <wsdl:part
xmlns:q1="http://schemas.datacontract.org/2004/07/Microsoft.Office.Server.Search.Administrati
on" name="detail" element="q1:SearchServiceApplicationFault"/>
</wsdl:message>
<wsdl:message
name="ISearchHealthMonitoringServiceApplication_GetQueryHealthMonitoringSettingsForComponents
_InputMessage">
    <wsdl:part name="parameters"
element="tns:GetQueryHealthMonitoringSettingsForComponents"/>
</wsdl:message>
<wsdl:message
name="ISearchHealthMonitoringServiceApplication_GetQueryHealthMonitoringSettingsForComponents
_OutputMessage">
    <wsdl:part name="parameters"
element="tns:GetQueryHealthMonitoringSettingsForComponentsResponse"/>
</wsdl:message>
<wsdl:message
name="ISearchHealthMonitoringServiceApplication_GetQueryHealthMonitoringSettingsForComponents
_SearchServiceApplicationFaultFault_FaultMessage">
    <wsdl:part
xmlns:q1="http://schemas.datacontract.org/2004/07/Microsoft.Office.Server.Search.Administrati
on" name="detail" element="q1:SearchServiceApplicationFault"/>
</wsdl:message>
<wsdl:message
name="ISearchHealthMonitoringServiceApplication_RecordOMQueryDone_InputMessage">
    <wsdl:part name="parameters" element="tns:RecordOMQueryDone"/>
</wsdl:message>
<wsdl:message
name="ISearchHealthMonitoringServiceApplication_RecordOMQueryDone_OutputMessage">
    <wsdl:part name="parameters" element="tns:RecordOMQueryDoneResponse"/>
</wsdl:message>
<wsdl:message
name="ISearchHealthMonitoringServiceApplication_RecordOMQueryDone_SearchServiceApplicationFau
ltFault_FaultMessage">
    <wsdl:part
xmlns:q1="http://schemas.datacontract.org/2004/07/Microsoft.Office.Server.Search.Administrati
on" name="detail" element="q1:SearchServiceApplicationFault"/>
</wsdl:message>
<wsdl:message
name="ISearchHealthMonitoringServiceApplication_RecordQueryError_InputMessage">
    <wsdl:part name="parameters" element="tns:RecordQueryError"/>
</wsdl:message>
<wsdl:message
name="ISearchHealthMonitoringServiceApplication_RecordQueryError_OutputMessage">
    <wsdl:part name="parameters" element="tns:RecordQueryErrorResponse"/>
</wsdl:message>

```



```

    <wsdl:message
name="ISearchHealthMonitoringServiceApplication_RecordQueryError_SearchServiceApplicationFaultFault_FaultMessage">
    <wsdl:part
xmlns:q1="http://schemas.datacontract.org/2004/07/Microsoft.Office.Server.Search.Administrati
on" name="detail" element="q1:SearchServiceApplicationFault"/>
    </wsdl:message>
    <wsdl:message
name="ISearchHealthMonitoringServiceApplication_RecordUIQueryDone_InputMessage">
    <wsdl:part name="parameters" element="tns:RecordUIQueryDone"/>
    </wsdl:message>
    <wsdl:message
name="ISearchHealthMonitoringServiceApplication_RecordUIQueryDone_OutputMessage">
    <wsdl:part name="parameters" element="tns:RecordUIQueryDoneResponse"/>
    </wsdl:message>
    <wsdl:message
name="ISearchHealthMonitoringServiceApplication_RecordUIQueryDone_SearchServiceApplicationFaultFault_FaultMessage">
    <wsdl:part
xmlns:q1="http://schemas.datacontract.org/2004/07/Microsoft.Office.Server.Search.Administrati
on" name="detail" element="q1:SearchServiceApplicationFault"/>
    </wsdl:message>
    <wsdl:message
name="ISearchHealthMonitoringServiceApplication_RecordWebPartQueryDone_InputMessage">
    <wsdl:part name="parameters" element="tns:RecordWebPartQueryDone"/>
    </wsdl:message>
    <wsdl:message
name="ISearchHealthMonitoringServiceApplication_RecordWebPartQueryDone_OutputMessage">
    <wsdl:part name="parameters" element="tns:RecordWebPartQueryDoneResponse"/>
    </wsdl:message>
    <wsdl:message
name="ISearchHealthMonitoringServiceApplication_RecordWebPartQueryDone_SearchServiceApplicati
onFaultFault_FaultMessage">
    <wsdl:part
xmlns:q1="http://schemas.datacontract.org/2004/07/Microsoft.Office.Server.Search.Administrati
on" name="detail" element="q1:SearchServiceApplicationFault"/>
    </wsdl:message>
    <wsdl:message name="ISearchQueryServiceApplication_Execute_InputMessage">
    <wsdl:part name="parameters" element="tns:Execute"/>
    </wsdl:message>
    <wsdl:message name="ISearchQueryServiceApplication_Execute_OutputMessage">
    <wsdl:part name="parameters" element="tns:ExecuteResponse"/>
    </wsdl:message>
    <wsdl:message
name="ISearchQueryServiceApplication_Execute_SearchServiceApplicationFaultFault_FaultMessage"
>
    <wsdl:part
xmlns:q1="http://schemas.datacontract.org/2004/07/Microsoft.Office.Server.Search.Administrati
on" name="detail" element="q1:SearchServiceApplicationFault"/>
    </wsdl:message>
    <wsdl:message name="ISearchQueryServiceApplication_GetClickFrequenciesForUrl_InputMessage">
    <wsdl:part name="parameters" element="tns:GetClickFrequenciesForUrl"/>
    </wsdl:message>
    <wsdl:message
name="ISearchQueryServiceApplication_GetClickFrequenciesForUrl_OutputMessage">
    <wsdl:part name="parameters" element="tns:GetClickFrequenciesForUrlResponse"/>
    </wsdl:message>
    <wsdl:message
name="ISearchQueryServiceApplication_GetClickFrequenciesForUrl_SearchServiceApplicationFaultF
ault_FaultMessage">
    <wsdl:part
xmlns:q1="http://schemas.datacontract.org/2004/07/Microsoft.Office.Server.Search.Administrati
on" name="detail" element="q1:SearchServiceApplicationFault"/>
    </wsdl:message>
    <wsdl:message name="ISearchQueryServiceApplication_GetImsEndpointAddresses_InputMessage">
    <wsdl:part name="parameters" element="tns:GetImsEndpointAddresses"/>
    </wsdl:message>
    <wsdl:message name="ISearchQueryServiceApplication_GetImsEndpointAddresses_OutputMessage">
    <wsdl:part name="parameters" element="tns:GetImsEndpointAddressesResponse"/>

```

```

    </wsdl:message>
  <wsdl:message
    name="ISearchQueryServiceApplication_GetImsEndpointAddresses_SearchServiceApplicationFaultFault_FaultMessage">
    <wsdl:part
      xmlns:q1="http://schemas.datacontract.org/2004/07/Microsoft.Office.Server.Search.Administrati
on" name="detail" element="q1:SearchServiceApplicationFault"/>
    </wsdl:message>
    <wsdl:message name="ISearchQueryServiceApplication_GetProperties_InputMessage">
      <wsdl:part name="parameters" element="tns:GetProperties"/>
    </wsdl:message>
    <wsdl:message name="ISearchQueryServiceApplication_GetProperties_OutputMessage">
      <wsdl:part name="parameters" element="tns:GetPropertiesResponse"/>
    </wsdl:message>
  </wsdl:message>
  <wsdl:message
    name="ISearchQueryServiceApplication_GetProperties_SearchServiceApplicationFaultFault_FaultMe
ssage">
    <wsdl:part
      xmlns:q1="http://schemas.datacontract.org/2004/07/Microsoft.Office.Server.Search.Administrati
on" name="detail" element="q1:SearchServiceApplicationFault"/>
    </wsdl:message>
    <wsdl:message name="ISearchQueryServiceApplication_GetQueryCompletions_InputMessage">
      <wsdl:part name="parameters" element="tns:GetQueryCompletions"/>
    </wsdl:message>
    <wsdl:message name="ISearchQueryServiceApplication_GetQueryCompletions_OutputMessage">
      <wsdl:part name="parameters" element="tns:GetQueryCompletionsResponse"/>
    </wsdl:message>
  </wsdl:message>
  <wsdl:message
    name="ISearchQueryServiceApplication_GetQueryCompletions_SearchServiceApplicationFaultFault_F
aultMessage">
    <wsdl:part
      xmlns:q1="http://schemas.datacontract.org/2004/07/Microsoft.Office.Server.Search.Administrati
on" name="detail" element="q1:SearchServiceApplicationFault"/>
    </wsdl:message>
    <wsdl:message name="ISearchQueryServiceApplication_GetQuerySuggestions_InputMessage">
      <wsdl:part name="parameters" element="tns:GetQuerySuggestions"/>
    </wsdl:message>
    <wsdl:message name="ISearchQueryServiceApplication_GetQuerySuggestions_OutputMessage">
      <wsdl:part name="parameters" element="tns:GetQuerySuggestionsResponse"/>
    </wsdl:message>
  </wsdl:message>
  <wsdl:message
    name="ISearchQueryServiceApplication_GetQuerySuggestions_SearchServiceApplicationFaultFault_F
aultMessage">
    <wsdl:part
      xmlns:q1="http://schemas.datacontract.org/2004/07/Microsoft.Office.Server.Search.Administrati
on" name="detail" element="q1:SearchServiceApplicationFault"/>
    </wsdl:message>
    <wsdl:message
      name="ISearchQueryServiceApplication_GetQuerySuggestionsWithResults_InputMessage">
      <wsdl:part name="parameters" element="tns:GetQuerySuggestionsWithResults"/>
    </wsdl:message>
    <wsdl:message
      name="ISearchQueryServiceApplication_GetQuerySuggestionsWithResults_OutputMessage">
      <wsdl:part name="parameters" element="tns:GetQuerySuggestionsWithResultsResponse"/>
    </wsdl:message>
  </wsdl:message>
  <wsdl:message
    name="ISearchQueryServiceApplication_GetQuerySuggestionsWithResults_SearchServiceApplicationF
aultFault_FaultMessage">
    <wsdl:part
      xmlns:q1="http://schemas.datacontract.org/2004/07/Microsoft.Office.Server.Search.Administrati
on" name="detail" element="q1:SearchServiceApplicationFault"/>
    </wsdl:message>
    <wsdl:message name="ISearchQueryServiceApplication_GetScopes InputMessage">
      <wsdl:part name="parameters" element="tns:GetScopes"/>
    </wsdl:message>
    <wsdl:message name="ISearchQueryServiceApplication_GetScopes_OutputMessage">
      <wsdl:part name="parameters" element="tns:GetScopesResponse"/>
    </wsdl:message>
  </wsdl:message>

```

```

    <wsdl:message
name="ISearchQueryServiceApplication_GetScopes_SearchServiceApplicationFaultFault_FaultMessage">
    <wsdl:part
xmlns:q1="http://schemas.datacontract.org/2004/07/Microsoft.Office.Server.Search.Administrati
on" name="detail" element="q1:SearchServiceApplicationFault"/>
    </wsdl:part>
</wsdl:message>
<wsdl:message
name="ISearchQueryServiceApplication_GetSearchServiceApplicationInfo_InputMessage">
    <wsdl:part name="parameters" element="tns:GetSearchServiceApplicationInfo"/>
    </wsdl:part>
</wsdl:message>
<wsdl:message
name="ISearchQueryServiceApplication_GetSearchServiceApplicationInfo_OutputMessage">
    <wsdl:part name="parameters" element="tns:GetSearchServiceApplicationInfoResponse"/>
    </wsdl:part>
</wsdl:message>
<wsdl:message
name="ISearchQueryServiceApplication_GetSearchServiceApplicationInfo_SearchServiceApplication
FaultFault_FaultMessage">
    <wsdl:part
xmlns:q1="http://schemas.datacontract.org/2004/07/Microsoft.Office.Server.Search.Administrati
on" name="detail" element="q1:SearchServiceApplicationFault"/>
    </wsdl:part>
</wsdl:message>
<wsdl:message name="ISearchQueryServiceApplication_GetSearchTerms_InputMessage">
    <wsdl:part name="parameters" element="tns:GetSearchTerms"/>
    </wsdl:part>
</wsdl:message>
<wsdl:message name="ISearchQueryServiceApplication_GetSearchTerms_OutputMessage">
    <wsdl:part name="parameters" element="tns:GetSearchTermsResponse"/>
    </wsdl:part>
</wsdl:message>
<wsdl:message
name="ISearchQueryServiceApplication_GetSearchTerms_SearchServiceApplicationFaultFault_FaultM
essage">
    <wsdl:part
xmlns:q1="http://schemas.datacontract.org/2004/07/Microsoft.Office.Server.Search.Administrati
on" name="detail" element="q1:SearchServiceApplicationFault"/>
    </wsdl:part>
</wsdl:message>
<wsdl:message name="ISearchQueryServiceApplication_GetTopQueryStringsForUrl_InputMessage">
    <wsdl:part name="parameters" element="tns:GetTopQueryStringsForUrl"/>
    </wsdl:part>
</wsdl:message>
<wsdl:message name="ISearchQueryServiceApplication_GetTopQueryStringsForUrl_OutputMessage">
    <wsdl:part name="parameters" element="tns:GetTopQueryStringsForUrlResponse"/>
    </wsdl:part>
</wsdl:message>
<wsdl:message
name="ISearchQueryServiceApplication_GetTopQueryStringsForUrl_SearchServiceApplicationFaultFa
ult_FaultMessage">
    <wsdl:part
xmlns:q1="http://schemas.datacontract.org/2004/07/Microsoft.Office.Server.Search.Administrati
on" name="detail" element="q1:SearchServiceApplicationFault"/>
    </wsdl:part>
</wsdl:message>
<wsdl:message
name="ISearchQueryServiceApplication_GetZeroTermsQuerySuggestionsWithResults_InputMessage">
    <wsdl:part name="parameters" element="tns:GetZeroTermsQuerySuggestionsWithResults"/>
    </wsdl:part>
</wsdl:message>
<wsdl:message
name="ISearchQueryServiceApplication_GetZeroTermsQuerySuggestionsWithResults_OutputMessage">
    <wsdl:part name="parameters"
element="tns:GetZeroTermsQuerySuggestionsWithResultsResponse"/>
    </wsdl:part>
</wsdl:message>
<wsdl:message
name="ISearchQueryServiceApplication_GetZeroTermsQuerySuggestionsWithResults_SearchServiceApp
licationFaultFault_FaultMessage">
    <wsdl:part
xmlns:q1="http://schemas.datacontract.org/2004/07/Microsoft.Office.Server.Search.Administrati
on" name="detail" element="q1:SearchServiceApplicationFault"/>
    </wsdl:part>
</wsdl:message>
<wsdl:message name="ISearchQueryServiceApplication_HighlightStringValue_InputMessage">
    <wsdl:part name="parameters" element="tns:HighlightStringValue"/>
    </wsdl:part>
</wsdl:message>
<wsdl:message name="ISearchQueryServiceApplication_HighlightStringValue_OutputMessage">
    <wsdl:part name="parameters" element="tns:HighlightStringValueResponse"/>
    </wsdl:part>
</wsdl:message>

```

```

    </wsdl:message>
    <wsdl:message
name="ISearchQueryServiceApplication_HighlightStringValue_SearchServiceApplicationFaultFault_
FaultMessage">
    <wsdl:part
xmlns:q1="http://schemas.datacontract.org/2004/07/Microsoft.Office.Server.Search.Administrati
on" name="detail" element="q1:SearchServiceApplicationFault"/>
    </wsdl:message>
    <wsdl:message
name="ISearchQueryServiceApplication_HighlightStringValueQuerySuggestions_InputMessage">
    <wsdl:part name="parameters" element="tns:HighlightStringValueQuerySuggestions"/>
    </wsdl:message>
    <wsdl:message
name="ISearchQueryServiceApplication_HighlightStringValueQuerySuggestions_OutputMessage">
    <wsdl:part name="parameters" element="tns:HighlightStringValueQuerySuggestionsResponse"/>
    </wsdl:message>
    <wsdl:message
name="ISearchQueryServiceApplication_HighlightStringValueQuerySuggestions_SearchServiceApplic
ationFaultFault FaultMessage">
    <wsdl:part
xmlns:q1="http://schemas.datacontract.org/2004/07/Microsoft.Office.Server.Search.Administrati
on" name="detail" element="q1:SearchServiceApplicationFault"/>
    </wsdl:message>
    <wsdl:message name="ISearchQueryServiceApplication_IsUrlMappingCached_InputMessage">
    <wsdl:part name="parameters" element="tns:IsUrlMappingCached"/>
    </wsdl:message>
    <wsdl:message name="ISearchQueryServiceApplication_IsUrlMappingCached_OutputMessage">
    <wsdl:part name="parameters" element="tns:IsUrlMappingCachedResponse"/>
    </wsdl:message>
    <wsdl:message
name="ISearchQueryServiceApplication_IsUrlMappingCached_SearchServiceApplicationFaultFault Fa
ultMessage">
    <wsdl:part
xmlns:q1="http://schemas.datacontract.org/2004/07/Microsoft.Office.Server.Search.Administrati
on" name="detail" element="q1:SearchServiceApplicationFault"/>
    </wsdl:message>
    <wsdl:message
name="ISearchQueryServiceApplication_IsUrlMappingCachedWithHash_InputMessage">
    <wsdl:part name="parameters" element="tns:IsUrlMappingCachedWithHash"/>
    </wsdl:message>
    <wsdl:message
name="ISearchQueryServiceApplication_IsUrlMappingCachedWithHash_OutputMessage">
    <wsdl:part name="parameters" element="tns:IsUrlMappingCachedWithHashResponse"/>
    </wsdl:message>
    <wsdl:message
name="ISearchQueryServiceApplication_IsUrlMappingCachedWithHash_SearchServiceApplicationFault
Fault_FaultMessage">
    <wsdl:part
xmlns:q1="http://schemas.datacontract.org/2004/07/Microsoft.Office.Server.Search.Administrati
on" name="detail" element="q1:SearchServiceApplicationFault"/>
    </wsdl:message>
    <wsdl:message name="ISearchQueryServiceApplication_RecordClick InputMessage">
    <wsdl:part name="parameters" element="tns:RecordClick"/>
    </wsdl:message>
    <wsdl:message name="ISearchQueryServiceApplication_RecordClick_OutputMessage">
    <wsdl:part name="parameters" element="tns:RecordClickResponse"/>
    </wsdl:message>
    <wsdl:message
name="ISearchQueryServiceApplication_RecordClick_SearchServiceApplicationFaultFault FaultMess
age">
    <wsdl:part
xmlns:q1="http://schemas.datacontract.org/2004/07/Microsoft.Office.Server.Search.Administrati
on" name="detail" element="q1:SearchServiceApplicationFault"/>
    </wsdl:message>
    <wsdl:message name="ISearchQueryServiceApplication_RecordOMQueryDoneEvent InputMessage">
    <wsdl:part name="parameters" element="tns:RecordOMQueryDoneEvent"/>
    </wsdl:message>
    <wsdl:message name="ISearchQueryServiceApplication_RecordOMQueryDoneEvent_OutputMessage">
    <wsdl:part name="parameters" element="tns:RecordOMQueryDoneEventResponse"/>

```

```

    </wsdl:message>
  <wsdl:message
name="ISearchQueryServiceApplication_RecordOMQueryDoneEvent_SearchServiceApplicationFaultFault_FaultMessage">
    <wsdl:part
xmlns:q1="http://schemas.datacontract.org/2004/07/Microsoft.Office.Server.Search.Administrati
on" name="detail" element="q1:SearchServiceApplicationFault"/>
  </wsdl:message>
  <wsdl:message name="ISearchQueryServiceApplication_RecordPageClick_InputMessage">
    <wsdl:part name="parameters" element="tns:RecordPageClick"/>
  </wsdl:message>
  <wsdl:message name="ISearchQueryServiceApplication_RecordPageClick_OutputMessage">
    <wsdl:part name="parameters" element="tns:RecordPageClickResponse"/>
  </wsdl:message>
  <wsdl:message
name="ISearchQueryServiceApplication_RecordPageClick_SearchServiceApplicationFaultFault_Fault
Message">
    <wsdl:part
xmlns:q1="http://schemas.datacontract.org/2004/07/Microsoft.Office.Server.Search.Administrati
on" name="detail" element="q1:SearchServiceApplicationFault"/>
  </wsdl:message>
  <wsdl:message name="ISearchQueryServiceApplication_RecordQueryErrorEvent_InputMessage">
    <wsdl:part name="parameters" element="tns:RecordQueryErrorEvent"/>
  </wsdl:message>
  <wsdl:message name="ISearchQueryServiceApplication_RecordQueryErrorEvent_OutputMessage">
    <wsdl:part name="parameters" element="tns:RecordQueryErrorEventResponse"/>
  </wsdl:message>
  <wsdl:message
name="ISearchQueryServiceApplication_RecordQueryErrorEvent_SearchServiceApplicationFaultFault
_FaultMessage">
    <wsdl:part
xmlns:q1="http://schemas.datacontract.org/2004/07/Microsoft.Office.Server.Search.Administrati
on" name="detail" element="q1:SearchServiceApplicationFault"/>
  </wsdl:message>
  <wsdl:message name="ISearchQueryServiceApplication_RecordUIQueryDoneEvent_InputMessage">
    <wsdl:part name="parameters" element="tns:RecordUIQueryDoneEvent"/>
  </wsdl:message>
  <wsdl:message name="ISearchQueryServiceApplication_RecordUIQueryDoneEvent_OutputMessage">
    <wsdl:part name="parameters" element="tns:RecordUIQueryDoneEventResponse"/>
  </wsdl:message>
  <wsdl:message
name="ISearchQueryServiceApplication_RecordUIQueryDoneEvent_SearchServiceApplicationFaultFault
_FaultMessage">
    <wsdl:part
xmlns:q1="http://schemas.datacontract.org/2004/07/Microsoft.Office.Server.Search.Administrati
on" name="detail" element="q1:SearchServiceApplicationFault"/>
  </wsdl:message>
  <wsdl:message
name="ISearchQueryServiceApplication_RecordWebPartQueryDoneEvent_InputMessage">
    <wsdl:part name="parameters" element="tns:RecordWebPartQueryDoneEvent"/>
  </wsdl:message>
  <wsdl:message
name="ISearchQueryServiceApplication_RecordWebPartQueryDoneEvent_OutputMessage">
    <wsdl:part name="parameters" element="tns:RecordWebPartQueryDoneEventResponse"/>
  </wsdl:message>
  <wsdl:message
name="ISearchQueryServiceApplication_RecordWebPartQueryDoneEvent_SearchServiceApplicationFault
Fault_FaultMessage">
    <wsdl:part
xmlns:q1="http://schemas.datacontract.org/2004/07/Microsoft.Office.Server.Search.Administrati
on" name="detail" element="q1:SearchServiceApplicationFault"/>
  </wsdl:message>
</wsdl:definitions>

```

7 Appendix B: Full XML Schema

Schema name	Prefix	Section
http://schemas.datacontract.org/2004/07/Microsoft.BusinessData.Infrastructure.SecureStore	tns1	7.11
http://schemas.datacontract.org/2004/07/Microsoft.Ceres.CoreServices.Utils.Azure	tns2	7.12
http://schemas.datacontract.org/2004/07/System.Data	Unassigned	7.10
http://tempuri.org/	tns	7.3
http://www.microsoft.com/sharepoint/search/KnownTypes/2008/08	q2	7.4
http://schemas.datacontract.org/2004/07/Microsoft.Office.SecureStoreService.Server	tns3	7.13
http://schemas.datacontract.org/2004/07/Microsoft.Office.Server.Search.Administration	q1	7.1
http://schemas.datacontract.org/2004/07/Microsoft.Office.Server.Search.Monitoring	tns4	7.2
http://schemas.datacontract.org/2004/07/Microsoft.Office.Server.Search.Query	tns5	7.5
http://schemas.datacontract.org/2004/07/Microsoft.SharePoint.Administration	tns6	7.6
http://schemas.microsoft.com/2003/10/Serialization/Arrays	q3	7.7
http://schemas.microsoft.com/2003/10/Serialization/	ser	7.8
http://schemas.datacontract.org/2004/07/System.Collections.Generic	tns7	7.9

For ease of implementation, the following sections provide the full XML schema for this protocol.

7.1 <http://schemas.datacontract.org/2004/07/Microsoft.Office.Server.Search.Administration> Schema

```
<?xml version="1.0" encoding="UTF-8"?>
<xs:schema
  xmlns:q1="http://schemas.datacontract.org/2004/07/Microsoft.Office.Server.Search.Administration" elementFormDefault="qualified"
  targetNamespace="http://schemas.datacontract.org/2004/07/Microsoft.Office.Server.Search.Administration" xmlns:xs="http://www.w3.org/2001/XMLSchema">
  <xs:import namespace="http://www.microsoft.com/sharepoint/search/KnownTypes/2008/08"/>
  <xs:complexType name="SearchServiceApplicationFault">
    <xs:sequence>
      <xs:element minOccurs="0" name="ErrorCode" type="xs:int"/>
      <xs:element xmlns:q2="http://www.microsoft.com/sharepoint/search/KnownTypes/2008/08" minOccurs="0" name="FaultType" type="q2:SearchServiceApplicationFaultType"/>
      <xs:element minOccurs="0" name="Message" nillable="true" type="xs:string"/>
    </xs:sequence>
  </xs:complexType>
  <xs:element name="SearchServiceApplicationFault" nillable="true" type="q1:SearchServiceApplicationFault"/>
  <xs:simpleType name="ScopeCompilationState">
    <xs:restriction base="xs:string">
      <xs:enumeration value="Empty"/>
      <xs:enumeration value="Invalid"/>
    </xs:restriction>
  </xs:simpleType>
</xs:schema>
```

```

    <xs:enumeration value="QueryExpanded"/>
    <xs:enumeration value="NeedsCompile"/>
    <xs:enumeration value="Compiled"/>
    <xs:enumeration value="NeedsRecompile"/>
  </xs:restriction>
</xs:simpleType>
<xs:element name="ScopeCompilationState" nillable="true" type="q1:ScopeCompilationState"/>
</xs:schema>

```

7.2 [http://schemas.datacontract.org/2004/07/Microsoft.Office.Server.Search.Monitoring Schema](http://schemas.datacontract.org/2004/07/Microsoft.Office.Server.Search.Monitoring.Schema)

```

<?xml version="1.0" encoding="UTF-8"?>
<xs:schema
  xmlns:tns4="http://schemas.datacontract.org/2004/07/Microsoft.Office.Server.Search.Monitoring"
  elementFormDefault="qualified"
  targetNamespace="http://schemas.datacontract.org/2004/07/Microsoft.Office.Server.Search.Monitoring"
  xmlns:xs="http://www.w3.org/2001/XMLSchema">
  <xs:import namespace="http://schemas.microsoft.com/2003/10/Serialization/Arrays"/>
  <xs:complexType name="QueryHealthMonitoringSettings">
    <xs:sequence>
      <xs:element minOccurs="0" name="AggregatedBufferFlushTimeoutMinutes" type="xs:int"/>
      <xs:element xmlns:q3="http://schemas.microsoft.com/2003/10/Serialization/Arrays"
        minOccurs="0" name="AggregatorFilters" nillable="true" type="q3:ArrayOfboolean"/>
      <xs:element minOccurs="0" name="BufferFlushThreshold" type="xs:int"/>
      <xs:element minOccurs="0" name="LatencyTrendBucketMs" type="xs:int"/>
      <xs:element minOccurs="0" name="LatencyTrendUseAggregation" type="xs:boolean"/>
      <xs:element minOccurs="0" name="MaxSizeMb" type="xs:int"/>
      <xs:element minOccurs="0" name="RetentionPeriodDays" type="xs:int"/>
      <xs:element xmlns:q3="http://schemas.microsoft.com/2003/10/Serialization/Arrays"
        minOccurs="0" name="VerboseFilters" nillable="true" type="q3:ArrayOfstring"/>
      <xs:element minOccurs="0" name="VerboseLatencyThreshold" type="xs:int"/>
      <xs:element minOccurs="0" name="VerboseQueryMonitoring" type="xs:boolean"/>
    </xs:sequence>
  </xs:complexType>
  <xs:element name="QueryHealthMonitoringSettings" nillable="true"
    type="tns4:QueryHealthMonitoringSettings"/>
</xs:schema>

```

7.3 <http://tempuri.org/> Schema

```

<?xml version="1.0" encoding="UTF-8"?>
<xs:schema elementFormDefault="qualified" targetNamespace="http://tempuri.org/"
  xmlns:xs="http://www.w3.org/2001/XMLSchema">
  <xs:import
    namespace="http://schemas.datacontract.org/2004/07/Microsoft.Office.Server.Search.Monitoring"
  />
  <xs:import
    namespace="http://schemas.datacontract.org/2004/07/Microsoft.Office.Server.Search.Query"/>
  <xs:import
    namespace="http://schemas.datacontract.org/2004/07/Microsoft.SharePoint.Administration"/>
  <xs:import namespace="http://schemas.microsoft.com/2003/10/Serialization/" />
  <xs:import namespace="http://schemas.microsoft.com/2003/10/Serialization/Arrays" />
  <xs:import namespace="http://www.microsoft.com/sharepoint/search/KnownTypes/2008/08" />
  <xs:element name="GetSearchTerms">
    <xs:complexType>
      <xs:sequence>
        <xs:element xmlns:q2="http://www.microsoft.com/sharepoint/search/KnownTypes/2008/08"
          minOccurs="0" name="properties" nillable="true" type="q2:KeywordQueryProperties"/>
      </xs:sequence>
    </xs:complexType>
  </xs:element>
  <xs:element name="GetSearchTermsResponse">
    <xs:complexType>
      <xs:sequence>

```

```

        <xs:element minOccurs="0" name="GetSearchTermsResult" nillable="true"
type="xs:string"/>
    </xs:sequence>
</xs:complexType>
</xs:element>
<xs:element name="Execute">
    <xs:complexType>
        <xs:sequence>
            <xs:element xmlns:q2="http://www.microsoft.com/sharepoint/search/KnownTypes/2008/08"
minOccurs="0" name="properties" nillable="true" type="q2:QueryProperties"/>
        </xs:sequence>
    </xs:complexType>
</xs:element>
<xs:element name="ExecuteResponse">
    <xs:complexType>
        <xs:sequence>
            <xs:element xmlns:q2="http://www.microsoft.com/sharepoint/search/KnownTypes/2008/08"
minOccurs="0" name="ExecuteResult" nillable="true" type="q2:ResultTableCollection"/>
        </xs:sequence>
    </xs:complexType>
</xs:element>
<xs:element name="GetProperties">
    <xs:complexType>
        <xs:sequence>
            <xs:element xmlns:q2="http://www.microsoft.com/sharepoint/search/KnownTypes/2008/08"
minOccurs="0" name="properties" nillable="true" type="q2:QueryProperties"/>
        </xs:sequence>
    </xs:complexType>
</xs:element>
<xs:element name="GetPropertiesResponse">
    <xs:complexType>
        <xs:sequence>
            <xs:element xmlns:q2="http://www.microsoft.com/sharepoint/search/KnownTypes/2008/08"
minOccurs="0" name="GetPropertiesResult" nillable="true"
type="q2:ArrayOfPropertyInformation"/>
        </xs:sequence>
    </xs:complexType>
</xs:element>
<xs:element name="GetScopes">
    <xs:complexType>
        <xs:sequence>
            <xs:element xmlns:q2="http://www.microsoft.com/sharepoint/search/KnownTypes/2008/08"
minOccurs="0" name="properties" nillable="true" type="q2:QueryProperties"/>
        </xs:sequence>
    </xs:complexType>
</xs:element>
<xs:element name="GetScopesResponse">
    <xs:complexType>
        <xs:sequence>
            <xs:element xmlns:q2="http://www.microsoft.com/sharepoint/search/KnownTypes/2008/08"
minOccurs="0" name="GetScopesResult" nillable="true" type="q2:ArrayOfScopeInformation"/>
        </xs:sequence>
    </xs:complexType>
</xs:element>
<xs:element name="GetQuerySuggestions">
    <xs:complexType>
        <xs:sequence>
            <xs:element xmlns:q2="http://www.microsoft.com/sharepoint/search/KnownTypes/2008/08"
minOccurs="0" name="properties" nillable="true" type="q2:QueryProperties"/>
            <xs:element minOccurs="0" name="iNumberOfSuggestions" type="xs:int"/>
            <xs:element minOccurs="0" name="fPreQuerySuggestions" type="xs:boolean"/>
            <xs:element minOccurs="0" name="fHitHighlighting" type="xs:boolean"/>
            <xs:element minOccurs="0" name="fCapitalizeFirstLetters" type="xs:boolean"/>
        </xs:sequence>
    </xs:complexType>
</xs:element>
<xs:element name="GetQuerySuggestionsResponse">
    <xs:complexType>
        <xs:sequence>

```



```

        <xs:element xmlns:q3="http://schemas.microsoft.com/2003/10/Serialization/Arrays"
minOccurs="0" name="GetQuerySuggestionsResult" nillable="true" type="q3:ArrayOfanyType"/>
    </xs:sequence>
</xs:complexType>
</xs:element>
<xs:element name="HighlightStringValue">
    <xs:complexType>
        <xs:sequence>
            <xs:element xmlns:q2="http://www.microsoft.com/sharepoint/search/KnownTypes/2008/08"
minOccurs="0" name="properties" nillable="true" type="q2:QueryProperties"/>
            <xs:element minOccurs="0" name="strValue" nillable="true" type="xs:string"/>
            <xs:element minOccurs="0" name="fLastTermByPrefix" type="xs:boolean"/>
        </xs:sequence>
    </xs:complexType>
</xs:element>
<xs:element name="HighlightStringValueResponse">
    <xs:complexType>
        <xs:sequence>
            <xs:element xmlns:q2="http://www.microsoft.com/sharepoint/search/KnownTypes/2008/08"
minOccurs="0" name="HighlightStringValueResult" nillable="true" type="q2:HighlightedString"/>
        </xs:sequence>
    </xs:complexType>
</xs:element>
<xs:element name="HighlightStringValueQuerySuggestions">
    <xs:complexType>
        <xs:sequence>
            <xs:element xmlns:q2="http://www.microsoft.com/sharepoint/search/KnownTypes/2008/08"
minOccurs="0" name="properties" nillable="true" type="q2:QueryProperties"/>
            <xs:element minOccurs="0" name="strValue" nillable="true" type="xs:string"/>
            <xs:element minOccurs="0" name="fLastTermByPrefix" type="xs:boolean"/>
        </xs:sequence>
    </xs:complexType>
</xs:element>
<xs:element name="HighlightStringValueQuerySuggestionsResponse">
    <xs:complexType>
        <xs:sequence>
            <xs:element xmlns:q2="http://www.microsoft.com/sharepoint/search/KnownTypes/2008/08"
minOccurs="0" name="HighlightStringValueQuerySuggestionsResult" nillable="true"
type="q2:HighlightedString"/>
        </xs:sequence>
    </xs:complexType>
</xs:element>
<xs:element name="GetClickFrequenciesForUrl">
    <xs:complexType>
        <xs:sequence>
            <xs:element minOccurs="0" name="url" nillable="true" type="xs:string"/>
            <xs:element minOccurs="0" name="referenceDate" type="xs:dateTime"/>
        </xs:sequence>
    </xs:complexType>
</xs:element>
<xs:element name="GetClickFrequenciesForUrlResponse">
    <xs:complexType>
        <xs:sequence>
            <xs:element xmlns:q3="http://schemas.microsoft.com/2003/10/Serialization/Arrays"
minOccurs="0" name="GetClickFrequenciesForUrlResult" nillable="true" type="q3:ArrayOfint"/>
        </xs:sequence>
    </xs:complexType>
</xs:element>
<xs:element name="GetTopQueryStringsForUrl">
    <xs:complexType>
        <xs:sequence>
            <xs:element minOccurs="0" name="url" nillable="true" type="xs:string"/>
            <xs:element minOccurs="0" name="topCount" type="xs:int"/>
        </xs:sequence>
    </xs:complexType>
</xs:element>
<xs:element name="GetTopQueryStringsForUrlResponse">
    <xs:complexType>
        <xs:sequence>

```

```

        <xs:element xmlns:q3="http://schemas.microsoft.com/2003/10/Serialization/Arrays"
minOccurs="0" name="GetTopQueryStringsForUrlResult" nillable="true" type="q3:ArrayOfstring"/>
    </xs:sequence>
</xs:complexType>
</xs:element>
<xs:element name="RecordClick">
    <xs:complexType>
        <xs:sequence>
            <xs:element xmlns:q2="http://www.microsoft.com/sharepoint/search/KnownTypes/2008/08"
minOccurs="0" name="Info" nillable="true" type="q2:QueryInfo"/>
        </xs:sequence>
    </xs:complexType>
</xs:element>
<xs:element name="RecordClickResponse">
    <xs:complexType>
        <xs:sequence/>
    </xs:complexType>
</xs:element>
<xs:element name="RecordPageClick">
    <xs:complexType>
        <xs:sequence>
            <xs:element
xmlns:tns5="http://schemas.datacontract.org/2004/07/Microsoft.Office.Server.Search.Query"
minOccurs="0" name="click" nillable="true" type="tns5:QueryLogPageClick"/>
            <xs:element
xmlns:tns5="http://schemas.datacontract.org/2004/07/Microsoft.Office.Server.Search.Query"
minOccurs="0" name="immediacy" nillable="true" type="tns5:QueryLogImmediacyInfo"/>
        </xs:sequence>
    </xs:complexType>
</xs:element>
<xs:element name="RecordPageClickResponse">
    <xs:complexType>
        <xs:sequence/>
    </xs:complexType>
</xs:element>
<xs:element name="GetSearchServiceApplicationInfo">
    <xs:complexType>
        <xs:sequence/>
    </xs:complexType>
</xs:element>
<xs:element name="GetSearchServiceApplicationInfoResponse">
    <xs:complexType>
        <xs:sequence>
            <xs:element xmlns:q2="http://www.microsoft.com/sharepoint/search/KnownTypes/2008/08"
minOccurs="0" name="GetSearchServiceApplicationInfoResult" nillable="true"
type="q2:SearchServiceApplicationInfo"/>
        </xs:sequence>
    </xs:complexType>
</xs:element>
<xs:element name="RecordUIQueryDoneEvent">
    <xs:complexType>
        <xs:sequence>
            <xs:element xmlns:q2="http://www.microsoft.com/sharepoint/search/KnownTypes/2008/08"
minOccurs="0" name="buffer" nillable="true" type="q2:UIQueryLatencyDataBuffer"/>
        </xs:sequence>
    </xs:complexType>
</xs:element>
<xs:element name="RecordUIQueryDoneEventResponse">
    <xs:complexType>
        <xs:sequence>
            <xs:element minOccurs="0" name="RecordUIQueryDoneEventResult" type="xs:boolean"/>
        </xs:sequence>
    </xs:complexType>
</xs:element>
<xs:element name="RecordWebPartQueryDoneEvent">
    <xs:complexType>
        <xs:sequence>
            <xs:element xmlns:q2="http://www.microsoft.com/sharepoint/search/KnownTypes/2008/08"
minOccurs="0" name="buffer" nillable="true" type="q2:WebPartQueryLatencyDataBuffer"/>
        </xs:sequence>
    </xs:complexType>
</xs:element>

```

```

        </xs:sequence>
    </xs:complexType>
</xs:element>
<xs:element name="RecordWebPartQueryDoneEventResponse">
    <xs:complexType>
        <xs:sequence>
            <xs:element minOccurs="0" name="RecordWebPartQueryDoneEventResult"
type="xs:boolean"/>
        </xs:sequence>
    </xs:complexType>
</xs:element>
<xs:element name="RecordOMQueryDoneEvent">
    <xs:complexType>
        <xs:sequence>
            <xs:element xmlns:q2="http://www.microsoft.com/sharepoint/search/KnownTypes/2008/08"
minOccurs="0" name="buffer" nillable="true" type="q2:OMQueryLatencyDataBuffer"/>
        </xs:sequence>
    </xs:complexType>
</xs:element>
<xs:element name="RecordOMQueryDoneEventResponse">
    <xs:complexType>
        <xs:sequence>
            <xs:element minOccurs="0" name="RecordOMQueryDoneEventResult" type="xs:boolean"/>
        </xs:sequence>
    </xs:complexType>
</xs:element>
<xs:element name="RecordQueryErrorEvent">
    <xs:complexType>
        <xs:sequence>
            <xs:element xmlns:q2="http://www.microsoft.com/sharepoint/search/KnownTypes/2008/08"
minOccurs="0" name="buffer" nillable="true" type="q2:QueryErrorDataBuffer"/>
        </xs:sequence>
    </xs:complexType>
</xs:element>
<xs:element name="RecordQueryErrorEventResponse">
    <xs:complexType>
        <xs:sequence>
            <xs:element minOccurs="0" name="RecordQueryErrorEventResult" type="xs:boolean"/>
        </xs:sequence>
    </xs:complexType>
</xs:element>
<xs:element name="GetQuerySuggestionsWithResults">
    <xs:complexType>
        <xs:sequence>
            <xs:element xmlns:q2="http://www.microsoft.com/sharepoint/search/KnownTypes/2008/08"
minOccurs="0" name="properties" nillable="true" type="q2:QueryProperties"/>
            <xs:element minOccurs="0" name="iNumberOfQuerySuggestions" type="xs:int"/>
            <xs:element minOccurs="0" name="iNumberOfResultSuggestions" type="xs:int"/>
            <xs:element minOccurs="0" name="fPreQuerySuggestions" type="xs:boolean"/>
            <xs:element minOccurs="0" name="fHitHighlighting" type="xs:boolean"/>
            <xs:element minOccurs="0" name="fCapitalizeFirstLetters" type="xs:boolean"/>
            <xs:element minOccurs="0" name="fPrefixMatchAllTerms" type="xs:boolean"/>
        </xs:sequence>
    </xs:complexType>
</xs:element>
<xs:element name="GetQuerySuggestionsWithResultsResponse">
    <xs:complexType>
        <xs:sequence>
            <xs:element xmlns:q2="http://www.microsoft.com/sharepoint/search/KnownTypes/2008/08"
minOccurs="0" name="GetQuerySuggestionsWithResultsResult" nillable="true"
type="q2:QuerySuggestionResults"/>
        </xs:sequence>
    </xs:complexType>
</xs:element>
<xs:element name="GetQueryCompletions">
    <xs:complexType>
        <xs:sequence>
            <xs:element xmlns:q2="http://www.microsoft.com/sharepoint/search/KnownTypes/2008/08"
minOccurs="0" name="properties" nillable="true" type="q2:QueryProperties"/>

```

```

        <xs:element minOccurs="0" name="numberOfCompletions" type="xs:int"/>
        <xs:element minOccurs="0" name="sources" nillable="true" type="xs:string"/>
        <xs:element minOccurs="0" name="cursorPosition" type="xs:int"/>
    </xs:sequence>
</xs:complexType>
</xs:element>
<xs:element name="GetQueryCompletionsResponse">
    <xs:complexType>
        <xs:sequence>
            <xs:element xmlns:q2="http://www.microsoft.com/sharepoint/search/KnownTypes/2008/08"
minOccurs="0" name="GetQueryCompletionsResult" nillable="true"
type="q2:QueryAutoCompletionResults"/>
        </xs:sequence>
    </xs:complexType>
</xs:element>
<xs:element name="GetImsEndpointAddresses">
    <xs:complexType>
        <xs:sequence/>
    </xs:complexType>
</xs:element>
<xs:element name="GetImsEndpointAddressesResponse">
    <xs:complexType>
        <xs:sequence>
            <xs:element xmlns:q3="http://schemas.microsoft.com/2003/10/Serialization/Arrays"
minOccurs="0" name="GetImsEndpointAddressesResult" nillable="true" type="q3:ArrayOfanyURI"/>
        </xs:sequence>
    </xs:complexType>
</xs:element>
<xs:element name="IsUrlMappingCached">
    <xs:complexType>
        <xs:sequence>
            <xs:element xmlns:ser="http://schemas.microsoft.com/2003/10/Serialization/"
minOccurs="0" name="subscriptionId" type="ser:guid"/>
            <xs:element
xmlns:tns6="http://schemas.datacontract.org/2004/07/Microsoft.SharePoint.Administration"
minOccurs="0" name="zone" type="tns6:SPUrlZone"/>
        </xs:sequence>
    </xs:complexType>
</xs:element>
<xs:element name="IsUrlMappingCachedResponse">
    <xs:complexType>
        <xs:sequence>
            <xs:element minOccurs="0" name="IsUrlMappingCachedResult" type="xs:int"/>
        </xs:sequence>
    </xs:complexType>
</xs:element>
<xs:element name="IsUrlMappingCachedWithHash">
    <xs:complexType>
        <xs:sequence>
            <xs:element xmlns:ser="http://schemas.microsoft.com/2003/10/Serialization/"
minOccurs="0" name="subscriptionId" type="ser:guid"/>
            <xs:element
xmlns:tns6="http://schemas.datacontract.org/2004/07/Microsoft.SharePoint.Administration"
minOccurs="0" name="zone" type="tns6:SPUrlZone"/>
            <xs:element minOccurs="0" name="hash" nillable="true" type="xs:string"/>
        </xs:sequence>
    </xs:complexType>
</xs:element>
<xs:element name="IsUrlMappingCachedWithHashResponse">
    <xs:complexType>
        <xs:sequence>
            <xs:element minOccurs="0" name="IsUrlMappingCachedWithHashResult" type="xs:int"/>
        </xs:sequence>
    </xs:complexType>
</xs:element>
<xs:element name="GetZeroTermsQuerySuggestionsWithResults">
    <xs:complexType>
        <xs:sequence>

```

```

        <xs:element xmlns:q2="http://www.microsoft.com/sharepoint/search/KnownTypes/2008/08"
minOccurs="0" name="properties" nillable="true" type="q2:QueryProperties"/>
        <xs:element minOccurs="0" name="iNumberOfQuerySuggestions" type="xs:int"/>
        <xs:element minOccurs="0" name="iNumberOfResultSuggestions" type="xs:int"/>
        <xs:element minOccurs="0" name="fCapitalizeFirstLetters" type="xs:boolean"/>
    </xs:sequence>
</xs:complexType>
</xs:element>
<xs:element name="GetZeroTermsQuerySuggestionsWithResultsResponse">
    <xs:complexType>
        <xs:sequence>
            <xs:element xmlns:q2="http://www.microsoft.com/sharepoint/search/KnownTypes/2008/08"
minOccurs="0" name="GetZeroTermsQuerySuggestionsWithResultsResult" nillable="true"
type="q2:QuerySuggestionResults"/>
        </xs:sequence>
    </xs:complexType>
</xs:element>
<xs:element name="RecordUIQueryDone">
    <xs:complexType>
        <xs:sequence>
            <xs:element xmlns:q2="http://www.microsoft.com/sharepoint/search/KnownTypes/2008/08"
minOccurs="0" name="buffer" nillable="true" type="q2:UIQueryLatencyDataBuffer"/>
        </xs:sequence>
    </xs:complexType>
</xs:element>
<xs:element name="RecordUIQueryDoneResponse">
    <xs:complexType>
        <xs:sequence>
            <xs:element minOccurs="0" name="RecordUIQueryDoneResult" type="xs:boolean"/>
        </xs:sequence>
    </xs:complexType>
</xs:element>
<xs:element name="RecordWebPartQueryDone">
    <xs:complexType>
        <xs:sequence>
            <xs:element xmlns:q2="http://www.microsoft.com/sharepoint/search/KnownTypes/2008/08"
minOccurs="0" name="buffer" nillable="true" type="q2:WebPartQueryLatencyDataBuffer"/>
        </xs:sequence>
    </xs:complexType>
</xs:element>
<xs:element name="RecordWebPartQueryDoneResponse">
    <xs:complexType>
        <xs:sequence>
            <xs:element minOccurs="0" name="RecordWebPartQueryDoneResult" type="xs:boolean"/>
        </xs:sequence>
    </xs:complexType>
</xs:element>
<xs:element name="RecordOMQueryDone">
    <xs:complexType>
        <xs:sequence>
            <xs:element xmlns:q2="http://www.microsoft.com/sharepoint/search/KnownTypes/2008/08"
minOccurs="0" name="buffer" nillable="true" type="q2:OMQueryLatencyDataBuffer"/>
        </xs:sequence>
    </xs:complexType>
</xs:element>
<xs:element name="RecordOMQueryDoneResponse">
    <xs:complexType>
        <xs:sequence>
            <xs:element minOccurs="0" name="RecordOMQueryDoneResult" type="xs:boolean"/>
        </xs:sequence>
    </xs:complexType>
</xs:element>
<xs:element name="RecordQueryError">
    <xs:complexType>
        <xs:sequence>
            <xs:element xmlns:q2="http://www.microsoft.com/sharepoint/search/KnownTypes/2008/08"
minOccurs="0" name="buffer" nillable="true" type="q2:QueryErrorDataBuffer"/>
        </xs:sequence>
    </xs:complexType>

```

```

</xs:element>
<xs:element name="RecordQueryErrorResponse">
  <xs:complexType>
    <xs:sequence>
      <xs:element minOccurs="0" name="RecordQueryErrorResult" type="xs:boolean"/>
    </xs:sequence>
  </xs:complexType>
</xs:element>
<xs:element name="GetQueryHealthMonitoringSettings">
  <xs:complexType>
    <xs:sequence>
      <xs:element minOccurs="0" name="component" nillable="true" type="xs:string"/>
    </xs:sequence>
  </xs:complexType>
</xs:element>
<xs:element name="GetQueryHealthMonitoringSettingsResponse">
  <xs:complexType>
    <xs:sequence>
      <xs:element
xmlns:tns4="http://schemas.datacontract.org/2004/07/Microsoft.Office.Server.Search.Monitoring
" minOccurs="0" name="GetQueryHealthMonitoringSettingsResult" nillable="true"
type="tns4:QueryHealthMonitoringSettings"/>
    </xs:sequence>
  </xs:complexType>
</xs:element>
<xs:element name="GetQueryHealthMonitoringSettingsForComponents">
  <xs:complexType>
    <xs:sequence>
      <xs:element xmlns:q3="http://schemas.microsoft.com/2003/10/Serialization/Arrays"
minOccurs="0" name="components" nillable="true" type="q3:ArrayOfstring"/>
    </xs:sequence>
  </xs:complexType>
</xs:element>
<xs:element name="GetQueryHealthMonitoringSettingsForComponentsResponse">
  <xs:complexType>
    <xs:sequence>
      <xs:element xmlns:q3="http://schemas.microsoft.com/2003/10/Serialization/Arrays"
minOccurs="0" name="GetQueryHealthMonitoringSettingsForComponentsResult" nillable="true"
type="q3:ArrayOfKeyValueOfstringQueryHealthMonitoringSettingsvncQr8z"/>
    </xs:sequence>
  </xs:complexType>
</xs:element>
</xs:schema>

```

7.4 <http://www.microsoft.com/sharepoint/search/KnownTypes/2008/08> Schema

```

<?xml version="1.0" encoding="UTF-8"?>
<xs:schema xmlns:q2="http://www.microsoft.com/sharepoint/search/KnownTypes/2008/08"
xmlns:ser="http://schemas.microsoft.com/2003/10/Serialization/"
elementFormDefault="qualified"
targetNamespace="http://www.microsoft.com/sharepoint/search/KnownTypes/2008/08"
xmlns:xs="http://www.w3.org/2001/XMLSchema">
  <xs:import
namespace="http://schemas.datacontract.org/2004/07/Microsoft.Office.Server.Search.Administrat
ion"/>
  <xs:import
namespace="http://schemas.datacontract.org/2004/07/Microsoft.Office.Server.Search.Query"/>
  <xs:import
namespace="http://schemas.datacontract.org/2004/07/Microsoft.SharePoint.Administration"/>
  <xs:import namespace="http://schemas.datacontract.org/2004/07/System.Collections.Generic"/>
  <xs:import namespace="http://schemas.microsoft.com/2003/10/Serialization/" />
  <xs:import namespace="http://schemas.microsoft.com/2003/10/Serialization/Arrays" />
  <xs:complexType name="KeywordQueryProperties">
    <xs:complexContent mixed="false">
      <xs:extension base="q2:QueryProperties">
        <xs:sequence>

```

```

        <xs:element xmlns:q3="http://schemas.microsoft.com/2003/10/Serialization/Arrays"
minOccurs="0" name="CustomRefinementIntervals" nillable="true"
type="q3:ArrayOfKeyValueOfstringArrayOfRefinementInterval_PFsic3Az"/>
        <xs:element minOccurs="0" name="EnableFQL" type="xs:boolean"/>
        <xs:element
xmlns:tns5="http://schemas.datacontract.org/2004/07/Microsoft.Office.Server.Search.Query"
minOccurs="0" name="EnableSpellcheck" type="tns5:SpellcheckMode"/>
        <xs:element minOccurs="0" name="EnableUrlSmashing" type="xs:boolean"/>
        <xs:element minOccurs="0" name="GenerationId" type="xs:long"/>
        <xs:element minOccurs="0" name="HiddenConstraints" nillable="true"
type="xs:string"/>
        <xs:element minOccurs="0" name="IsCachable" type="xs:boolean"/>
        <xs:element minOccurs="0" name="MaxShallowRefinementHits" type="xs:int"/>
        <xs:element minOccurs="0" name="MaxSummaryLength" type="xs:int"/>
        <xs:element minOccurs="0" name="MaxUrlLength" type="xs:int"/>
        <xs:element xmlns:q3="http://schemas.microsoft.com/2003/10/Serialization/Arrays"
minOccurs="0" name="RefinementFilters" nillable="true" type="q3:ArrayOfanyType"/>
        <xs:element minOccurs="0" name="Refiners" nillable="true" type="xs:string"/>
        <xs:element minOccurs="0" name="ReorderingRules" nillable="true"
type="q2:ReorderingRuleCollection"/>
        <xs:element
xmlns:tns5="http://schemas.datacontract.org/2004/07/Microsoft.Office.Server.Search.Query"
minOccurs="0" name="ResubmitFlags" type="tns5:ResubmitFlag"/>
        <xs:element xmlns:q3="http://schemas.microsoft.com/2003/10/Serialization/Arrays"
minOccurs="0" name="SelectProperties" nillable="true" type="q3:ArrayOfanyType"/>
        <xs:element minOccurs="0" name="SimilarTo" nillable="true" type="xs:string"/>
        <xs:element
xmlns:tns5="http://schemas.datacontract.org/2004/07/Microsoft.Office.Server.Search.Query"
minOccurs="0" name="SimilarType" type="tns5:SimilarType"/>
        <xs:element minOccurs="0" name="SortList" nillable="true"
type="q2:SortCollection"/>
        <xs:element minOccurs="0" name="SortSimilar" type="xs:boolean"/>
        <xs:element minOccurs="0" name="TrimDuplicatesIncludeId" type="xs:long"/>
        <xs:element minOccurs="0" name="TrimDuplicatesKeepCount" type="xs:int"/>
        <xs:element minOccurs="0" name="TrimDuplicatesOnProperty" nillable="true"
type="xs:string"/>
        <xs:element minOccurs="0" name="UserContextData" nillable="true" type="xs:string"/>
        <xs:element minOccurs="0" name="UserContextGroupID" nillable="true"
type="xs:string"/>
        </xs:sequence>
    </xs:extension>
</xs:complexContent>
</xs:complexType>
<xs:element name="KeywordQueryProperties" nillable="true"
type="q2:KeywordQueryProperties"/>
<xs:complexType name="QueryProperties">
    <xs:sequence>
        <xs:element minOccurs="0" name="AlertInfo" nillable="true" type="q2:AlertInfo"/>
        <xs:element
xmlns:tns5="http://schemas.datacontract.org/2004/07/Microsoft.Office.Server.Search.Query"
minOccurs="0" name="AuthenticationType" type="tns5:QueryAuthenticationType"/>
        <xs:element minOccurs="0" name="CorrelationId" type="ser:guid"/>
        <xs:element minOccurs="0" name="EnableNicknames" type="xs:boolean"/>
        <xs:element minOccurs="0" name="EnablePhonetic" type="xs:boolean"/>
        <xs:element minOccurs="0" name="EnableStemming" type="xs:boolean"/>
        <xs:element minOccurs="0" name="FarmId" type="ser:guid"/>
        <xs:element
xmlns:tns5="http://schemas.datacontract.org/2004/07/Microsoft.Office.Server.Search.Query"
minOccurs="0" name="Hint" type="tns5:QueryHint"/>
        <xs:element xmlns:q3="http://schemas.microsoft.com/2003/10/Serialization/Arrays"
minOccurs="0" name="HitHighlightedProperties" nillable="true" type="q3:ArrayOfanyType"/>
        <xs:element minOccurs="0" name="IgnoreAllNoiseQuery" type="xs:boolean"/>
        <xs:element
xmlns:tns5="http://schemas.datacontract.org/2004/07/Microsoft.Office.Server.Search.Query"
minOccurs="0" name="KeywordInclusion" type="tns5:KeywordInclusion"/>
        <xs:element minOccurs="0" name="Locale" type="xs:int"/>
        <xs:element minOccurs="0" name="MergeWithDefaultPartition" type="xs:boolean"/>
        <xs:element minOccurs="0" name="OLSQuerySession" nillable="true" type="xs:string"/>
    
```

```

    <xs:element
xmlns:tns5="http://schemas.datacontract.org/2004/07/Microsoft.Office.Server.Search.Query"
minOccurs="0" name="PagingCookie" nillable="true" type="tns5:PagingCookie"/>
    <xs:element minOccurs="0" name="PartitionId" type="ser:guid"/>
    <xs:element minOccurs="0" name="PersonalizationData" nillable="true"
type="q2:QueryPersonalizationData"/>
    <xs:element minOccurs="0" name="QueryText" nillable="true" type="xs:string"/>
    <xs:element minOccurs="0" name="RankingModelId" nillable="true" type="xs:string"/>
    <xs:element
xmlns:tns5="http://schemas.datacontract.org/2004/07/Microsoft.Office.Server.Search.Query"
minOccurs="0" name="ResultTypes" type="tns5:ResultType"/>
    <xs:element
xmlns:tns5="http://schemas.datacontract.org/2004/07/Microsoft.Office.Server.Search.Query"
minOccurs="0" name="ResultsProvider" type="tns5:SearchProvider"/>
    <xs:element minOccurs="0" name="RowLimit" type="xs:int"/>
    <xs:element minOccurs="0" name="RowsPerPage" type="xs:int"/>
    <xs:element minOccurs="0" name="Sid" nillable="true" type="xs:string"/>
    <xs:element minOccurs="0" name="SiteId" type="ser:guid"/>
    <xs:element minOccurs="0" name="StartRow" type="xs:int"/>
    <xs:element minOccurs="0" name="SummaryLength" type="xs:int"/>
    <xs:element minOccurs="0" name="TimeZoneID" type="xs:int"/>
    <xs:element minOccurs="0" name="Timeout" type="xs:int"/>
    <xs:element minOccurs="0" name="TotalRowsExactMinimum" type="xs:int"/>
    <xs:element minOccurs="0" name="TrimDuplicates" type="xs:boolean"/>
    <xs:element
xmlns:tns6="http://schemas.datacontract.org/2004/07/Microsoft.SharePoint.Administration"
minOccurs="0" name="UrlZone" type="tns6:SPUrlZone"/>
    <xs:element minOccurs="0" name="UseOLSQuery" type="xs:int"/>
    <xs:element minOccurs="0" name="WcfTimeout" type="xs:int"/>
    <xs:element minOccurs="0" name="WebId" type="ser:guid"/>
    <xs:element xmlns:q3="http://schemas.microsoft.com/2003/10/Serialization/Arrays"
minOccurs="0" name="Properties" nillable="true" type="q3:ArrayOfKeyValueOfstringanyType"/>
    <xs:element minOccurs="0" name="PropertiesContractVersion" nillable="true"
type="xs:string"/>
    <xs:element minOccurs="0" name="RemainingDeserializationSkips" type="xs:int"/>
    <xs:element minOccurs="0" name="SerializedPropertyBag" nillable="true"
type="xs:string"/>
    <xs:element minOccurs="0" name="DirectImsEndpointUri" nillable="true"
type="xs:anyURI"/>
  </xs:sequence>
</xs:complexType>
  <xs:element name="QueryProperties" nillable="true" type="q2:QueryProperties"/>
  <xs:complexType name="AlertInfo">
    <xs:sequence>
      <xs:element
xmlns:tns5="http://schemas.datacontract.org/2004/07/Microsoft.Office.Server.Search.Query"
minOccurs="0" name="ChangeType" type="tns5:AlertChangeType"/>
      <xs:element minOccurs="0" name="LastUpdateTime" type="xs:dateTime"/>
    </xs:sequence>
  </xs:complexType>
  <xs:element name="AlertInfo" nillable="true" type="q2:AlertInfo"/>
  <xs:complexType name="QueryPersonalizationData">
    <xs:sequence>
      <xs:element minOccurs="0" name="UserId" type="ser:guid"/>
    </xs:sequence>
  </xs:complexType>
  <xs:element name="QueryPersonalizationData" nillable="true"
type="q2:QueryPersonalizationData"/>
  <xs:complexType name="SortCollection">
    <xs:sequence>
      <xs:element minOccurs="0" name="m_elements" nillable="true" type="q2:ArrayOfSort"/>
    </xs:sequence>
  </xs:complexType>
  <xs:element name="SortCollection" nillable="true" type="q2:SortCollection"/>
  <xs:complexType name="ArrayOfSort">
    <xs:sequence>
      <xs:element minOccurs="0" maxOccurs="unbounded" name="Sort" nillable="true"
type="q2:Sort"/>
    </xs:sequence>
  </xs:complexType>

```



```

</xs:complexType>
<xs:element name="ArrayOfSort" nillable="true" type="q2:ArrayOfSort"/>
<xs:complexType name="Sort">
  <xs:sequence>
    <xs:element
xmlns:tns5="http://schemas.datacontract.org/2004/07/Microsoft.Office.Server.Search.Query"
minOccurs="0" name="direction" type="tns5:SortDirection"/>
    <xs:element minOccurs="0" name="strProperty" nillable="true" type="xs:string"/>
  </xs:sequence>
</xs:complexType>
<xs:element name="Sort" nillable="true" type="q2:Sort"/>
<xs:complexType name="ReorderingRuleCollection">
  <xs:sequence>
    <xs:element
xmlns:tns5="http://schemas.datacontract.org/2004/07/Microsoft.Office.Server.Search.Query"
minOccurs="0" name="m_elements" nillable="true" type="tns5:ArrayOfReorderingRule"/>
  </xs:sequence>
</xs:complexType>
<xs:element name="ReorderingRuleCollection" nillable="true"
type="q2:ReorderingRuleCollection"/>
<xs:complexType name="FullTextSqlQueryProperties">
  <xs:complexContent mixed="false">
    <xs:extension base="q2:QueryProperties">
      <xs:sequence/>
    </xs:extension>
  </xs:complexContent>
</xs:complexType>
<xs:element name="FullTextSqlQueryProperties" nillable="true"
type="q2:FullTextSqlQueryProperties"/>
<xs:complexType name="ArrayOfRefinementInterval">
  <xs:sequence>
    <xs:element minOccurs="0" maxOccurs="unbounded" name="RefinementInterval"
nillable="true" type="q2:RefinementInterval"/>
  </xs:sequence>
</xs:complexType>
<xs:element name="ArrayOfRefinementInterval" nillable="true"
type="q2:ArrayOfRefinementInterval"/>
<xs:complexType name="RefinementInterval">
  <xs:sequence>
    <xs:element minOccurs="0" name="CustomValue" nillable="true" type="xs:string"/>
    <xs:element minOccurs="0" name="Lower" nillable="true" type="xs:anyType"/>
    <xs:element minOccurs="0" name="Upper" nillable="true" type="xs:anyType"/>
  </xs:sequence>
</xs:complexType>
<xs:element name="RefinementInterval" nillable="true" type="q2:RefinementInterval"/>
<xs:complexType name="DateRefinementInterval">
  <xs:complexContent mixed="false">
    <xs:extension base="q2:RefinementInterval">
      <xs:sequence>
        <xs:element minOccurs="0" name="LowerDate" type="xs:dateTime"/>
        <xs:element minOccurs="0" name="UpperDate" type="xs:dateTime"/>
      </xs:sequence>
    </xs:extension>
  </xs:complexContent>
</xs:complexType>
<xs:element name="DateRefinementInterval" nillable="true"
type="q2:DateRefinementInterval"/>
<xs:complexType name="NumericRefinementInterval">
  <xs:complexContent mixed="false">
    <xs:extension base="q2:RefinementInterval">
      <xs:sequence>
        <xs:element minOccurs="0" name="LowerNum" type="xs:long"/>
        <xs:element minOccurs="0" name="UpperNum" type="xs:long"/>
      </xs:sequence>
    </xs:extension>
  </xs:complexContent>
</xs:complexType>
<xs:element name="NumericRefinementInterval" nillable="true"
type="q2:NumericRefinementInterval"/>

```

```

<xs:simpleType name="SearchServiceApplicationFaultType">
  <xs:restriction base="xs:string">
    <xs:enumeration value="SpecialTerm_NotFound"/>
    <xs:enumeration value="SpecialTerm_DuplicateError"/>
    <xs:enumeration value="Synonym_NotFound"/>
    <xs:enumeration value="BestBet_NotFound"/>
    <xs:enumeration value="BestBet_OrderDuplicationError"/>
    <xs:enumeration value="AllNoiseQuery"/>
    <xs:enumeration value="SearchServiceNotFound"/>
    <xs:enumeration value="QueryMalformed"/>
    <xs:enumeration value="ScopeNotFound"/>
    <xs:enumeration value="InvalidProperty"/>
    <xs:enumeration value="OnlyExcludedTerms"/>
    <xs:enumeration value="RankingModelNotFound"/>
    <xs:enumeration value="UnsupportedTopology"/>
    <xs:enumeration value="FASTSearchQuery"/>
    <xs:enumeration value="Timeout"/>
    <xs:enumeration value="ExtendedConnectorApplicaion"/>
    <xs:enumeration value="PartitionOptionsMismatch"/>
    <xs:enumeration value="TooComplexQueryException"/>
    <xs:enumeration value="QueryThrottled"/>
    <xs:enumeration value="InternalError"/>
    <xs:enumeration value="QueryTransformInvalidProperty"/>
    <xs:enumeration value="QueryConfigurationImportException"/>
    <xs:enumeration value="ApplicationSpecific"/>
    <xs:enumeration value="DiscoveryFederatedSourceNotFound"/>
    <xs:enumeration value="RemoteSharepointSourceFault"/>
    <xs:enumeration value="TenantSiteCollectionMismatchException"/>
    <xs:enumeration value="InvalidNameException"/>
    <xs:enumeration value="InvalidPropertyTypeException"/>
    <xs:enumeration value="CouldNotModifySchemaException"/>
    <xs:enumeration value="InvalidMappingException"/>
    <xs:enumeration value="ObjectNotFoundException"/>
    <xs:enumeration value="PropertyIsReadOnlyException"/>
    <xs:enumeration value="PropertyCannotHaveMappingsException"/>
    <xs:enumeration value="InvalidManagedPropertyValue"/>
    <xs:enumeration value="ArgumentNullException"/>
    <xs:enumeration value="UnauthorizedAccessException"/>
    <xs:enumeration value="DatabaseException"/>
    <xs:enumeration value="SchemaExportException"/>
    <xs:enumeration value="SchemaImportException"/>
    <xs:enumeration value="NotSupported"/>
    <xs:enumeration value="QueryPropertyOutOfRange"/>
  </xs:restriction>
</xs:simpleType>
<xs:element name="SearchServiceApplicationFaultType" nillable="true"
type="q2:SearchServiceApplicationFaultType"/>
<xs:complexType name="ResultTableCollection">
  <xs:sequence>
    <xs:element minOccurs="0" name="DatabaseTime" type="xs:int"/>
    <xs:element minOccurs="0" name="Definition" nillable="true"
type="q2:ArrayOfResultDefinition"/>
    <xs:element minOccurs="0" name="ElapsedTime" type="xs:int"/>
    <xs:element xmlns:q3="http://schemas.microsoft.com/2003/10/Serialization/Arrays"
minOccurs="0" name="IgnoredNoiseWords" nillable="true" type="q3:ArrayOfstring"/>
    <xs:element xmlns:q3="http://schemas.microsoft.com/2003/10/Serialization/Arrays"
minOccurs="0" name="InternalQueryErrors" nillable="true"
type="q3:ArrayOfKeyValueOfstringSearchServiceApplicationFaulty6h3NzC8"/>
    <xs:element minOccurs="0" name="KeywordInformation" nillable="true"
type="q2:KeywordInformation"/>
    <xs:element minOccurs="0" name="QueryMachine" nillable="true" type="xs:string"/>
    <xs:element minOccurs="0" name="QueryModification" nillable="true" type="xs:string"/>
    <xs:element minOccurs="0" name="QueryProcessingTime" type="xs:int"/>
    <xs:element xmlns:q3="http://schemas.microsoft.com/2003/10/Serialization/Arrays"
minOccurs="0" name="QueryTerms" nillable="true" type="q3:ArrayOfstring"/>
    <xs:element minOccurs="0" name="SpellingSuggestion" nillable="true" type="xs:string"/>
    <xs:element xmlns:q3="http://schemas.microsoft.com/2003/10/Serialization/Arrays"
minOccurs="0" name="m_ResultTables" nillable="true"
type="q3:ArrayOfKeyValueOfResultTypeResultTableUTLV0zE5"/>
  </xs:sequence>
</xs:complexType>

```

```

    <xs:element minOccurs="0" name="IMSProxyTime" type="xs:int"/>
    <xs:element xmlns:q3="http://schemas.microsoft.com/2003/10/Serialization/Arrays"
minOccurs="0" name="Properties" nillable="true" type="q3:ArrayOfKeyValueOfstringanyType"/>
    <xs:element minOccurs="0" name="PropertiesContractVersion" nillable="true"
type="xs:string"/>
    <xs:element xmlns:q3="http://schemas.microsoft.com/2003/10/Serialization/Arrays"
minOccurs="0" name="QueryParameterTimestamps" nillable="true"
type="q3:ArrayOfKeyValueOfstringstring"/>
    <xs:element minOccurs="0" name="RemainingDeserializationSkips" type="xs:int"/>
    <xs:element minOccurs="0" name="SerializedResultTables" nillable="true"
type="xs:string"/>
    <xs:element
xmlns:tns7="http://schemas.datacontract.org/2004/07/System.Collections.Generic" minOccurs="0"
name="mResultTables" nillable="true"
type="tns7:ArrayOfKeyValuePairOfstringResultTable_PFsic3Az"/>
  </xs:sequence>
</xs:complexType>
<xs:element name="ResultTableCollection" nillable="true" type="q2:ResultTableCollection"/>
<xs:complexType name="ArrayOfResultDefinition">
  <xs:sequence>
    <xs:element minOccurs="0" maxOccurs="unbounded" name="ResultDefinition"
type="q2:ResultDefinition"/>
  </xs:sequence>
</xs:complexType>
<xs:element name="ArrayOfResultDefinition" nillable="true"
type="q2:ArrayOfResultDefinition"/>
<xs:complexType name="ResultDefinition">
  <xs:sequence>
    <xs:element minOccurs="0" name="DocHref" nillable="true" type="xs:string"/>
    <xs:element minOccurs="0" name="DocTitle" nillable="true" type="xs:string"/>
    <xs:element minOccurs="0" name="Sentence" nillable="true" type="xs:string"/>
    <xs:element minOccurs="0" name="TermLength" type="xs:int"/>
    <xs:element minOccurs="0" name="TermOffset" type="xs:int"/>
  </xs:sequence>
</xs:complexType>
<xs:element name="ResultDefinition" nillable="true" type="q2:ResultDefinition"/>
<xs:complexType name="KeywordInformation">
  <xs:sequence>
    <xs:element minOccurs="0" name="Definition" nillable="true" type="xs:string"/>
    <xs:element minOccurs="0" name="Keyword" nillable="true" type="xs:string"/>
  </xs:sequence>
</xs:complexType>
<xs:element name="KeywordInformation" nillable="true" type="q2:KeywordInformation"/>
<xs:complexType name="ResultTable">
  <xs:sequence>
    <xs:element minOccurs="0" name="IsTotalRowsExact" type="xs:boolean"/>
  </xs:sequence>
</xs:complexType>
xmlns:tns5="http://schemas.datacontract.org/2004/07/Microsoft.Office.Server.Search.Query"
minOccurs="0" name="ResultType" type="tns5:ResultType"/>
    <xs:element minOccurs="0" name="RowCount" type="xs:int"/>
    <xs:element minOccurs="0" name="Table" nillable="true">
      <xs:complexType>
        <xs:sequence>
          <xs:any minOccurs="0" maxOccurs="unbounded"
namespace="http://www.w3.org/2001/XMLSchema" processContents="lax"/>
          <xs:any minOccurs="1" namespace="urn:schemas-microsoft-com:xml-diffgram-v1"
processContents="lax"/>
        </xs:sequence>
      </xs:complexType>
    </xs:element>
    <xs:element minOccurs="0" name="TimeZoneID" type="xs:int"/>
    <xs:element minOccurs="0" name="TotalRows" type="xs:int"/>
    <xs:element minOccurs="0" name="TotalRowsIncludingDuplicates" type="xs:int"/>
    <xs:element xmlns:q3="http://schemas.microsoft.com/2003/10/Serialization/Arrays"
minOccurs="0" name="Properties" nillable="true" type="q3:ArrayOfKeyValueOfstringanyType"/>
  </xs:sequence>
</xs:complexType>
<xs:element name="ResultTable" nillable="true" type="q2:ResultTable"/>
<xs:complexType name="ArrayOfPropertyInformation">

```

```

    <xs:sequence>
      <xs:element minOccurs="0" maxOccurs="unbounded" name="PropertyInformation"
nillable="true" type="q2:PropertyInformation"/>
    </xs:sequence>
  </xs:complexType>
  <xs:element name="ArrayOfPropertyInformation" nillable="true"
type="q2:ArrayOfPropertyInformation"/>
  <xs:complexType name="PropertyInformation">
    <xs:sequence>
      <xs:element minOccurs="0" name="Description" nillable="true" type="xs:string"/>
      <xs:element minOccurs="0" name="FullTextQueryable" type="xs:boolean"/>
      <xs:element minOccurs="0" name="Name" nillable="true" type="xs:string"/>
      <xs:element minOccurs="0" name="Refinable" type="xs:boolean"/>
      <xs:element minOccurs="0" name="Retrievable" type="xs:boolean"/>
      <xs:element minOccurs="0" name="Sortable" type="xs:boolean"/>
      <xs:element minOccurs="0" name="m_TypeFullName" nillable="true" type="xs:string"/>
    </xs:sequence>
  </xs:complexType>
  <xs:element name="PropertyInformation" nillable="true" type="q2:PropertyInformation"/>
  <xs:complexType name="ArrayOfScopeInformation">
    <xs:sequence>
      <xs:element minOccurs="0" maxOccurs="unbounded" name="ScopeInformation" nillable="true"
type="q2:ScopeInformation"/>
    </xs:sequence>
  </xs:complexType>
  <xs:element name="ArrayOfScopeInformation" nillable="true"
type="q2:ArrayOfScopeInformation"/>
  <xs:complexType name="ScopeInformation">
    <xs:sequence>
      <xs:element minOccurs="0" name="Description" nillable="true" type="xs:string"/>
      <xs:element minOccurs="0" name="Filter" nillable="true" type="xs:string"/>
      <xs:element minOccurs="0" name="ID" type="xs:int"/>
      <xs:element minOccurs="0" name="Name" nillable="true" type="xs:string"/>
      <xs:element
xmlns:q1="http://schemas.datacontract.org/2004/07/Microsoft.Office.Server.Search.Administrati
on" minOccurs="0" name="State" type="q1:ScopeCompilationState"/>
    </xs:sequence>
  </xs:complexType>
  <xs:element name="ScopeInformation" nillable="true" type="q2:ScopeInformation"/>
  <xs:complexType name="HighlightedString">
    <xs:sequence>
      <xs:element minOccurs="0" name="HighlightCount" type="xs:int"/>
      <xs:element minOccurs="0" name="Value" nillable="true" type="xs:string"/>
    </xs:sequence>
  </xs:complexType>
  <xs:element name="HighlightedString" nillable="true" type="q2:HighlightedString"/>
  <xs:complexType name="QueryInfo">
    <xs:sequence>
      <xs:element minOccurs="0" name="AdvancedSearch" type="xs:boolean"/>
      <xs:element minOccurs="0" name="BestBetClicked" nillable="true" type="xs:string"/>
      <xs:element minOccurs="0" name="ClickTime" type="xs:dateTime"/>
      <xs:element minOccurs="0" name="ClickedUrl" nillable="true" type="xs:string"/>
      <xs:element minOccurs="0" name="ClickedUrlRank" type="xs:int"/>
      <xs:element
xmlns:tns5="http://schemas.datacontract.org/2004/07/Microsoft.Office.Server.Search.Query"
minOccurs="0" name="ClientType" type="tns5:QueryLogClientType"/>
      <xs:element minOccurs="0" name="ContextualScope" nillable="true" type="xs:string"/>
      <xs:element minOccurs="0" name="ContextualScopeUrl" nillable="true" type="xs:string"/>
      <xs:element minOccurs="0" name="ContinuedSession" type="xs:boolean"/>
      <xs:element minOccurs="0" name="Definitions" type="xs:boolean"/>
      <xs:element minOccurs="0" name="DidYouMean" nillable="true" type="xs:string"/>
      <xs:element minOccurs="0" name="DidYouMeanReturned" type="xs:boolean"/>
      <xs:element minOccurs="0" name="ItemsPerPage" type="xs:int"/>
      <xs:element minOccurs="0" name="Location" nillable="true" type="xs:string"/>
      <xs:element
xmlns:tns5="http://schemas.datacontract.org/2004/07/Microsoft.Office.Server.Search.Query"
minOccurs="0" name="LogType" type="tns5:QueryLogType"/>
      <xs:element xmlns:q3="http://schemas.microsoft.com/2003/10/Serialization/Arrays"
minOccurs="0" name="NonClickedUrls" nillable="true" type="q3:ArrayOfstring"/>

```

```

<xs:element minOccurs="0" name="NumBestBets" type="xs:int"/>
<xs:element minOccurs="0" name="NumHighConfidenceResults" type="xs:int"/>
<xs:element minOccurs="0" name="NumResults" type="xs:long"/>
<xs:element minOccurs="0" name="QueryCulture" nillable="true" type="xs:string"/>
<xs:element minOccurs="0" name="QueryGuid" nillable="true" type="xs:string"/>
<xs:element minOccurs="0" name="QueryServer" nillable="true" type="xs:string"/>
<xs:element minOccurs="0" name="QueryString" nillable="true" type="xs:string"/>
<xs:element minOccurs="0" name="ReferrerUrl" nillable="true" type="xs:string"/>
<xs:element minOccurs="0" name="ResultView" type="xs:short"/>
<xs:element minOccurs="0" name="ResultsUrl" nillable="true" type="xs:string"/>
<xs:element xmlns:q3="http://schemas.microsoft.com/2003/10/Serialization/Arrays"
minOccurs="0" name="Scopes" nillable="true" type="q3:ArrayOfstring"/>
  <xs:element minOccurs="0" name="SearchServiceApplicationID" nillable="true"
type="xs:string"/>
  <xs:element minOccurs="0" name="SearchTime" type="xs:dateTime"/>
  <xs:element minOccurs="0" name="SessionId" nillable="true" type="xs:string"/>
  <xs:element minOccurs="0" name="SiteGuid" nillable="true" type="xs:string"/>
  <xs:element minOccurs="0" name="StartItem" type="xs:int"/>
  <xs:element minOccurs="0" name="TenantId" type="ser:guid"/>
  <xs:element minOccurs="0" name="Title" nillable="true" type="xs:string"/>
  <xs:element minOccurs="0" name="TotalResults" type="xs:long"/>
  <xs:element minOccurs="0" name="UserName" nillable="true" type="xs:string"/>
</xs:sequence>
</xs:complexType>
<xs:element name="QueryInfo" nillable="true" type="q2:QueryInfo"/>
<xs:complexType name="SearchServiceApplicationInfo">
  <xs:sequence>
    <xs:element minOccurs="0" name="AlertsEnabled" type="xs:boolean"/>
    <xs:element
xmlns:tns5="http://schemas.datacontract.org/2004/07/Microsoft.Office.Server.Search.Query"
minOccurs="0" name="DefaultSearchProvider" type="tns5:SearchProvider"/>
    <xs:element minOccurs="0" name="PersonalQuerySuggestionsEnabled" type="xs:boolean"/>
    <xs:element xmlns:q3="http://schemas.microsoft.com/2003/10/Serialization/Arrays"
minOccurs="0" name="PropertyBag" nillable="true" type="q3:ArrayOfKeyValueOfstringstring"/>
    <xs:element minOccurs="0" name="QueryLoggingDailyLimit" type="xs:int"/>
    <xs:element minOccurs="0" name="QueryLoggingEnabled" type="xs:boolean"/>
    <xs:element minOccurs="0" name="QuerySuggestionsEnabled" type="xs:boolean"/>
    <xs:element minOccurs="0" name="SearchCenterUrl" nillable="true" type="xs:string"/>
    <xs:element minOccurs="0" name="SearchServiceApplicationId" type="ser:guid"/>
    <xs:element minOccurs="0" name="SharedSearchBoxSettings" nillable="true"
type="xs:string"/>
    <xs:element minOccurs="0" name="DefaultQueryTimeout" type="xs:int"/>
    <xs:element minOccurs="0" name="DiscoveryMaxKeywordQueryTextLength" type="xs:int"/>
    <xs:element minOccurs="0" name="DiscoveryMaxRowLimit" type="xs:int"/>
    <xs:element minOccurs="0" name="InstallLanguageLCID" type="xs:int"/>
    <xs:element xmlns:q3="http://schemas.microsoft.com/2003/10/Serialization/Arrays"
minOccurs="0" name="InstalledLanguages" nillable="true" type="q3:ArrayOfint"/>
    <xs:element minOccurs="0" name="MaxKeywordQueryTextLength" type="xs:int"/>
    <xs:element minOccurs="0" name="MaxQueryTimeout" type="xs:int"/>
    <xs:element minOccurs="0" name="MaxRowLimit" type="xs:int"/>
    <xs:element minOccurs="0" name="MinimumPartialQueryTimeout" type="xs:int"/>
    <xs:element minOccurs="0" name="SPHomeMaxQueryTextLength" type="xs:int"/>
    <xs:element minOccurs="0" name="UseSimpleSchemaUI" type="xs:boolean"/>
  </xs:sequence>
</xs:complexType>
<xs:element name="SearchServiceApplicationInfo" nillable="true"
type="q2:SearchServiceApplicationInfo"/>
<xs:complexType name="UIQueryLatencyDataBuffer">
  <xs:complexContent mixed="false">
    <xs:extension
base="q2:QueryDataBufferBaseOfAggregatedUIQueryLatencyDataBufferVerboseUIQueryLatencyDataBuff
erYrv50AqE">
      <xs:sequence/>
    </xs:extension>
  </xs:complexContent>
</xs:complexType>
<xs:element name="UIQueryLatencyDataBuffer" nillable="true"
type="q2:UIQueryLatencyDataBuffer"/>

```

```

<xs:complexType
name="QueryDataBufferBaseOfAggregatedUIQueryLatencyDataBufferVerboseUIQueryLatencyDataBufferY
rv50AqE">
  <xs:complexContent mixed="false">
    <xs:extension base="q2:DataBuffer">
      <xs:sequence>
        <xs:element minOccurs="0" name="AggregatedQueryTimings" nillable="true"
type="q2:ArrayOfAggregatedUIQueryLatencyDataBuffer"/>
        <xs:element minOccurs="0" name="VerboseQueryTimings" nillable="true"
type="q2:ArrayOfVerboseUIQueryLatencyDataBuffer"/>
        <xs:element xmlns:q3="http://schemas.microsoft.com/2003/10/Serialization/Arrays"
minOccurs="0" name="m_AggregatedQueryTimings" nillable="true"
type="q3:ArrayOfKeyValueOfstringAggregatedUIQueryLatencyDataBuffer_PFsic3Az"/>
        <xs:element xmlns:q3="http://schemas.microsoft.com/2003/10/Serialization/Arrays"
minOccurs="0" name="m_VerboseQueryTimings" nillable="true"
type="q3:ArrayOfKeyValueOfstringVerboseUIQueryLatencyDataBuffer_PFsic3Az"/>
      </xs:sequence>
    </xs:extension>
  </xs:complexContent>
</xs:complexType>
<xs:element
name="QueryDataBufferBaseOfAggregatedUIQueryLatencyDataBufferVerboseUIQueryLatencyDataBufferY
rv50AqE" nillable="true"
type="q2:QueryDataBufferBaseOfAggregatedUIQueryLatencyDataBufferVerboseUIQueryLatencyDataBuff
erYrv50AqE"/>
  <xs:complexType name="DataBuffer">
    <xs:sequence>
      <xs:element minOccurs="0" name="ApplicationId" type="ser:guid"/>
      <xs:element minOccurs="0" name="EventTime" type="xs:dateTime"/>
      <xs:element minOccurs="0" name="MachineName" nillable="true" type="xs:string"/>
    </xs:sequence>
  </xs:complexType>
  <xs:element name="DataBuffer" nillable="true" type="q2:DataBuffer"/>
  <xs:complexType name="ArrayOfAggregatedUIQueryLatencyDataBuffer">
    <xs:sequence>
      <xs:element minOccurs="0" maxOccurs="unbounded"
name="AggregatedUIQueryLatencyDataBuffer" nillable="true"
type="q2:AggregatedUIQueryLatencyDataBuffer"/>
    </xs:sequence>
  </xs:complexType>
  <xs:element name="ArrayOfAggregatedUIQueryLatencyDataBuffer" nillable="true"
type="q2:ArrayOfAggregatedUIQueryLatencyDataBuffer"/>
  <xs:complexType name="AggregatedUIQueryLatencyDataBuffer">
    <xs:complexContent mixed="false">
      <xs:extension base="q2:DataBuffer">
        <xs:sequence>
          <xs:element minOccurs="0" name="ApplicationType" nillable="true" type="xs:string"/>
          <xs:element minOccurs="0" name="CustomTags" nillable="true" type="xs:string"/>
          <xs:element minOccurs="0" name="ExclusiveWebpartTimeMs" type="xs:int"/>
          <xs:element minOccurs="0" name="ImsFlow" nillable="true" type="xs:string"/>
          <xs:element minOccurs="0" name="InclusiveWebpartTimeMs" type="xs:int"/>
          <xs:element minOccurs="0" name="NumQueries" type="xs:int"/>
          <xs:element minOccurs="0" name="ResultPageUrl" nillable="true" type="xs:string"/>
          <xs:element minOccurs="0" name="TenantId" nillable="true" type="xs:string"/>
          <xs:element minOccurs="0" name="TotalQueryTimeMs" type="xs:int"/>
        </xs:sequence>
      </xs:extension>
    </xs:complexContent>
  </xs:complexType>
  <xs:element name="AggregatedUIQueryLatencyDataBuffer" nillable="true"
type="q2:AggregatedUIQueryLatencyDataBuffer"/>
  <xs:complexType name="ArrayOfVerboseUIQueryLatencyDataBuffer">
    <xs:sequence>
      <xs:element minOccurs="0" maxOccurs="unbounded" name="VerboseUIQueryLatencyDataBuffer"
nillable="true" type="q2:VerboseUIQueryLatencyDataBuffer"/>
    </xs:sequence>
  </xs:complexType>
  <xs:element name="ArrayOfVerboseUIQueryLatencyDataBuffer" nillable="true"
type="q2:ArrayOfVerboseUIQueryLatencyDataBuffer"/>

```

```

<xs:complexType name="VerboseUIQueryLatencyDataBuffer">
  <xs:complexContent mixed="false">
    <xs:extension base="q2:DataBuffer">
      <xs:sequence>
        <xs:element minOccurs="0" name="CorrelationId" type="ser:guid"/>
        <xs:element minOccurs="0" name="ExclusiveWebpartTimeMs" type="xs:int"/>
        <xs:element minOccurs="0" name="InclusiveWebpartTimeMs" type="xs:int"/>
        <xs:element minOccurs="0" name="QueryTerms" nillable="true" type="xs:string"/>
        <xs:element minOccurs="0" name="TotalQueryTimeMs" type="xs:int"/>
        <xs:element minOccurs="0" name="Url" nillable="true" type="xs:string"/>
      </xs:sequence>
    </xs:extension>
  </xs:complexContent>
</xs:complexType>
<xs:element name="VerboseUIQueryLatencyDataBuffer" nillable="true"
type="q2:VerboseUIQueryLatencyDataBuffer"/>
<xs:complexType name="WebPartQueryLatencyDataBuffer">
  <xs:complexContent mixed="false">
    <xs:extension base="q2:DataBuffer">
      <xs:sequence>
        <xs:element minOccurs="0" name="VerboseQueryTimings" nillable="true"
type="q2:ArrayOfVerboseWebPartQueryLatencyDataBuffer"/>
      </xs:sequence>
    </xs:extension>
  </xs:complexContent>
</xs:complexType>
<xs:element name="WebPartQueryLatencyDataBuffer" nillable="true"
type="q2:WebPartQueryLatencyDataBuffer"/>
<xs:complexType name="ArrayOfVerboseWebPartQueryLatencyDataBuffer">
  <xs:sequence>
    <xs:element minOccurs="0" maxOccurs="unbounded"
name="VerboseWebPartQueryLatencyDataBuffer" nillable="true"
type="q2:VerboseWebPartQueryLatencyDataBuffer"/>
  </xs:sequence>
</xs:complexType>
<xs:element name="ArrayOfVerboseWebPartQueryLatencyDataBuffer" nillable="true"
type="q2:ArrayOfVerboseWebPartQueryLatencyDataBuffer"/>
<xs:complexType name="VerboseWebPartQueryLatencyDataBuffer">
  <xs:complexContent mixed="false">
    <xs:extension base="q2:DataBuffer">
      <xs:sequence>
        <xs:element minOccurs="0" name="CorrelationId" type="ser:guid"/>
        <xs:element minOccurs="0" name="ExclusiveWebpartTimeMs" type="xs:int"/>
        <xs:element minOccurs="0" name="InclusiveWebpartTimeMs" type="xs:int"/>
        <xs:element minOccurs="0" name="WebPartId" type="ser:guid"/>
        <xs:element minOccurs="0" name="WebPartTitle" nillable="true" type="xs:string"/>
      </xs:sequence>
    </xs:extension>
  </xs:complexContent>
</xs:complexType>
<xs:element name="VerboseWebPartQueryLatencyDataBuffer" nillable="true"
type="q2:VerboseWebPartQueryLatencyDataBuffer"/>
<xs:complexType name="OMQueryLatencyDataBuffer">
  <xs:complexContent mixed="false">
    <xs:extension
base="q2:QueryDataBufferBaseOfAggregatedOMQueryLatencyDataBufferVerboseOMQueryLatencyDataBuff
erYrv50AqE">
      <xs:sequence>
        <xs:element xmlns:q3="http://schemas.microsoft.com/2003/10/Serialization/Arrays"
minOccurs="0" name="bucketedQueryTimings" nillable="true"
type="q3:ArrayOfKeyValueOfstringArrayOfKeyValueOfintAggregatedOMQueryLatencyDataBuffer_PFSic3
Azty7Ep6D1"/>
      </xs:sequence>
    </xs:extension>
  </xs:complexContent>
</xs:complexType>
<xs:element name="OMQueryLatencyDataBuffer" nillable="true"
type="q2:OMQueryLatencyDataBuffer"/>

```

```

<xs:complexType
name="QueryDataBufferBaseOfAggregatedOMQueryLatencyDataBufferVerboseOMQueryLatencyDataBufferY
rv50AqE">
  <xs:complexContent mixed="false">
    <xs:extension base="q2:DataBuffer">
      <xs:sequence>
        <xs:element minOccurs="0" name="AggregatedQueryTimings" nillable="true"
type="q2:ArrayOfAggregatedOMQueryLatencyDataBuffer"/>
        <xs:element minOccurs="0" name="VerboseQueryTimings" nillable="true"
type="q2:ArrayOfVerboseOMQueryLatencyDataBuffer"/>
        <xs:element xmlns:q3="http://schemas.microsoft.com/2003/10/Serialization/Arrays"
minOccurs="0" name="m_AggregatedQueryTimings" nillable="true"
type="q3:ArrayOfKeyValueOfstringAggregatedOMQueryLatencyDataBuffer_PFsic3Az"/>
        <xs:element xmlns:q3="http://schemas.microsoft.com/2003/10/Serialization/Arrays"
minOccurs="0" name="m_VerboseQueryTimings" nillable="true"
type="q3:ArrayOfKeyValueOfstringVerboseOMQueryLatencyDataBuffer_PFsic3Az"/>
      </xs:sequence>
    </xs:extension>
  </xs:complexContent>
</xs:complexType>
<xs:element
name="QueryDataBufferBaseOfAggregatedOMQueryLatencyDataBufferVerboseOMQueryLatencyDataBufferY
rv50AqE" nillable="true"
type="q2:QueryDataBufferBaseOfAggregatedOMQueryLatencyDataBufferVerboseOMQueryLatencyDataBuff
erYrv50AqE"/>
  <xs:complexType name="ArrayOfAggregatedOMQueryLatencyDataBuffer">
    <xs:sequence>
      <xs:element minOccurs="0" maxOccurs="unbounded"
name="AggregatedOMQueryLatencyDataBuffer" nillable="true"
type="q2:AggregatedOMQueryLatencyDataBuffer"/>
    </xs:sequence>
  </xs:complexType>
  <xs:element name="ArrayOfAggregatedOMQueryLatencyDataBuffer" nillable="true"
type="q2:ArrayOfAggregatedOMQueryLatencyDataBuffer"/>
  <xs:complexType name="AggregatedOMQueryLatencyDataBuffer">
    <xs:complexContent mixed="false">
      <xs:extension base="q2:DataBuffer">
        <xs:sequence>
          <xs:element minOccurs="0" name="ApplicationType" nillable="true" type="xs:string"/>
          <xs:element minOccurs="0" name="Constellation" nillable="true" type="xs:string"/>
          <xs:element minOccurs="0" name="CustomTags" nillable="true" type="xs:string"/>
          <xs:element minOccurs="0" name="IMSProxyTimeMs" type="xs:int"/>
          <xs:element minOccurs="0" name="ImsFlow" nillable="true" type="xs:string"/>
          <xs:element minOccurs="0" name="NumQueries" type="xs:int"/>
          <xs:element minOccurs="0" name="QPTimeMs" type="xs:int"/>
          <xs:element minOccurs="0" name="ResultPageUrl" nillable="true" type="xs:string"/>
          <xs:element minOccurs="0" name="TenantId" nillable="true" type="xs:string"/>
          <xs:element minOccurs="0" name="TotalQueryTimeMs" type="xs:int"/>
        </xs:sequence>
      </xs:extension>
    </xs:complexContent>
  </xs:complexType>
  <xs:element name="AggregatedOMQueryLatencyDataBuffer" nillable="true"
type="q2:AggregatedOMQueryLatencyDataBuffer"/>
  <xs:complexType name="ArrayOfVerboseOMQueryLatencyDataBuffer">
    <xs:sequence>
      <xs:element minOccurs="0" maxOccurs="unbounded" name="VerboseOMQueryLatencyDataBuffer"
nillable="true" type="q2:VerboseOMQueryLatencyDataBuffer"/>
    </xs:sequence>
  </xs:complexType>
  <xs:element name="ArrayOfVerboseOMQueryLatencyDataBuffer" nillable="true"
type="q2:ArrayOfVerboseOMQueryLatencyDataBuffer"/>
  <xs:complexType name="VerboseOMQueryLatencyDataBuffer">
    <xs:complexContent mixed="false">
      <xs:extension base="q2:DataBuffer">
        <xs:sequence>
          <xs:element minOccurs="0" name="Constellation" nillable="true" type="xs:string"/>
          <xs:element minOccurs="0" name="CorrelationId" type="ser:guid"/>
          <xs:element minOccurs="0" name="IMSProxyTimeMs" type="xs:int"/>
        </xs:sequence>
      </xs:extension>
    </xs:complexContent>
  </xs:complexType>

```



```

        <xs:element minOccurs="0" name="NumHitsRequested" type="xs:int"/>
        <xs:element minOccurs="0" name="QPMachine" nillable="true" type="xs:string"/>
        <xs:element minOccurs="0" name="QPTimeMs" type="xs:int"/>
        <xs:element minOccurs="0" name="QueryTerms" nillable="true" type="xs:string"/>
        <xs:element minOccurs="0" name="TotalQueryTimeMs" type="xs:int"/>
    </xs:sequence>
</xs:extension>
</xs:complexContent>
</xs:complexType>
<xs:element name="VerboseOMQueryLatencyDataBuffer" nillable="true"
type="q2:VerboseOMQueryLatencyDataBuffer"/>
<xs:complexType name="QueryErrorDataBuffer">
    <xs:complexContent mixed="false">
        <xs:extension base="q2:DataBuffer">
            <xs:sequence>
                <xs:element minOccurs="0" name="VerboseQueryTimings" nillable="true"
type="q2:ArrayOfVerboseQueryErrorDataBuffer"/>
            </xs:sequence>
        </xs:extension>
    </xs:complexContent>
</xs:complexType>
<xs:element name="QueryErrorDataBuffer" nillable="true" type="q2:QueryErrorDataBuffer"/>
<xs:complexType name="ArrayOfVerboseQueryErrorDataBuffer">
    <xs:sequence>
        <xs:element minOccurs="0" maxOccurs="unbounded" name="VerboseQueryErrorDataBuffer"
nillable="true" type="q2:VerboseQueryErrorDataBuffer"/>
    </xs:sequence>
</xs:complexType>
<xs:element name="ArrayOfVerboseQueryErrorDataBuffer" nillable="true"
type="q2:ArrayOfVerboseQueryErrorDataBuffer"/>
<xs:complexType name="VerboseQueryErrorDataBuffer">
    <xs:complexContent mixed="false">
        <xs:extension base="q2:DataBuffer">
            <xs:sequence>
                <xs:element minOccurs="0" name="CorrelationId" type="ser:guid"/>
                <xs:element minOccurs="0" name="Exception" nillable="true" type="xs:string"/>
                <xs:element minOccurs="0" name="Operation" nillable="true" type="xs:string"/>
            </xs:sequence>
        </xs:extension>
    </xs:complexContent>
</xs:complexType>
<xs:element name="VerboseQueryErrorDataBuffer" nillable="true"
type="q2:VerboseQueryErrorDataBuffer"/>
<xs:complexType name="QuerySuggestionResults">
    <xs:sequence>
        <xs:element xmlns:q3="http://schemas.microsoft.com/2003/10/Serialization/Arrays"
minOccurs="0" name="PeopleNames" nillable="true" type="q3:ArrayOfstring"/>
        <xs:element minOccurs="0" name="PersonalResults" nillable="true"
type="q2:ArrayOfPersonalResultSuggestion"/>
        <xs:element minOccurs="0" name="Queries" nillable="true"
type="q2:ArrayOfQuerySuggestionQuery"/>
    </xs:sequence>
</xs:complexType>
<xs:element name="QuerySuggestionResults" nillable="true"
type="q2:QuerySuggestionResults"/>
<xs:complexType name="ArrayOfPersonalResultSuggestion">
    <xs:sequence>
        <xs:element minOccurs="0" maxOccurs="unbounded" name="PersonalResultSuggestion"
nillable="true" type="q2:PersonalResultSuggestion"/>
    </xs:sequence>
</xs:complexType>
<xs:element name="ArrayOfPersonalResultSuggestion" nillable="true"
type="q2:ArrayOfPersonalResultSuggestion"/>
<xs:complexType name="PersonalResultSuggestion">
    <xs:sequence>
        <xs:element minOccurs="0" name="HighlightedTitle" nillable="true" type="xs:string"/>
        <xs:element minOccurs="0" name="IsBestBet" type="xs:boolean"/>
        <xs:element minOccurs="0" name="Title" nillable="true" type="xs:string"/>
        <xs:element minOccurs="0" name="Url" nillable="true" type="xs:string"/>
    </xs:sequence>
</xs:complexType>

```

```

    </xs:sequence>
  </xs:complexType>
  <xs:element name="PersonalResultSuggestion" nillable="true"
type="q2:PersonalResultSuggestion"/>
  <xs:complexType name="ArrayOfQuerySuggestionQuery">
    <xs:sequence>
      <xs:element minOccurs="0" maxOccurs="unbounded" name="QuerySuggestionQuery"
nillable="true" type="q2:QuerySuggestionQuery"/>
    </xs:sequence>
  </xs:complexType>
  <xs:element name="ArrayOfQuerySuggestionQuery" nillable="true"
type="q2:ArrayOfQuerySuggestionQuery"/>
  <xs:complexType name="QuerySuggestionQuery">
    <xs:sequence>
      <xs:element minOccurs="0" name="IsPersonal" type="xs:boolean"/>
      <xs:element minOccurs="0" name="Query" nillable="true" type="xs:string"/>
    </xs:sequence>
  </xs:complexType>
  <xs:element name="QuerySuggestionQuery" nillable="true" type="q2:QuerySuggestionQuery"/>
  <xs:complexType name="QueryAutoCompletionResults">
    <xs:sequence>
      <xs:element minOccurs="0" name="CoreExecutionTimeMs" type="xs:long"/>
      <xs:element minOccurs="0" name="CorrelationId" nillable="true" type="xs:string"/>
      <xs:element minOccurs="0" name="Queries" nillable="true"
type="q2:ArrayOfQueryAutoCompletion"/>
    </xs:sequence>
  </xs:complexType>
  <xs:element name="QueryAutoCompletionResults" nillable="true"
type="q2:QueryAutoCompletionResults"/>
  <xs:complexType name="ArrayOfQueryAutoCompletion">
    <xs:sequence>
      <xs:element minOccurs="0" maxOccurs="unbounded" name="QueryAutoCompletion"
nillable="true" type="q2:QueryAutoCompletion"/>
    </xs:sequence>
  </xs:complexType>
  <xs:element name="ArrayOfQueryAutoCompletion" nillable="true"
type="q2:ArrayOfQueryAutoCompletion"/>
  <xs:complexType name="QueryAutoCompletion">
    <xs:sequence>
      <xs:element minOccurs="0" name="Matches" nillable="true"
type="q2:ArrayOfQueryAutoCompletionMatch"/>
      <xs:element minOccurs="0" name="Query" nillable="true" type="xs:string"/>
      <xs:element minOccurs="0" name="Score" type="xs:double"/>
      <xs:element minOccurs="0" name="Source" nillable="true" type="xs:string"/>
    </xs:sequence>
  </xs:complexType>
  <xs:element name="QueryAutoCompletion" nillable="true" type="q2:QueryAutoCompletion"/>
  <xs:complexType name="ArrayOfQueryAutoCompletionMatch">
    <xs:sequence>
      <xs:element minOccurs="0" maxOccurs="unbounded" name="QueryAutoCompletionMatch"
nillable="true" type="q2:QueryAutoCompletionMatch"/>
    </xs:sequence>
  </xs:complexType>
  <xs:element name="ArrayOfQueryAutoCompletionMatch" nillable="true"
type="q2:ArrayOfQueryAutoCompletionMatch"/>
  <xs:complexType name="QueryAutoCompletionMatch">
    <xs:sequence>
      <xs:element minOccurs="0" name="Alternation" type="xs:boolean"/>
      <xs:element minOccurs="0" name="Key" nillable="true" type="xs:string"/>
      <xs:element minOccurs="0" name="Length" type="xs:long"/>
      <xs:element minOccurs="0" name="MatchType" nillable="true" type="xs:string"/>
      <xs:element minOccurs="0" name="Score" type="xs:double"/>
      <xs:element minOccurs="0" name="SourceName" nillable="true" type="xs:string"/>
      <xs:element minOccurs="0" name="Start" type="xs:long"/>
      <xs:element minOccurs="0" name="Value" nillable="true" type="xs:string"/>
    </xs:sequence>
  </xs:complexType>
  <xs:element name="QueryAutoCompletionMatch" nillable="true"
type="q2:QueryAutoCompletionMatch"/>

```

</xs:schema>

7.5 <http://schemas.datacontract.org/2004/07/Microsoft.Office.Server.Search.Query> Schema

```
<?xml version="1.0" encoding="UTF-8"?>
<xs:schema
xmlns:tns5="http://schemas.datacontract.org/2004/07/Microsoft.Office.Server.Search.Query"
xmlns:ser="http://schemas.microsoft.com/2003/10/Serialization/"
elementFormDefault="qualified"
targetNamespace="http://schemas.datacontract.org/2004/07/Microsoft.Office.Server.Search.Query"
xmlns:xs="http://www.w3.org/2001/XMLSchema">
  <xs:import namespace="http://schemas.microsoft.com/2003/10/Serialization/" />
  <xs:simpleType name="AlertChangeType">
    <xs:restriction base="xs:string">
      <xs:enumeration value="Discovered"/>
      <xs:enumeration value="Modified"/>
      <xs:enumeration value="DiscoveredOrModified"/>
    </xs:restriction>
  </xs:simpleType>
  <xs:element name="AlertChangeType" nillable="true" type="tns5:AlertChangeType"/>
  <xs:simpleType name="QueryAuthenticationType">
    <xs:restriction base="xs:string">
      <xs:enumeration value="NtAuthenticatedQuery"/>
      <xs:enumeration value="PluggableAuthenticatedQuery"/>
    </xs:restriction>
  </xs:simpleType>
  <xs:element name="QueryAuthenticationType" nillable="true"
type="tns5:QueryAuthenticationType"/>
  <xs:simpleType name="QueryHint">
    <xs:list>
      <xs:simpleType>
        <xs:restriction base="xs:string">
          <xs:enumeration value="None"/>
          <xs:enumeration value="OptimizeWithFullTextIndex"/>
          <xs:enumeration value="OptimizeWithPropertyStore"/>
          <xs:enumeration value="PropertySelectWithInClause"/>
          <xs:enumeration value="PropertySelectWithTempTable"/>
          <xs:enumeration value="UseSqlFirstJoinStrategy"/>
          <xs:enumeration value="AvoidSqlOuterJoins"/>
        </xs:restriction>
      </xs:simpleType>
    </xs:list>
  </xs:simpleType>
  <xs:element name="QueryHint" nillable="true" type="tns5:QueryHint"/>
  <xs:simpleType name="KeywordInclusion">
    <xs:restriction base="xs:string">
      <xs:enumeration value="AllKeywords"/>
      <xs:enumeration value="AnyKeyword"/>
    </xs:restriction>
  </xs:simpleType>
  <xs:element name="KeywordInclusion" nillable="true" type="tns5:KeywordInclusion"/>
  <xs:complexType name="PagingCookie">
    <xs:sequence>
      <xs:any minOccurs="0" maxOccurs="unbounded" namespace="##local"
processContents="skip"/>
    </xs:sequence>
    <xs:attribute ref="ser:FactoryType"/>
  </xs:complexType>
  <xs:element name="PagingCookie" nillable="true" type="tns5:PagingCookie"/>
  <xs:simpleType name="ResultType">
    <xs:list>
      <xs:simpleType>
        <xs:restriction base="xs:string">
          <xs:enumeration value="None"/>
          <xs:enumeration value="RelevantResults"/>
          <xs:enumeration value="SpecialTermResults"/>
        </xs:restriction>
      </xs:simpleType>
    </xs:list>
  </xs:simpleType>

```

```

        <xs:enumeration value="HighConfidenceResults"/>
        <xs:enumeration value="DefinitionResults"/>
        <xs:enumeration value="VisualBestBetsResults"/>
        <xs:enumeration value="RefinementResults"/>
        <xs:enumeration value="Extended"/>
    </xs:restriction>
</xs:simpleType>
</xs:list>
</xs:simpleType>
<xs:element name="ResultType" nillable="true" type="tns5:ResultType"/>
<xs:simpleType name="SearchProvider">
    <xs:restriction base="xs:string">
        <xs:enumeration value="Default"/>
        <xs:enumeration value="SharepointSearch"/>
        <xs:enumeration value="FASTSearch"/>
    </xs:restriction>
</xs:simpleType>
<xs:element name="SearchProvider" nillable="true" type="tns5:SearchProvider"/>
<xs:simpleType name="ResubmitFlag">
    <xs:list>
        <xs:simpleType>
            <xs:restriction base="xs:string">
                <xs:enumeration value="NoResubmit"/>
                <xs:enumeration value="EnableSpellcheckOnResubmit"/>
                <xs:enumeration value="EnableSpellcheckSuggestOnResubmit"/>
                <xs:enumeration value="EnableStemmingOnResubmit"/>
                <xs:enumeration value="AddSynonymsAutomatically"/>
            </xs:restriction>
        </xs:simpleType>
    </xs:list>
</xs:simpleType>
<xs:element name="ResubmitFlag" nillable="true" type="tns5:ResubmitFlag"/>
<xs:simpleType name="SimilarType">
    <xs:restriction base="xs:string">
        <xs:enumeration value="None"/>
        <xs:enumeration value="Find"/>
        <xs:enumeration value="Refine"/>
        <xs:enumeration value="Exclude"/>
    </xs:restriction>
</xs:simpleType>
<xs:element name="SimilarType" nillable="true" type="tns5:SimilarType"/>
<xs:simpleType name="SpellcheckMode">
    <xs:restriction base="xs:string">
        <xs:enumeration value="Off"/>
        <xs:enumeration value="Suggest"/>
        <xs:enumeration value="On"/>
    </xs:restriction>
</xs:simpleType>
<xs:element name="SpellcheckMode" nillable="true" type="tns5:SpellcheckMode"/>
<xs:simpleType name="SortDirection">
    <xs:restriction base="xs:string">
        <xs:enumeration value="Ascending"/>
        <xs:enumeration value="Descending"/>
        <xs:enumeration value="FQLFormula"/>
    </xs:restriction>
</xs:simpleType>
<xs:element name="SortDirection" nillable="true" type="tns5:SortDirection"/>
<xs:complexType name="ArrayOfReorderingRule">
    <xs:sequence>
        <xs:element minOccurs="0" maxOccurs="unbounded" name="ReorderingRule" nillable="true"
type="tns5:ReorderingRule"/>
    </xs:sequence>
</xs:complexType>
<xs:element name="ArrayOfReorderingRule" nillable="true"
type="tns5:ArrayOfReorderingRule"/>
<xs:complexType name="ReorderingRule">
    <xs:sequence>
        <xs:element minOccurs="0" name="Boost" type="xs:int"/>
        <xs:element minOccurs="0" name="MatchType" type="tns5:ReorderingRuleMatchType"/>
    </xs:sequence>

```

```

    <xs:element minOccurs="0" name="MatchValue" nillable="true" type="xs:string"/>
  </xs:sequence>
</xs:complexType>
<xs:element name="ReorderingRule" nillable="true" type="tns5:ReorderingRule"/>
<xs:simpleType name="ReorderingRuleMatchType">
  <xs:restriction base="xs:string">
    <xs:enumeration value="ResultContainsKeyword"/>
    <xs:enumeration value="TitleContainsKeyword"/>
    <xs:enumeration value="TitleMatchesKeyword"/>
    <xs:enumeration value="UrlStartsWith"/>
    <xs:enumeration value="UrlExactlyMatches"/>
    <xs:enumeration value="ContentTypeIs"/>
    <xs:enumeration value="FileExtensionMatches"/>
    <xs:enumeration value="ResultHasTag"/>
    <xs:enumeration value="ManualCondition"/>
  </xs:restriction>
</xs:simpleType>
<xs:element name="ReorderingRuleMatchType" nillable="true"
type="tns5:ReorderingRuleMatchType"/>
<xs:simpleType name="QueryLogClientType">
  <xs:restriction base="xs:string">
    <xs:enumeration value="ObjectModel"/>
    <xs:enumeration value="WebService"/>
    <xs:enumeration value="UI"/>
    <xs:enumeration value="Custom"/>
    <xs:enumeration value="CSOM"/>
    <xs:enumeration value="RSS"/>
    <xs:enumeration value="Alerts"/>
    <xs:enumeration value="ObjectModelBackwardsCompatible"/>
    <xs:enumeration value="AllResultsQuery"/>
    <xs:enumeration value="PeopleResultsQuery"/>
    <xs:enumeration value="VideoResultsQuery"/>
    <xs:enumeration value="SiteResultsQuery_All"/>
    <xs:enumeration value="SiteResultsQuery_Docs"/>
    <xs:enumeration value="SiteResultsQuery_Sites"/>
    <xs:enumeration value="ContentSearchHigh"/>
    <xs:enumeration value="ContentSearchRegular"/>
    <xs:enumeration value="CatalogItemReuseQuery"/>
    <xs:enumeration value="ContentSearchLow"/>
    <xs:enumeration value="SearchWebPartConfiguration"/>
    <xs:enumeration value="DiscoverySearch"/>
    <xs:enumeration value="DiscoveryDownloadManager"/>
    <xs:enumeration value="DocsSharedWithMe"/>
    <xs:enumeration value="MyTaskSync"/>
    <xs:enumeration value="SEOSiteMapQuery"/>
    <xs:enumeration value="MySiteSecurityTrimmer"/>
    <xs:enumeration value="Monitoring"/>
    <xs:enumeration value="ReportsAndDataResultsQuery"/>
    <xs:enumeration value="InplaceListSearch"/>
    <xs:enumeration value="TrendingTagsQuery"/>
    <xs:enumeration value="QueryBoxSkyDrive"/>
    <xs:enumeration value="QueryBoxSearchLandingPage"/>
    <xs:enumeration value="SiteSearch"/>
    <xs:enumeration value="EnterpriseSearchCenter"/>
    <xs:enumeration value="BasicSearchCenter"/>
    <xs:enumeration value="SPHomeWeb"/>
    <xs:enumeration value="DelveAndroidMobile"/>
    <xs:enumeration value="DelveAppleMobile"/>
    <xs:enumeration value="DelveWeb"/>
    <xs:enumeration value="DelveWebTNarrow"/>
    <xs:enumeration value="DelveWindows"/>
    <xs:enumeration value="OneDriveWeb"/>
    <xs:enumeration value="Unknown"/>
  </xs:restriction>
</xs:simpleType>
<xs:element name="QueryLogClientType" nillable="true" type="tns5:QueryLogClientType"/>
<xs:simpleType name="QueryLogType">
  <xs:restriction base="xs:string">
    <xs:enumeration value="Click"/>

```

```

    <xs:enumeration value="Query"/>
  </xs:restriction>
</xs:simpleType>
<xs:element name="QueryLogType" nillable="true" type="tns5:QueryLogType"/>
<xs:complexType name="QueryLogPageClick">
  <xs:sequence>
    <xs:element minOccurs="0" name="BlockType" type="xs:unsignedByte"/>
    <xs:element minOccurs="0" name="ClickTime" type="xs:dateTime"/>
    <xs:element minOccurs="0" name="ClickType" type="tns5:QueryLogClickType"/>
    <xs:element minOccurs="0" name="PageImpressionId" type="xs:long"/>
    <xs:element minOccurs="0" name="PartitionBucket" type="xs:short"/>
    <xs:element minOccurs="0" name="ResultPosition" type="xs:int"/>
    <xs:element minOccurs="0" name="SubResultIndex" type="xs:unsignedByte"/>
  </xs:sequence>
</xs:complexType>
<xs:element name="QueryLogPageClick" nillable="true" type="tns5:QueryLogPageClick"/>
<xs:simpleType name="QueryLogClickType">
  <xs:restriction base="xs:string">
    <xs:enumeration value="Result"/>
    <xs:enumeration value="InsideBlock"/>
    <xs:enumeration value="More"/>
    <xs:enumeration value="DeepLink"/>
    <xs:enumeration value="Hover"/>
    <xs:enumeration value="HoverWithWAC"/>
    <xs:enumeration value="HoverSection"/>
    <xs:enumeration value="ActionFollow"/>
    <xs:enumeration value="ActionViewLibrary"/>
    <xs:enumeration value="ActionEdit"/>
    <xs:enumeration value="ActionSend"/>
    <xs:enumeration value="ActionViewDupes"/>
    <xs:enumeration value="OneDriveQueryBoxResult"/>
  </xs:restriction>
</xs:simpleType>
<xs:element name="QueryLogClickType" nillable="true" type="tns5:QueryLogClickType"/>
<xs:complexType name="QueryLogImmediacyInfo">
  <xs:sequence>
    <xs:element minOccurs="0" name="LCID" type="xs:int"/>
    <xs:element minOccurs="0" name="QueryString" nillable="true" type="xs:string"/>
    <xs:element minOccurs="0" name="SiteGuid" type="ser:guid"/>
    <xs:element minOccurs="0" name="SourceId" type="ser:guid"/>
    <xs:element minOccurs="0" name="TenantId" type="ser:guid"/>
    <xs:element minOccurs="0" name="Title" nillable="true" type="xs:string"/>
    <xs:element minOccurs="0" name="Url" nillable="true" type="xs:string"/>
    <xs:element minOccurs="0" name="UserName" nillable="true" type="xs:string"/>
    <xs:element minOccurs="0" name="WebGuid" type="ser:guid"/>
  </xs:sequence>
</xs:complexType>
<xs:element name="QueryLogImmediacyInfo" nillable="true"
type="tns5:QueryLogImmediacyInfo"/>
</xs:schema>

```

7.6 <http://schemas.datacontract.org/2004/07/Microsoft.SharePoint.Administration> Schema

```

<?xml version="1.0" encoding="UTF-8"?>
<xs:schema
xmlns:tns6="http://schemas.datacontract.org/2004/07/Microsoft.SharePoint.Administration"
elementFormDefault="qualified"
targetNamespace="http://schemas.datacontract.org/2004/07/Microsoft.SharePoint.Administration"
xmlns:xs="http://www.w3.org/2001/XMLSchema">
  <xs:simpleType name="SPUrlZone">
    <xs:restriction base="xs:string">
      <xs:enumeration value="Default"/>
      <xs:enumeration value="Intranet"/>
      <xs:enumeration value="Internet"/>
      <xs:enumeration value="Custom"/>
      <xs:enumeration value="Extranet"/>
    </xs:restriction>
  </xs:simpleType>

```

```

    </xs:restriction>
  </xs:simpleType>
  <xs:element name="SPUrlZone" nillable="true" type="tns6:SPUrlZone"/>
</xs:schema>

```

7.7 http://schemas.microsoft.com/2003/10/Serialization/Arrays Schema

```

<?xml version="1.0" encoding="UTF-8"?>
<xs:schema xmlns:q3="http://schemas.microsoft.com/2003/10/Serialization/Arrays"
  xmlns:ser="http://schemas.microsoft.com/2003/10/Serialization/"
  elementFormDefault="qualified"
  targetNamespace="http://schemas.microsoft.com/2003/10/Serialization/Arrays"
  xmlns:xs="http://www.w3.org/2001/XMLSchema">
  <xs:import
    namespace="http://schemas.datacontract.org/2004/07/Microsoft.Office.Server.Search.Administrat
    ion"/>
  <xs:import
    namespace="http://schemas.datacontract.org/2004/07/Microsoft.Office.Server.Search.Monitoring"
    />
  <xs:import
    namespace="http://schemas.datacontract.org/2004/07/Microsoft.Office.Server.Search.Query"/>
  <xs:import namespace="http://schemas.microsoft.com/2003/10/Serialization/" />
  <xs:import namespace="http://www.microsoft.com/sharepoint/search/KnownTypes/2008/08"/>
  <xs:complexType name="ArrayOfanyType">
    <xs:sequence>
      <xs:element minOccurs="0" maxOccurs="unbounded" name="anyType" nillable="true"
type="xs:anyType"/>
    </xs:sequence>
  </xs:complexType>
  <xs:element name="ArrayOfanyType" nillable="true" type="q3:ArrayOfanyType"/>
  <xs:complexType name="ArrayOfKeyValueOfstringanyType">
    <xs:sequence>
      <xs:element minOccurs="0" maxOccurs="unbounded" name="KeyValueOfstringanyType">
        <xs:complexType>
          <xs:sequence>
            <xs:element name="Key" nillable="true" type="xs:string"/>
            <xs:element name="Value" nillable="true" type="xs:anyType"/>
          </xs:sequence>
        </xs:complexType>
      </xs:element>
    </xs:sequence>
  </xs:complexType>
  <xs:element name="ArrayOfKeyValueOfstringanyType" nillable="true"
type="q3:ArrayOfKeyValueOfstringanyType"/>
  <xs:complexType name="ArrayOfstring">
    <xs:sequence>
      <xs:element minOccurs="0" maxOccurs="unbounded" name="string" nillable="true"
type="xs:string"/>
    </xs:sequence>
  </xs:complexType>
  <xs:element name="ArrayOfstring" nillable="true" type="q3:ArrayOfstring"/>
  <xs:complexType name="ArrayOfint">
    <xs:sequence>
      <xs:element minOccurs="0" maxOccurs="unbounded" name="int" type="xs:int"/>
    </xs:sequence>
  </xs:complexType>
  <xs:element name="ArrayOfint" nillable="true" type="q3:ArrayOfint"/>
  <xs:complexType name="ArrayOfKeyValueOfstringstring">
    <xs:sequence>
      <xs:element minOccurs="0" maxOccurs="unbounded" name="KeyValueOfstringstring">
        <xs:complexType>
          <xs:sequence>
            <xs:element name="Key" nillable="true" type="xs:string"/>
            <xs:element name="Value" nillable="true" type="xs:string"/>
          </xs:sequence>
        </xs:complexType>
      </xs:element>
    </xs:sequence>
  </xs:complexType>

```

```

    </xs:sequence>
  </xs:complexType>
  <xs:element name="ArrayOfKeyValueOfstringstring" nillable="true"
type="q3:ArrayOfKeyValueOfstringstring"/>
  <xs:complexType name="ArrayOfguid">
    <xs:sequence>
      <xs:element minOccurs="0" maxOccurs="unbounded" name="guid" type="ser:guid"/>
    </xs:sequence>
  </xs:complexType>
  <xs:element name="ArrayOfguid" nillable="true" type="q3:ArrayOfguid"/>
  <xs:complexType name="ArrayOfKeyValueOfstringArrayOfRefinementInterval_PFsic3Az">
    <xs:sequence>
      <xs:element minOccurs="0" maxOccurs="unbounded"
name="KeyValueOfstringArrayOfRefinementInterval_PFsic3Az">
        <xs:complexType>
          <xs:sequence>
            <xs:element name="Key" nillable="true" type="xs:string"/>
            <xs:element
xmlns:q2="http://www.microsoft.com/sharepoint/search/KnownTypes/2008/08" name="Value"
nillable="true" type="q2:ArrayOfRefinementInterval"/>
          </xs:sequence>
        </xs:complexType>
      </xs:element>
    </xs:sequence>
  </xs:complexType>
  <xs:element name="ArrayOfKeyValueOfstringArrayOfRefinementInterval_PFsic3Az"
nillable="true" type="q3:ArrayOfKeyValueOfstringArrayOfRefinementInterval_PFsic3Az"/>
  <xs:complexType name="ArrayOfKeyValueOfstringSearchServiceApplicationFaulty6h3NzC8">
    <xs:sequence>
      <xs:element minOccurs="0" maxOccurs="unbounded"
name="KeyValueOfstringSearchServiceApplicationFaulty6h3NzC8">
        <xs:complexType>
          <xs:sequence>
            <xs:element name="Key" nillable="true" type="xs:string"/>
            <xs:element
xmlns:q1="http://schemas.datacontract.org/2004/07/Microsoft.Office.Server.Search.Administrati
on" name="Value" nillable="true" type="q1:SearchServiceApplicationFault"/>
          </xs:sequence>
        </xs:complexType>
      </xs:element>
    </xs:sequence>
  </xs:complexType>
  <xs:element name="ArrayOfKeyValueOfstringSearchServiceApplicationFaulty6h3NzC8"
nillable="true" type="q3:ArrayOfKeyValueOfstringSearchServiceApplicationFaulty6h3NzC8"/>
  <xs:complexType name="ArrayOfKeyValueOfResultTypeResultTableUTLV0zE5">
    <xs:sequence>
      <xs:element minOccurs="0" maxOccurs="unbounded"
name="KeyValueOfResultTypeResultTableUTLV0zE5">
        <xs:complexType>
          <xs:sequence>
            <xs:element
xmlns:tns5="http://schemas.datacontract.org/2004/07/Microsoft.Office.Server.Search.Query"
name="Key" type="tns5:ResultType"/>
            <xs:element
xmlns:q2="http://www.microsoft.com/sharepoint/search/KnownTypes/2008/08" name="Value"
nillable="true" type="q2:ResultTable"/>
          </xs:sequence>
        </xs:complexType>
      </xs:element>
    </xs:sequence>
  </xs:complexType>
  <xs:element name="ArrayOfKeyValueOfResultTypeResultTableUTLV0zE5" nillable="true"
type="q3:ArrayOfKeyValueOfResultTypeResultTableUTLV0zE5"/>
  <xs:complexType name="ArrayOfKeyValueOfstringAggregatedUIQueryLatencyDataBuffer_PFsic3Az">
    <xs:sequence>
      <xs:element minOccurs="0" maxOccurs="unbounded"
name="KeyValueOfstringAggregatedUIQueryLatencyDataBuffer_PFsic3Az">
        <xs:complexType>
          <xs:sequence>

```



```

        <xs:element name="Key" nillable="true" type="xs:string"/>
      </xs:element>
    xmlns:q2="http://www.microsoft.com/sharepoint/search/KnownTypes/2008/08" name="Value"
    nillable="true" type="q2:AggregatedUIQueryLatencyDataBuffer"/>
  </xs:sequence>
</xs:complexType>
</xs:element>
</xs:sequence>
</xs:complexType>
<xs:element name="ArrayOfKeyValueOfstringAggregatedUIQueryLatencyDataBuffer_PFsic3Az"
nillable="true"
type="q3:ArrayOfKeyValueOfstringAggregatedUIQueryLatencyDataBuffer_PFsic3Az"/>
  <xs:complexType name="ArrayOfKeyValueOfstringVerboseUIQueryLatencyDataBuffer_PFsic3Az">
    <xs:sequence>
      <xs:element minOccurs="0" maxOccurs="unbounded"
name="KeyValueOfstringVerboseUIQueryLatencyDataBuffer_PFsic3Az">
        <xs:complexType>
          <xs:sequence>
            <xs:element name="Key" nillable="true" type="xs:string"/>
            <xs:element
xmlns:q2="http://www.microsoft.com/sharepoint/search/KnownTypes/2008/08" name="Value"
nillable="true" type="q2:VerboseUIQueryLatencyDataBuffer"/>
          </xs:sequence>
        </xs:complexType>
      </xs:element>
    </xs:sequence>
  </xs:complexType>
<xs:element name="ArrayOfKeyValueOfstringVerboseUIQueryLatencyDataBuffer_PFsic3Az"
nillable="true" type="q3:ArrayOfKeyValueOfstringVerboseUIQueryLatencyDataBuffer_PFsic3Az"/>
  <xs:complexType name="ArrayOfKeyValueOfstringAggregatedOMQueryLatencyDataBuffer_PFsic3Az">
    <xs:sequence>
      <xs:element minOccurs="0" maxOccurs="unbounded"
name="KeyValueOfstringAggregatedOMQueryLatencyDataBuffer_PFsic3Az">
        <xs:complexType>
          <xs:sequence>
            <xs:element name="Key" nillable="true" type="xs:string"/>
            <xs:element
xmlns:q2="http://www.microsoft.com/sharepoint/search/KnownTypes/2008/08" name="Value"
nillable="true" type="q2:AggregatedOMQueryLatencyDataBuffer"/>
          </xs:sequence>
        </xs:complexType>
      </xs:element>
    </xs:sequence>
  </xs:complexType>
<xs:element name="ArrayOfKeyValueOfstringAggregatedOMQueryLatencyDataBuffer_PFsic3Az"
nillable="true"
type="q3:ArrayOfKeyValueOfstringAggregatedOMQueryLatencyDataBuffer_PFsic3Az"/>
  <xs:complexType name="ArrayOfKeyValueOfstringVerboseOMQueryLatencyDataBuffer_PFsic3Az">
    <xs:sequence>
      <xs:element minOccurs="0" maxOccurs="unbounded"
name="KeyValueOfstringVerboseOMQueryLatencyDataBuffer_PFsic3Az">
        <xs:complexType>
          <xs:sequence>
            <xs:element name="Key" nillable="true" type="xs:string"/>
            <xs:element
xmlns:q2="http://www.microsoft.com/sharepoint/search/KnownTypes/2008/08" name="Value"
nillable="true" type="q2:VerboseOMQueryLatencyDataBuffer"/>
          </xs:sequence>
        </xs:complexType>
      </xs:element>
    </xs:sequence>
  </xs:complexType>
<xs:element name="ArrayOfKeyValueOfstringArrayofKeyValueofintAggregatedOMQueryLatencyDataBuffer_PFsic3Azty7Ep6D1">
  <xs:sequence>

```

```

    <xs:element minOccurs="0" maxOccurs="unbounded"
name="KeyValueOfstringArrayOfKeyValueOfintAggregatedOMQueryLatencyDataBuffer_PFsic3Azty7Ep6D1
">
    <xs:complexType>
    <xs:sequence>
    <xs:element name="Key" nillable="true" type="xs:string"/>
    <xs:element name="Value" nillable="true"
type="q3:ArrayOfKeyValueOfintAggregatedOMQueryLatencyDataBuffer_PFsic3Az"/>
    </xs:sequence>
    </xs:complexType>
    </xs:element>
    </xs:sequence>
    </xs:complexType>
    <xs:element
name="ArrayOfKeyValueOfstringArrayOfKeyValueOfintAggregatedOMQueryLatencyDataBuffer_PFsic3Azt
y7Ep6D1" nillable="true"
type="q3:ArrayOfKeyValueOfstringArrayOfKeyValueOfintAggregatedOMQueryLatencyDataBuffer PFsic3
Azty7Ep6D1"/>
    <xs:complexType name="ArrayOfKeyValueOfintAggregatedOMQueryLatencyDataBuffer PFsic3Az">
    <xs:sequence>
    <xs:element minOccurs="0" maxOccurs="unbounded"
name="KeyValueOfintAggregatedOMQueryLatencyDataBuffer_PFsic3Az">
    <xs:complexType>
    <xs:sequence>
    <xs:element name="Key" type="xs:int"/>
    <xs:element
xmlns:q2="http://www.microsoft.com/sharepoint/search/KnownTypes/2008/08" name="Value"
nillable="true" type="q2:AggregatedOMQueryLatencyDataBuffer"/>
    </xs:sequence>
    </xs:complexType>
    </xs:element>
    </xs:sequence>
    </xs:complexType>
    <xs:element name="ArrayOfKeyValueOfintAggregatedOMQueryLatencyDataBuffer PFsic3Az"
nillable="true" type="q3:ArrayOfKeyValueOfintAggregatedOMQueryLatencyDataBuffer_PFsic3Az"/>
    <xs:complexType name="ArrayOfanyURI">
    <xs:sequence>
    <xs:element minOccurs="0" maxOccurs="unbounded" name="anyURI" nillable="true"
type="xs:anyURI"/>
    </xs:sequence>
    </xs:complexType>
    <xs:element name="ArrayOfanyURI" nillable="true" type="q3:ArrayOfanyURI"/>
    <xs:complexType name="ArrayOfboolean">
    <xs:sequence>
    <xs:element minOccurs="0" maxOccurs="unbounded" name="boolean" type="xs:boolean"/>
    </xs:sequence>
    </xs:complexType>
    <xs:element name="ArrayOfboolean" nillable="true" type="q3:ArrayOfboolean"/>
    <xs:complexType name="ArrayOfKeyValueOfstringQueryHealthMonitoringSettingsvncQr8z">
    <xs:sequence>
    <xs:element minOccurs="0" maxOccurs="unbounded"
name="KeyValueOfstringQueryHealthMonitoringSettingsvncQr8z">
    <xs:complexType>
    <xs:sequence>
    <xs:element name="Key" nillable="true" type="xs:string"/>
    <xs:element
xmlns:tns4="http://schemas.datacontract.org/2004/07/Microsoft.Office.Server.Search.Monitoring
" name="Value" nillable="true" type="tns4:QueryHealthMonitoringSettings"/>
    </xs:sequence>
    </xs:complexType>
    </xs:element>
    </xs:sequence>
    </xs:complexType>
    <xs:element name="ArrayOfKeyValueOfstringQueryHealthMonitoringSettingsvncQr8z"
nillable="true" type="q3:ArrayOfKeyValueOfstringQueryHealthMonitoringSettingsvncQr8z"/>
</xs:schema>

```

7.8 http://schemas.microsoft.com/2003/10/Serialization/ Schema

```
<?xml version="1.0" encoding="UTF-8"?>
<xs:schema xmlns:ser="http://schemas.microsoft.com/2003/10/Serialization/"
attributeFormDefault="qualified" elementFormDefault="qualified"
targetNamespace="http://schemas.microsoft.com/2003/10/Serialization/"
xmlns:xs="http://www.w3.org/2001/XMLSchema">
  <xs:element name="anyType" nillable="true" type="xs:anyType"/>
  <xs:element name="anyURI" nillable="true" type="xs:anyURI"/>
  <xs:element name="base64Binary" nillable="true" type="xs:base64Binary"/>
  <xs:element name="boolean" nillable="true" type="xs:boolean"/>
  <xs:element name="byte" nillable="true" type="xs:byte"/>
  <xs:element name="dateTime" nillable="true" type="xs:dateTime"/>
  <xs:element name="decimal" nillable="true" type="xs:decimal"/>
  <xs:element name="double" nillable="true" type="xs:double"/>
  <xs:element name="float" nillable="true" type="xs:float"/>
  <xs:element name="int" nillable="true" type="xs:int"/>
  <xs:element name="long" nillable="true" type="xs:long"/>
  <xs:element name="QName" nillable="true" type="xs:QName"/>
  <xs:element name="short" nillable="true" type="xs:short"/>
  <xs:element name="string" nillable="true" type="xs:string"/>
  <xs:element name="unsignedByte" nillable="true" type="xs:unsignedByte"/>
  <xs:element name="unsignedInt" nillable="true" type="xs:unsignedInt"/>
  <xs:element name="unsignedLong" nillable="true" type="xs:unsignedLong"/>
  <xs:element name="unsignedShort" nillable="true" type="xs:unsignedShort"/>
  <xs:element name="char" nillable="true" type="ser:char"/>
  <xs:simpleType name="char">
    <xs:restriction base="xs:int"/>
  </xs:simpleType>
  <xs:element name="duration" nillable="true" type="ser:duration"/>
  <xs:simpleType name="duration">
    <xs:restriction base="xs:duration">
      <xs:pattern value="\-?P(\d*D)?(T(\d*H)?(\d*M)?(\d*(\.\d*)?S)?)?"/>
      <xs:minInclusive value="-P10675199DT2H48M5.4775808S"/>
      <xs:maxInclusive value="P10675199DT2H48M5.4775807S"/>
    </xs:restriction>
  </xs:simpleType>
  <xs:element name="guid" nillable="true" type="ser:guid"/>
  <xs:simpleType name="guid">
    <xs:restriction base="xs:string">
      <xs:pattern value="[\da-fA-F]{8}-[\da-fA-F]{4}-[\da-fA-F]{4}-[\da-fA-F]{4}-[\da-fA-F]{12}"/>
    </xs:restriction>
  </xs:simpleType>
  <xs:attribute name="FactoryType" type="xs:QName"/>
  <xs:attribute name="Id" type="xs:ID"/>
  <xs:attribute name="Ref" type="xs:IDREF"/>
</xs:schema>
```

7.9 http://schemas.datacontract.org/2004/07/System.Collections.Generic Schema

```
<?xml version="1.0" encoding="UTF-8"?>
<xs:schema xmlns:tns7="http://schemas.datacontract.org/2004/07/System.Collections.Generic"
elementFormDefault="qualified"
targetNamespace="http://schemas.datacontract.org/2004/07/System.Collections.Generic"
xmlns:xs="http://www.w3.org/2001/XMLSchema">
  <xs:import namespace="http://schemas.microsoft.com/2003/10/Serialization/" />
  <xs:import namespace="http://www.microsoft.com/sharepoint/search/KnownTypes/2008/08"/>
  <xs:complexType name="ArrayOfKeyValuePairOfstringResultTable PFsic3Az">
    <xs:sequence>
      <xs:element minOccurs="0" maxOccurs="unbounded"
name="KeyValuePairOfstringResultTable PFsic3Az"
type="tns7:KeyValuePairOfstringResultTable PFsic3Az"/>
    </xs:sequence>
  </xs:complexType>
  <xs:element name="ArrayOfKeyValuePairOfstringResultTable PFsic3Az" nillable="true"
type="tns7:ArrayOfKeyValuePairOfstringResultTable PFsic3Az"/>
</xs:schema>
```

```

<xs:complexType name="KeyValuePairOfStringResultTable PFsic3Az">
  <xs:sequence>
    <xs:element name="key" nillable="true" type="xs:string"/>
    <xs:element xmlns:q2="http://www.microsoft.com/sharepoint/search/KnownTypes/2008/08"
name="value" nillable="true" type="q2:ResultTable"/>
  </xs:sequence>
</xs:complexType>
<xs:element name="KeyValuePairOfStringResultTable_PFsic3Az" nillable="true"
type="tns7:KeyValuePairOfStringResultTable_PFsic3Az"/>
</xs:schema>

```

7.10 <http://schemas.datacontract.org/2004/07/System.Data> Schema

```

<?xml version="1.0" encoding="UTF-8"?>
<xs:schema elementFormDefault="qualified"
targetNamespace="http://schemas.datacontract.org/2004/07/System.Data"
xmlns:xs="http://www.w3.org/2001/XMLSchema">
  <xs:element name="DataTable" nillable="true">
    <xs:complexType>
      <xs:sequence>
        <xs:any minOccurs="0" maxOccurs="unbounded"
namespace="http://www.w3.org/2001/XMLSchema" processContents="lax"/>
        <xs:any minOccurs="1" namespace="urn:schemas-microsoft-com:xml-diffgram-v1"
processContents="lax"/>
      </xs:sequence>
    </xs:complexType>
  </xs:element>
</xs:schema>

```

7.11 <http://schemas.datacontract.org/2004/07/Microsoft.BusinessData.Infrastructure> SecureStore Schema

```

<?xml version="1.0" encoding="UTF-8"?>
<xs:schema
xmlns:tns1="http://schemas.datacontract.org/2004/07/Microsoft.BusinessData.Infrastructure.SecureStore" elementFormDefault="qualified"
targetNamespace="http://schemas.datacontract.org/2004/07/Microsoft.BusinessData.Infrastructure.SecureStore" xmlns:xs="http://www.w3.org/2001/XMLSchema">
  <xs:simpleType name="SecureStoreCredentialType">
    <xs:restriction base="xs:string">
      <xs:enumeration value="UserName"/>
      <xs:enumeration value="Password"/>
      <xs:enumeration value="Pin"/>
      <xs:enumeration value="Key"/>
      <xs:enumeration value="Generic"/>
      <xs:enumeration value="WindowsUserName"/>
      <xs:enumeration value="WindowsPassword"/>
      <xs:enumeration value="Certificate"/>
      <xs:enumeration value="CertificatePassword"/>
    </xs:restriction>
  </xs:simpleType>
  <xs:element name="SecureStoreCredentialType" nillable="true"
type="tns1:SecureStoreCredentialType"/>
</xs:schema>

```

7.12 <http://schemas.datacontract.org/2004/07/Microsoft.Ceres.CoreServices.Utilis.Azure> Schema

```

<?xml version="1.0" encoding="UTF-8"?>
<xs:schema
xmlns:tns2="http://schemas.datacontract.org/2004/07/Microsoft.Ceres.CoreServices.Utilis.Azure"
elementFormDefault="qualified"

```

```

targetNamespace="http://schemas.datacontract.org/2004/07/Microsoft.Ceres.CoreServices.Utils.A
zure" xmlns:xs="http://www.w3.org/2001/XMLSchema">
  <xs:complexType name="AzureApiConfiguration">
    <xs:sequence>
      <xs:element minOccurs="0" name="ContentFarmId" nillable="true" type="xs:string"/>
      <xs:element minOccurs="0" name="EchoFarmId" nillable="true" type="xs:string"/>
      <xs:element minOccurs="0" name="EndPointAddress" nillable="true" type="xs:string"/>
      <xs:element minOccurs="0" name="FarmId" nillable="true" type="xs:string"/>
      <xs:element minOccurs="0" name="FrontendServiceTenant" nillable="true"
type="xs:string"/>
      <xs:element minOccurs="0" name="Owner" nillable="true" type="xs:string"/>
      <xs:element minOccurs="0" name="ServiceTenant" nillable="true" type="xs:string"/>
      <xs:element minOccurs="0" name="TestId" nillable="true" type="xs:string"/>
    </xs:sequence>
  </xs:complexType>
  <xs:element name="AzureApiConfiguration" nillable="true"
type="tns2:AzureApiConfiguration"/>
</xs:schema>

```

7.13 http://schemas.datacontract.org/2004/07/Microsoft.Office.Security.Server Schema

```

<?xml version="1.0" encoding="UTF-8"?>
<xs:schema
xmlns:tns3="http://schemas.datacontract.org/2004/07/Microsoft.Office.Security.Server" elementFormDefault="qualified"
targetNamespace="http://schemas.datacontract.org/2004/07/Microsoft.Office.Security.Server" xmlns:xs="http://www.w3.org/2001/XMLSchema">
  <xs:import
namespace="http://schemas.datacontract.org/2004/07/Microsoft.BusinessData.Infrastructure.SecurityStore"/>
  <xs:complexType name="ArrayOfSerializableSecureStoreCredential">
    <xs:sequence>
      <xs:element minOccurs="0" maxOccurs="unbounded"
name="SerializableSecureStoreCredential" nillable="true"
type="tns3:SerializableSecureStoreCredential"/>
    </xs:sequence>
  </xs:complexType>
  <xs:element name="ArrayOfSerializableSecureStoreCredential" nillable="true"
type="tns3:ArrayOfSerializableSecureStoreCredential"/>
  <xs:complexType name="SerializableSecureStoreCredential">
    <xs:sequence>
      <xs:element name="credential" nillable="true" type="xs:base64Binary"/>
    </xs:sequence>
  </xs:complexType>
  <xs:element name="SerializableSecureStoreCredential" nillable="true"
type="tns3:SerializableSecureStoreCredential"/>
</xs:schema>

```

8 Appendix C: Product Behavior

The information in this specification is applicable to the following Microsoft products or supplemental software. References to product versions include updates to those products.

- Microsoft FAST Search Server 2010
- Microsoft SharePoint Server 2010
- Microsoft SharePoint Server 2013
- Microsoft SharePoint Server 2016
- Microsoft SharePoint Server 2019
- Microsoft SharePoint Server Subscription Edition Preview

Exceptions, if any, are noted in this section. If an update version, service pack or Knowledge Base (KB) number appears with a product name, the behavior changed in that update. The new behavior also applies to subsequent updates unless otherwise specified. If a product edition appears with the product version, behavior is different in that product edition.

Unless otherwise specified, any statement of optional behavior in this specification that is prescribed using the terms "SHOULD" or "SHOULD NOT" implies product behavior in accordance with the SHOULD or SHOULD NOT prescription. Unless otherwise specified, the term "MAY" implies that the product does not follow the prescription.

[<1> Section 2.2.4](#): This type is not available in SharePoint Server 2010.

[<2> Section 2.2.4](#): This type is not available in SharePoint Server 2010.

[<3> Section 2.2.4](#): This type is not available in SharePoint Server 2010.

[<4> Section 2.2.4](#): This type is not available in SharePoint Server 2010.

[<5> Section 2.2.4](#): This type is not available in SharePoint Server 2010.

[<6> Section 2.2.4](#): This type is not available in SharePoint Server 2010.

[<7> Section 2.2.4](#): This type is not available in SharePoint Server 2010.

[<8> Section 2.2.4.11](#): Applicable to protocol client running Microsoft SharePoint Server 2010 or Microsoft Search Server 2010.

[<9> Section 2.2.4.11](#): Applicable to protocol client running SharePoint Server 2013 in SharePoint Server 2010 **compatibility mode**.

[<10> Section 2.2.4.11](#): Applicable to protocol client running SharePoint Server 2013.

[<11> Section 2.2.4.11](#): This element is not supported by SharePoint Server 2010 and SharePoint Server 2013.

[<12> Section 2.2.4.12](#): This value is not used in SharePoint Server 2010.

[<13> Section 2.2.4.12](#): This value is not used in SharePoint Server 2010.

[<14> Section 2.2.4.12](#): This value is not used in SharePoint Server 2010.

[<15> Section 2.2.4.12](#): This value is not used in SharePoint Server 2010.

[<16> Section 2.2.4.12](#): This value is not used in SharePoint Server 2010.

- [<17> Section 2.2.4.12](#): This value is not used in SharePoint Server 2010.
- [<18> Section 2.2.4.13](#): This value is not used in SharePoint Server 2010.
- [<19> Section 2.2.4.13](#): This value is not used in SharePoint Server 2010.
- [<20> Section 2.2.4.13](#): This value is not used in SharePoint Server 2010.
- [<21> Section 2.2.4.13](#): This value is not used in SharePoint Server 2010.
- [<22> Section 2.2.4.13](#): This value is not used in SharePoint Server 2010.
- [<23> Section 2.2.4.14](#): This type is not available in SharePoint Server 2010.
- [<24> Section 2.2.4.15](#): This type is not available in SharePoint Server 2010.
- [<25> Section 2.2.4.16](#): This type is not available in SharePoint Server 2010.
- [<26> Section 2.2.4.17](#): This type is not available in SharePoint Server 2010.
- [<27> Section 2.2.4.18](#): This type is not available in SharePoint Server 2010.
- [<28> Section 2.2.4.19](#): This type is not available in SharePoint Server 2010.
- [<29> Section 2.2.4.20](#): This type is not available in SharePoint Server 2010.
- [<30> Section 2.2.4.23](#): This value is not used in SharePoint Server 2010.
- [<31> Section 2.2.4.24](#): This value is only used if the protocol client is running SharePoint Server 2010 or Search Server 2010.
- [<32> Section 2.2.4.24](#): This value is only used if the protocol client is running SharePoint Server 2010 or Search Server 2010.
- [<33> Section 2.2.4.24](#): This value is not used in SharePoint Server 2010.
- [<34> Section 2.2.4.24](#): This value is not used in SharePoint Server 2010.
- [<35> Section 2.2.4.25](#): This value is only used if the protocol client is running SharePoint Server 2010 or Search Server 2010.
- [<36> Section 2.2.4.25](#): This value is only used if the protocol client is running SharePoint Server 2010 or Search Server 2010.
- [<37> Section 2.2.4.25](#): This value is not used in SharePoint Server 2010.
- [<38> Section 2.2.4.25](#): This value is not used in SharePoint Server 2010.
- [<39> Section 2.2.4.28](#): This value is not used in SharePoint Server 2010.
- [<40> Section 2.2.4.28](#): This value is not used in SharePoint Server 2010.
- [<41> Section 2.2.4.36](#): This type is not available in SharePoint Server 2010.
- [<42> Section 2.2.5](#): This type is not available in SharePoint Server 2010.
- [<43> Section 2.2.5.1](#): This type is not available in SharePoint Server 2010.
- [<44> Section 3.1.1.2](#): This property exists only in Microsoft FAST Search Server 2010 for SharePoint and Microsoft FAST Search Server 2010 for SharePoint Internet Sites.
- [<45> Section 3.1.1.6](#): This behavior is not supported in SharePoint Server 2010.

- [<46> Section 3.1.4](#): This operation is not supported in SharePoint Server 2010.
- [<47> Section 3.1.4](#): This operation is not supported in SharePoint Server 2010.
- [<48> Section 3.1.4](#): This operation is not supported in SharePoint Server 2010.
- [<49> Section 3.1.4](#): This operation is not supported in SharePoint Server 2010.
- [<50> Section 3.1.4](#): This operation is only used when the protocol client is running SharePoint Server 2010 or Search Server 2010.
- [<51> Section 3.1.4](#): This operation is not supported in SharePoint Server 2010.
- [<52> Section 3.1.4](#): This operation is not supported in SharePoint Server 2010.
- [<53> Section 3.1.4](#): This operation is supported only by SharePoint Server 2010 or Search Server 2010.
- [<54> Section 3.1.4](#): This operation is not supported in SharePoint Server 2010.
- [<55> Section 3.1.4](#): Operation is supported only by SharePoint Server 2010 or Search Server 2010.
- [<56> Section 3.1.4](#): This operation is not supported in SharePoint Server 2010.
- [<57> Section 3.1.4](#): Operation is supported only by SharePoint Server 2010 or Search Server 2010.
- [<58> Section 3.1.4.1.3.1](#): FAST Search Server 2010 performs this transformation.
- [<59> Section 3.1.4.1.3.1](#): FAST Search Server 2010 performs this suggestion.
- [<60> Section 3.1.4.1.3.6](#): In SharePoint Server 2010, this element is set to 0.
- [<61> Section 3.1.4.1.3.7](#): This type is not available in SharePoint Server 2010.
- [<62> Section 3.1.4.1.3.8](#): This type is not available in SharePoint Server 2010.
- [<63> Section 3.1.4.6.3.1](#): This timeout is not used by SharePoint Server 2019.
- [<64> Section 3.1.4.7.3.7](#): This type is not available in SharePoint Server 2010.
- [<65> Section 3.1.4.7.3.8](#): This type is not available in SharePoint Server 2010.
- [<66> Section 3.1.4.7.3.9](#): This type is not available in SharePoint Server 2010.
- [<67> Section 3.1.4.7.4.5](#): This type is not available in SharePoint Server 2010.
- [<68> Section 3.1.4.12](#): This operation is only used when the protocol client is running SharePoint Server 2010 or Search Server 2010.
- [<69> Section 3.1.4.13](#): This operation is supported only by SharePoint Server 2010 or Search Server 2010.
- [<70> Section 3.1.4.14](#): Operation is supported only by SharePoint Server 2010 or Search Server 2010.
- [<71> Section 3.1.4.15](#): Operation is supported only by SharePoint Server 2010 or Search Server 2010.
- [<72> Section 3.1.4.16](#): This operation is not supported in SharePoint Server 2010.
- [<73> Section 3.1.4.17](#): This operation is not supported in SharePoint Server 2010.
- [<74> Section 3.1.4.18](#): This operation is not supported in SharePoint Server 2010.

[<75> Section 3.1.4.19](#): This operation is not supported in SharePoint Server 2010.

[<76> Section 3.1.4.20](#): This operation is not supported in SharePoint Server 2010.

[<77> Section 3.1.4.21](#): This operation is not supported in SharePoint Server 2010.

[<78> Section 3.1.4.22](#): This operation is not supported in SharePoint Server 2010.

[<79> Section 3.1.4.23](#): This operation is not supported in SharePoint Server 2010.

Preliminary

9 Change Tracking

This section identifies changes that were made to this document since the last release. Changes are classified as Major, Minor, or None.

The revision class **Major** means that the technical content in the document was significantly revised. Major changes affect protocol interoperability or implementation. Examples of major changes are:

- A document revision that incorporates changes to interoperability requirements.
- A document revision that captures changes to protocol functionality.

The revision class **Minor** means that the meaning of the technical content was clarified. Minor changes do not affect protocol interoperability or implementation. Examples of minor changes are updates to clarify ambiguity at the sentence, paragraph, or table level.

The revision class **None** means that no new technical changes were introduced. Minor editorial and formatting changes may have been made, but the relevant technical content is identical to the last released version.

The changes made to this document are listed in the following table. For more information, please contact dochelp@microsoft.com.

Section	Description	Revision class
8 Appendix C: Product Behavior	Updated list of supported products.	Major

10 Index

A

[Abstract data model server](#) 71
[AggregatedOMQueryLatencyDataBuffer complex type](#) 43
[AggregatedUIQueryLatencyDataBuffer complex type](#) 44
[AlertChangeType simple type](#) 64
[AlertInfo complex type](#) 32
[Applicability](#) 24
[ArrayOfAggregatedOMQueryLatencyDataBuffer complex type](#) 56
[ArrayOfAggregatedUIQueryLatencyDataBuffer complex type](#) 56
[ArrayOfAnyType complex type](#) 32
[ArrayOfBoolean complex type](#) 56
[ArrayOfInt complex type](#) 57
[ArrayOfKeyValueOfIntAggregatedOMQueryLatencyDataBuffer PFsic3Az complex type](#) 45
[ArrayOfKeyValueOfstringAggregatedOMQueryLatencyDataBuffer PFsic3Az complex type](#) 45
[ArrayOfKeyValueOfstringAggregatedUIQueryLatencyDataBuffer PFsic3Az complex type](#) 46
[ArrayOfKeyValueOfstringAnyType complex type](#) 47
[ArrayOfKeyValueOfstringArrayOfKeyValueOfIntAggregatedOMQueryLatencyDataBuffer PFsic3Azty7Ep6D1 complex type](#) 47
[ArrayOfKeyValueOfstringstring complex type](#) 57
[ArrayOfKeyValueOfstringVerboseOMQueryLatencyDataBuffer PFsic3Az complex type](#) 48
[ArrayOfKeyValueOfstringVerboseUIQueryLatencyDataBuffer PFsic3Az complex type](#) 49
[ArrayOfPersonalResultSuggestion complex type](#) 60
[ArrayOfQuerySuggestionQuery complex type](#) 60
[ArrayOfSerializableSecureStoreCredential complex type](#) 60
[ArrayOfstring complex type](#) 32
[ArrayOfVerboseOMQueryLatencyDataBuffer complex type](#) 57
[ArrayOfVerboseQueryErrorDataBuffer complex type](#) 49
[ArrayOfVerboseUIQueryLatencyDataBuffer complex type](#) 58
[ArrayOfVerboseWebPartQueryLatencyDataBuffer complex type](#) 50
[Attribute groups](#) 70
[Attributes](#) 69
[AzureApiConfiguration complex type](#) 61

C

[Capability negotiation](#) 24
[Change tracking](#) 266
[Common data structures](#) 70
[Complex types](#) 27
[AggregatedOMQueryLatencyDataBuffer](#) 43
[AggregatedUIQueryLatencyDataBuffer](#) 44
[AlertInfo](#) 32
[ArrayOfAggregatedOMQueryLatencyDataBuffer](#) 56
[ArrayOfAggregatedUIQueryLatencyDataBuffer](#) 56

[ArrayOfAnyType](#) 32
[ArrayOfBoolean](#) 56
[ArrayOfInt](#) 57
[ArrayOfKeyValueOfIntAggregatedOMQueryLatencyDataBuffer PFsic3Az](#) 45
[ArrayOfKeyValueOfstringAggregatedOMQueryLatencyDataBuffer PFsic3Az](#) 45
[ArrayOfKeyValueOfstringAggregatedUIQueryLatencyDataBuffer PFsic3Az](#) 46
[ArrayOfKeyValueOfstringAnyType](#) 47
[ArrayOfKeyValueOfstringArrayOfKeyValueOfIntAggregatedOMQueryLatencyDataBuffer PFsic3Azty7Ep6D1](#) 47
[ArrayOfKeyValueOfstringstring](#) 57
[ArrayOfKeyValueOfstringVerboseOMQueryLatencyDataBuffer PFsic3Az](#) 48
[ArrayOfKeyValueOfstringVerboseUIQueryLatencyDataBuffer PFsic3Az](#) 49
[ArrayOfPersonalResultSuggestion](#) 60
[ArrayOfQuerySuggestionQuery](#) 60
[ArrayOfSerializableSecureStoreCredential](#) 60
[ArrayOfstring](#) 32
[ArrayOfVerboseOMQueryLatencyDataBuffer](#) 57
[ArrayOfVerboseQueryErrorDataBuffer](#) 49
[ArrayOfVerboseUIQueryLatencyDataBuffer](#) 58
[ArrayOfVerboseWebPartQueryLatencyDataBuffer](#) 50
[AzureApiConfiguration](#) 61
[DataBuffer](#) 33
[DateRefinementInterval](#) 33
[FullTextSqlQueryProperties](#) 34
[HighlightedString](#) 34
[NumericRefinementInterval](#) 34
[OMQueryLatencyDataBuffer](#) 50
[PagingCookie](#) 32
[PersonalResultSuggestion](#) 61
[QueryDataBufferBaseOfAggregatedOMQueryLatencyDataBufferVerboseOMQueryLatencyDataBufferYrv50AqE](#) 50
[QueryDataBufferBaseOfAggregatedUIQueryLatencyDataBufferVerboseUIQueryLatencyDataBufferYrv50AqE](#) 51
[QueryErrorDataBuffer](#) 52
[QueryHealthMonitoringSettings](#) 58
[QueryPersonalizationData](#) 35
[QueryProperties](#) 35
[QuerySuggestionQuery](#) 62
[QuerySuggestionResults](#) 62
[SerializableSecureStoreCredential](#) 63
[SharedSearchBoxSettings](#) 59
[UIQueryLatencyDataBuffer](#) 52
[VerboseOMQueryLatencyDataBuffer](#) 53
[VerboseQueryErrorDataBuffer](#) 53
[VerboseUIQueryLatencyDataBuffer](#) 54

[VerboseWebPartQueryLatencyDataBuffer](#) 55
[WebPartQueryLatencyDataBuffer](#) 55

D

Data model - abstract
[server](#) 71
[DataBuffer complex type](#) 33
[DateRefinementInterval complex type](#) 33

E

Events
[local - server](#) 199
[timer - server](#) 199
Examples
[issue a search query](#) 200
[notify the occurrence of a clickthrough](#) 208
[obtain the click frequency for a given URI](#) 209
[retrieve information about the available search scopes](#) 205

F

[Fields - vendor-extensible](#) 25
[Full WSDL](#) 212
[Full XML schema](#) 230

<http://schemas.datacontract.org/2004/07/Microsoft.BusinessData.Infrastructure.SecureStore.Schema> 260

<http://schemas.datacontract.org/2004/07/Microsoft.Ceres.CoreServices.Utils.Azure.Schema> 260

<http://schemas.datacontract.org/2004/07/Microsoft.Office.SecureStoreService.Server.Schema> 261

<http://schemas.datacontract.org/2004/07/Microsoft.Office.Server.Search.Administration.Schema> 230

<http://schemas.datacontract.org/2004/07/Microsoft.Office.Server.Search.Monitoring.Schema> 231

<http://schemas.datacontract.org/2004/07/Microsoft.Office.Server.Search.Query.Schema> 251

<http://schemas.datacontract.org/2004/07/Microsoft.SharePoint.Administration.Schema> 254

<http://schemas.datacontract.org/2004/07/System.Collections.Generic.Schema> 259

<http://schemas.datacontract.org/2004/07/System.Data.Schema> 260

<http://schemas.microsoft.com/2003/10/Serialization/Schema> 259

<http://schemas.microsoft.com/2003/10/Serialization/Arrays.Schema> 255

<http://tempuri.org/Schema> 231

<http://www.microsoft.com/sharepoint/search/knownTypes/2008/08.Schema> 238
[FullTextSqlQueryProperties complex type](#) 34

G

[Glossary](#) 16
[Groups](#) 69
[guid simple type](#) 68

H

[HighlightedString complex type](#) 34

I

[Implementer - security considerations](#) 211
[Index of security parameters](#) 211
[Informative references](#) 23
Initialization
[server](#) 78
[Introduction](#) 16
[Issue a search query example](#) 200

K

[KeywordInclusion simple type](#) 64

L

Local events
[server](#) 199

M

[Managed property information](#) 73
Message processing
[server](#) 79
Messages
[AggregatedOMQueryLatencyDataBuffer complex type](#) 43
[AggregatedUIQueryLatencyDataBuffer complex type](#) 44
[AlertChangeType simple type](#) 64
[AlertInfo complex type](#) 32
[ArrayOfAggregatedOMQueryLatencyDataBuffer complex type](#) 56
[ArrayOfAggregatedUIQueryLatencyDataBuffer complex type](#) 56
[ArrayOfanyType complex type](#) 32
[ArrayOfboolean complex type](#) 56
[ArrayOfint complex type](#) 57

[ArrayOfKeyValueOfintAggregatedOMQueryLatencyDataBuffer PFsic3Az complex type](#) 45

[ArrayOfKeyValueOfstringAggregatedOMQueryLatencyDataBuffer PFsic3Az complex type](#) 45

[ArrayOfKeyValueOfstringAggregatedUIQueryLatencyDataBuffer PFsic3Az complex type](#) 46
[ArrayOfKeyValueOfstringanyType complex type](#) 47

[ArrayOfKeyValueOfstringArrayOfKeyValueOfintAggregatedOMQueryLatencyDataBuffer PFsic3Az y7Ep6D1 complex type](#) 47
[ArrayOfKeyValueOfstringstring complex type](#) 57

[ArrayOfKeyValueOfstringVerboseOMQueryLatencyDataBuffer PFsic3Az complex type](#) 48

[ArrayOfKeyValueOfstringVerboseUIQueryLatencyDataBuffer PFsic3Az complex type](#) 49
[ArrayOfPersonalResultSuggestion complex type](#) 60
[ArrayOfQuerySuggestionQuery complex type](#) 60
[ArrayOfSerializableSecureStoreCredential complex type](#) 60
[ArrayOfstring complex type](#) 32
[ArrayOfVerboseOMQueryLatencyDataBuffer complex type](#) 57
[ArrayOfVerboseQueryErrorDataBuffer complex type](#) 49
[ArrayOfVerboseUIQueryLatencyDataBuffer complex type](#) 58
[ArrayOfVerboseWebPartQueryLatencyDataBuffer complex type](#) 50
[attribute groups](#) 70
[attributes](#) 69
[AzureApiConfiguration complex type](#) 61
[common data structures](#) 70
[complex types](#) 27
[DataBuffer complex type](#) 33
[DateRefinementInterval complex type](#) 33
[elements](#) 27
[enumerated](#) 27
[FullTextSqlQueryProperties complex type](#) 34
[groups](#) 69
[guid simple type](#) 68
[HighlightedString complex type](#) 34
[KeywordInclusion simple type](#) 64
[namespaces](#) 26
[NumericRefinementInterval complex type](#) 34
[OMQueryLatencyDataBuffer complex type](#) 50
[PagingCookie complex type](#) 32
[PersonalResultSuggestion complex type](#) 61
[QueryAuthenticationType simple type](#) 65

[QueryDataBufferBaseOfAggregatedOMQueryLatencyDataBufferVerboseOMQueryLatencyDataBufferYrv50AqE complex type](#) 50

[QueryDataBufferBaseOfAggregatedUIQueryLatencyDataBufferVerboseUIQueryLatencyDataBufferYrv50AqE complex type](#) 51
[QueryErrorDataBuffer complex type](#) 52
[QueryHealthMonitoringSettings complex type](#) 58
[QueryHint simple type](#) 65
[QueryPersonalizationData complex type](#) 35
[QueryProperties complex type](#) 35
[QuerySuggestionQuery complex type](#) 62
[QuerySuggestionResults complex type](#) 62
[ResultType simple type](#) 66
[SearchProvider simple type](#) 67
[SecureStoreCredentialType simple type](#) 69
[SerializableSecureStoreCredential complex type](#) 63
[SharedSearchBoxSettings complex type](#) 59
[simple types](#) 63

[SPUrlZone simple type](#) 68
[syntax](#) 26
[transport](#) 26
[UIQueryLatencyDataBuffer complex type](#) 52
[VerboseOMQueryLatencyDataBuffer complex type](#) 53
[VerboseQueryErrorDataBuffer complex type](#) 53
[VerboseUIQueryLatencyDataBuffer complex type](#) 54
[VerboseWebPartQueryLatencyDataBuffer complex type](#) 55
[WebPartQueryLatencyDataBuffer complex type](#) 55

N
[Namespaces](#) 26
[Normative references](#) 22
[Notify the occurrence of a clickthrough example](#) 208
[NumericRefinementInterval complex type](#) 34

O
[Object hierarchy](#)
[server](#) 71
[Objects](#)
[ManagedPropertyInformation](#) 73
[QueryMonitoringInformation](#) 74
[ScopeInformation](#) 73
[Obtain the click frequency for a given URI example](#) 209
[OMQueryLatencyDataBuffer complex type](#) 50
[Operations](#)
[Execute](#) 82
[GetClickFrequenciesForUrl](#) 97
[GetImsEndpointAddresses](#) 182
[GetProperties](#) 100
[GetQueryCompletions](#) 185
[GetQueryHealthMonitoringSettings](#) 163
[GetQueryHealthMonitoringSettingsForComponents](#) 169
[GetQuerySuggestions](#) 104
[GetQuerySuggestionsWithResults](#) 166
[GetScopes](#) 106
[GetSearchServiceApplicationInfo](#) 111
[GetSearchTerms](#) 116
[GetTopQueryStringsForUrl](#) 131
[GetZeroTermsQuerySuggestionsWithResults](#) 194
[HighlightStringValue](#) 134
[HighlightStringValueQuerySuggestions](#) 137
[IsUrlMappingCached](#) 190
[IsUrlMappingCachedWithHash](#) 197
[RecordClick](#) 140
[RecordOMQueryDone](#) 172
[RecordOMQueryDoneEvent](#) 148
[RecordPageClick](#) 158
[RecordQueryError](#) 175
[RecordQueryErrorEvent](#) 150
[RecordUIQueryDone](#) 177
[RecordUIQueryDoneEvent](#) 153
[RecordWebPartQueryDone](#) 180
[RecordWebPartQueryDoneEvent](#) 155
[Overview \(synopsis\)](#) 23

P

[PagingCookie complex type](#) 32
[Parameters - security index](#) 211
[PersonalResultSuggestion complex type](#) 61
[Preconditions](#) 24
[Prerequisites](#) 24
[Product behavior](#) 262
 Properties
 [managed](#) 73
 Protocol Details
 [overview](#) 71

Q

[Query monitoring information](#) 74
[QueryAuthenticationType simple type](#) 65
[QueryDataBufferBaseOfAggregatedOMQueryLatencyDataBufferVerboseOMQueryLatencyDataBufferYrv50AqE complex type](#) 50
[QueryDataBufferBaseOfAggregatedUIQueryLatencyDataBufferVerboseUIQueryLatencyDataBufferYrv50AqE complex type](#) 51
[QueryErrorDataBuffer complex type](#) 52
[QueryHealthMonitoringSettings complex type](#) 58
[QueryHint simple type](#) 65
[QueryMonitoringInformation object](#) 74
[QueryPersonalizationData complex type](#) 35
[QueryProperties complex type](#) 35
[QuerySuggestionQuery complex type](#) 62
[QuerySuggestionResults complex type](#) 62

R

[References](#) 22
 [informative](#) 23
 [normative](#) 22
[Relationship to other protocols](#) 24
[ResultType simple type](#) 66
[Retrieve information about the available search scopes example](#) 205

S

[Scope information](#) 73
[ScopeInformation object](#) 73
 Search service application information
 [server](#) 72
[SearchProvider simple type](#) 67
[SecureStoreCredentialType simple type](#) 69
 Security
 [implementer considerations](#) 211
 [parameter index](#) 211
 Sequencing rules
 [server](#) 79
[SerializableSecureStoreCredential complex type](#) 63
 Server
 [abstract data model](#) 71
 [Execute operation](#) 82
 [GetClickFrequenciesForUrl operation](#) 97
 [GetImsEndpointAddresses operation](#) 182
 [GetProperties operation](#) 100
 [GetQueryCompletions operation](#) 185
 [GetQueryHealthMonitoringSettings operation](#) 163
 [GetQueryHealthMonitoringSettingsForComponents operation](#) 169
 [GetQuerySuggestions operation](#) 104

[GetQuerySuggestionsWithResults operation](#) 166
[GetScopes operation](#) 106
[GetSearchServiceApplicationInfo operation](#) 111
[GetSearchTerms operation](#) 116
[GetTopQueryStringsForUrl operation](#) 131
[GetZeroTermsQuerySuggestionsWithResults operation](#) 194
[HighlightStringValue operation](#) 134
[HighlightStringValueQuerySuggestions operation](#) 137
[initialization](#) 78
[IsUrlMappingCached operation](#) 190
[IsUrlMappingCachedWithHash operation](#) 197
[local events](#) 199
[message processing](#) 79
[object hierarchy](#) 71
[RecordClick operation](#) 140
[RecordOMQueryDone operation](#) 172
[RecordOMQueryDoneEvent operation](#) 148
[RecordPageClick operation](#) 158
[RecordQueryError operation](#) 175
[RecordQueryErrorEvent operation](#) 150
[RecordUIQueryDone operation](#) 177
[RecordUIQueryDoneEvent operation](#) 153
[RecordWebPartQueryDone operation](#) 180
[RecordWebPartQueryDoneEvent operation](#) 155
[search service application information](#) 72
[sequencing rules](#) 79
[timer events](#) 199
[timers](#) 78
[SharedSearchBoxSettings complex type](#) 59
[Simple types](#) 63
 [AlertChangeType](#) 64
 [guid](#) 68
 [KeywordInclusion](#) 64
 [QueryAuthenticationType](#) 65
 [QueryHint](#) 65
 [ResultType](#) 66
 [SearchProvider](#) 67
 [SecureStoreCredentialType](#) 69
 [SPUrlZone](#) 68
 [SPUrlZone simple type](#) 68
 [Standards assignments](#) 25
 Syntax
 [messages - overview](#) 26

T

Timer events
 [server](#) 199
 Timers
 [server](#) 78
[Tracking changes](#) 266
[Transport](#) 26
 Types
 [complex](#) 27
 [simple](#) 63

U

[UIQueryLatencyDataBuffer complex type](#) 52

V

[Vendor-extensible fields](#) 25

[VerboseOMQueryLatencyDataBuffer complex type](#) 53
[VerboseQueryErrorDataBuffer complex type](#) 53
[VerboseUIQueryLatencyDataBuffer complex type](#) 54
[VerboseWebPartQueryLatencyDataBuffer complex type](#) 55
[Versioning](#) 24

W

[WebPartQueryLatencyDataBuffer complex type](#) 55
[WSDL](#) 212

X

[XML schema](#) 230

<http://schemas.datacontract.org/2004/07/Microsoft.BusinessData.Infrastructure.SecureStore.Schema> 260

<http://schemas.datacontract.org/2004/07/Microsoft.Ceres.CoreServices.Utils.Azure.Schema> 260

<http://schemas.datacontract.org/2004/07/Microsoft.Office.SecureStoreService.Server.Schema> 261

<http://schemas.datacontract.org/2004/07/Microsoft.Office.Server.Search.Administration.Schema> 230

<http://schemas.datacontract.org/2004/07/Microsoft.Office.Server.Search.Monitoring.Schema> 231

<http://schemas.datacontract.org/2004/07/Microsoft.Office.Server.Search.Query.Schema> 251

<http://schemas.datacontract.org/2004/07/Microsoft.SharePoint.Administration.Schema> 254

<http://schemas.datacontract.org/2004/07/System.Collections.Generic.Schema> 259

<http://schemas.datacontract.org/2004/07/System.Data.Schema> 260

<http://schemas.microsoft.com/2003/10/Serialization.Schema> 259

<http://schemas.microsoft.com/2003/10/Serialization/Arrays.Schema> 255

<http://tempuri.org/> Schema 231

<http://www.microsoft.com/sharepoint/search/knownTypes/2008/08.Schema> 238